



PeerlessBoilers.com

Peerless® Series GM™ -e-07

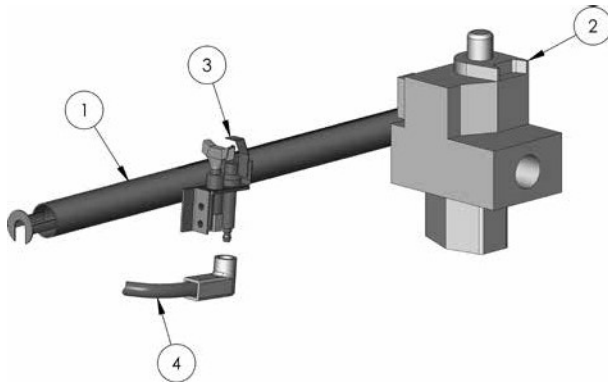
All repair parts orders - no minimum charges.

Please order with code number.

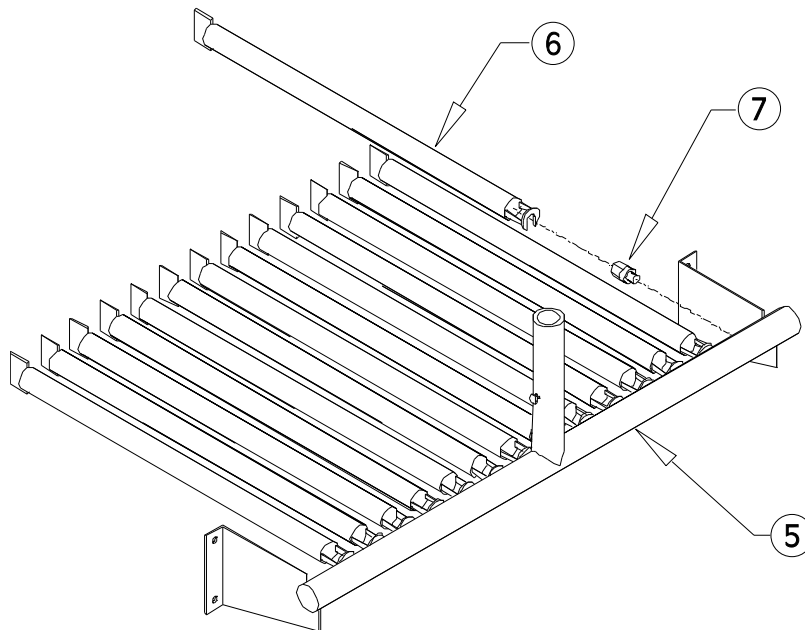
All prices quoted are in U.S. dollars.

All prices subject to change without notice.

All prices F.O.B. Bally, PA



Gas Valve and Pilot, Intermittent Ignition, Current





PeerlessBoilers.com

Peerless® Series GM™ -e-07

All repair parts orders - no minimum charges.

Please order with code number.

All prices quoted are in U.S. dollars.

All prices subject to change without notice.

All prices F.O.B. Bally, PA

	Description	Quantity Required	Stock Code
1	Main Burner w/ Pilot Bracket	1	50163
2	Honeywell VR8304M4002 3/4"Gas Valve – Natural Gas	1	50589
	Honeywell VR8304P-4314 Gas Valve – LP Gas	1	50724
3	Honeywell Q3481B1644/B .024 w/Cable - Pilot Assembly NAT-SPRK	1	50996
	Honeywell 3481B1529/B .016 AB – w/Cable Pilot Assembly LP - SPRK	1	50997
4	Honeywell Ignition Control - S86610M3009 NAT, ⚡	1	50672

	Description	Quantity Required	Stock Code
-	Kit GM--07, Gas Conversion Kit – FROM SPRK-LP TO SPRK-N, Current	⚡	91106
-	Kit GM--07, Gas Conversion Kit – FROM SPRK-N TO SPRK-LP, Current	⚡	91107
5	Gas Manifold	1	50714
6	Main Burner	13	50192
N/S	Spill Switch	1	50042
N/S	Burner Retention Clip	1	51540
7	Orifice Spud, #42 – Natural Gas	12	7159
	Orifice Spud, #42 – LP Gas	12	7066



PeerlessBoilers.com

Peerless® Series GM™ -e-07

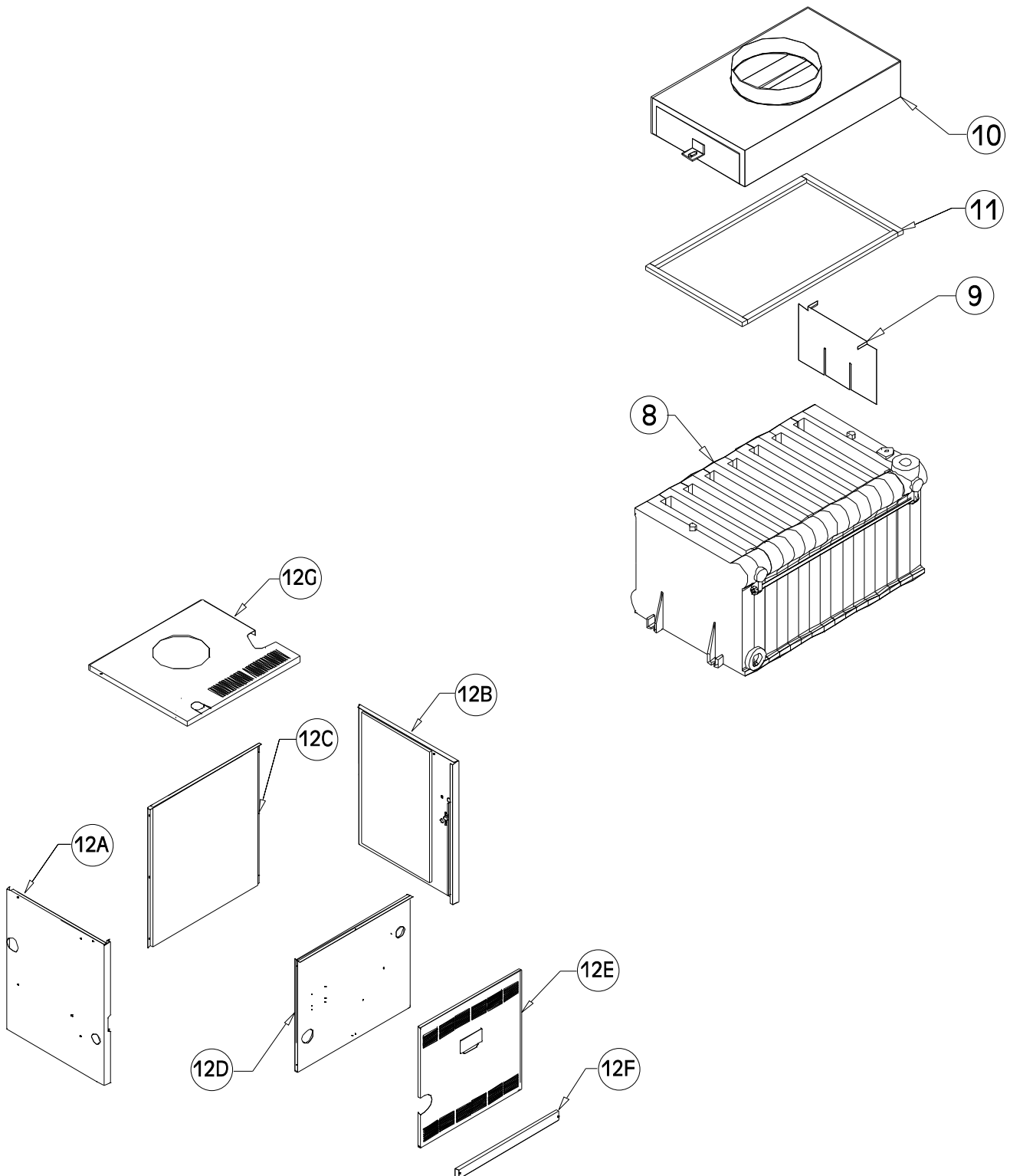
All repair parts orders - no minimum charges.

Please order with code number.

All prices quoted are in U.S. dollars.

All prices subject to change without notice.

All prices F.O.B. Bally, PA





PeerlessBoilers.com

Peerless® Series GM™ -e-07

All repair parts orders - no minimum charges.

Please order with code number.

All prices quoted are in U.S. dollars.

All prices subject to change without notice.

All prices F.O.B. Bally, PA

	Description	Quantity Required	Stock Code
1	Base (Complete Base, Includes Insulation and Hardware)	1	51085
	Access Panel	1	91268
3	Base Blanket Seal (7Ft.) ** Priced Per foot **	7	50867
	Block	1	91043
9	Flue Baffle, Qty. (6)	1	51616
10	Flue Collector – (requires 6' of Blanket Strips Item #11)	1	91087
11	Flue Collector Blanket Seal, (7Ft.) ** Priced Per foot **	7	50866
N/S	Base Seal, (7Ft.) ** Priced Per foot **	7	50867
12	Jacket Assembly (Complete Jacket*)	1	90467
	*Complete Jacket Consists of:		
12A	Left Side Panel		
12B	Right Side Panel		
12C	Rear Panel		
12D	Inner Front Panel		
12E	Removable Front Panel		
12F	Lower Front Panel		
12G	Top Panel		



PeerlessBoilers.com

Peerless® Series GM™ -e-07

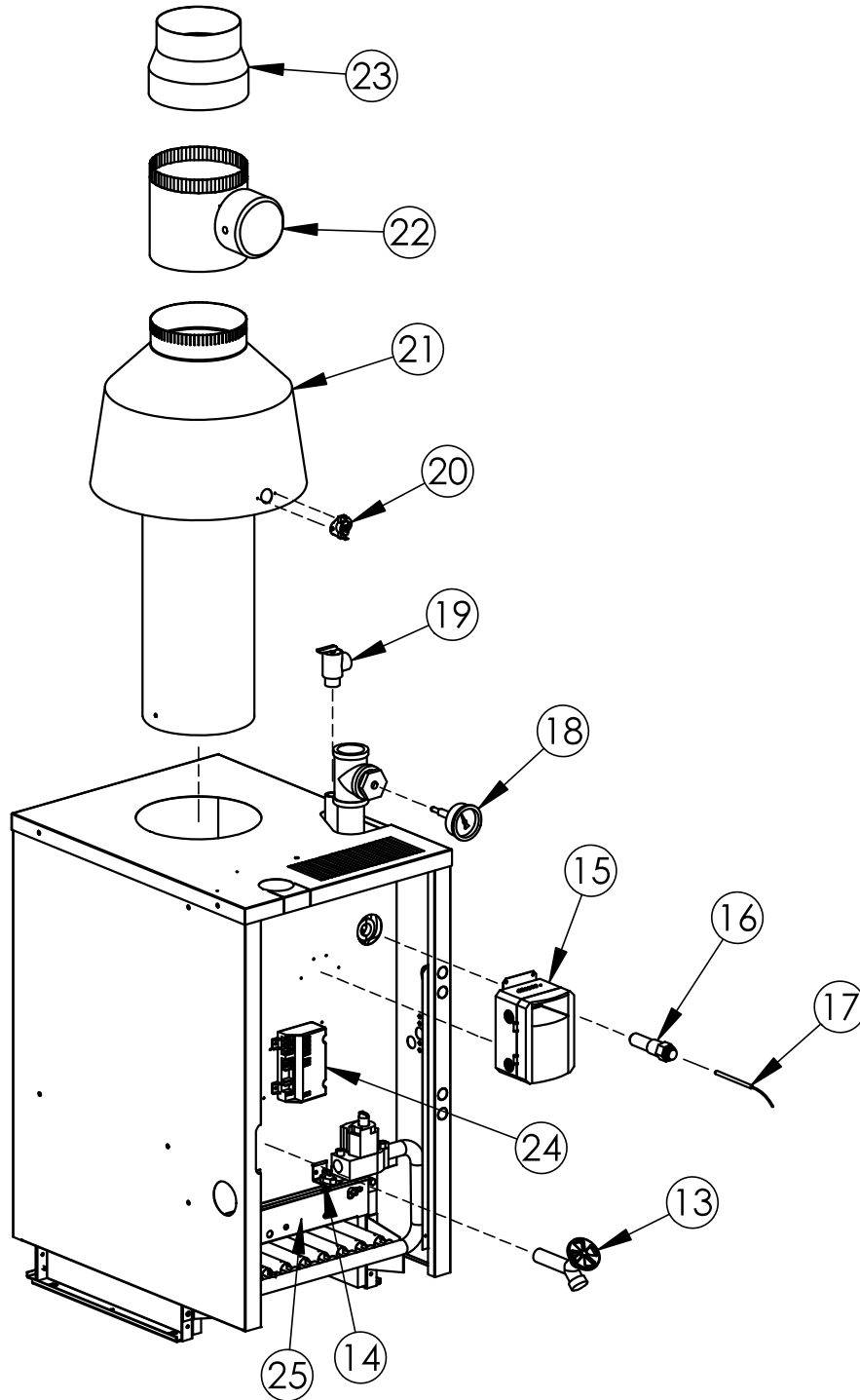
All repair parts orders - no minimum charges.

Please order with code number.

All prices quoted are in U.S. dollars.

All prices subject to change without notice.

All prices F.O.B. Bally, PA





PeerlessBoilers.com

Peerless® Series GM™ -e-07

All repair parts orders - no minimum charges.

Please order with code number.

All prices quoted are in U.S. dollars.

All prices subject to change without notice.

All prices F.O.B. Bally, PA

	Description	Quantity Required	Stock Code
13	Drain Valve Howe DV22-01-01	1	50764
14	Flame Rollout Safety Shutoff Switch	1	51587
N/S	Transformer RIB TR40VA001 120/24 40VA	1	50791
15	Honeywell L4080B-1261 Limit, (Earlier Models Only)	☼	50539
	Limit Control, Hydrolevel HydroStat 3200, with sensor	1	50334
16	Well 3/4" NPT Well Std Length, (Earlier Models Only)	☼	50723
16	Immersion Well, Hydrolevel	1	50723
17	Sensor, Hydrolevel	1	54522
18	Temperature-Pressure Gage [30, 50 PSI (207 kPa, 345 kPa) safety relief valve]	1	51324
	Temperature-Pressure Gage [80, 100 PSI (552 kPa, 689 kPa) safety relief valve]	☼	55846
19	Safety Relief Valve, 30 PSI (207 kPa)	1	50501
	Safety Relief Valve, 50 PSI (345 kPa)	☼	51028
	Safety Relief Valve, 80 PSI (552 kPa)	☼	54495
	Safety Relief Valve, 100 PSI (689 kPa)	☼	50118
20	Blocked Vent Spill Switch, 250°F (Vent Safety Shutoff)	1	50042
21	10" Diameter Draft Hood Current	1	90997
22	10" Automatic Vent Dampers	1	50168
24	Ignition Control -HW, SS8610M-1024, NAT, ☼	1	50672
25	Burner Access Panel – GM-07	1	91268
–	Conversion Kit, GM From SPRK LP TO SPRK N	1	91106
–	Conversion Kit, GM From SPRK N TO SPRK LP	1	91107