



PeerlessBoilers.com

Peerless® PUREFIRE®

PF-850, PF-1000 & PF-1500

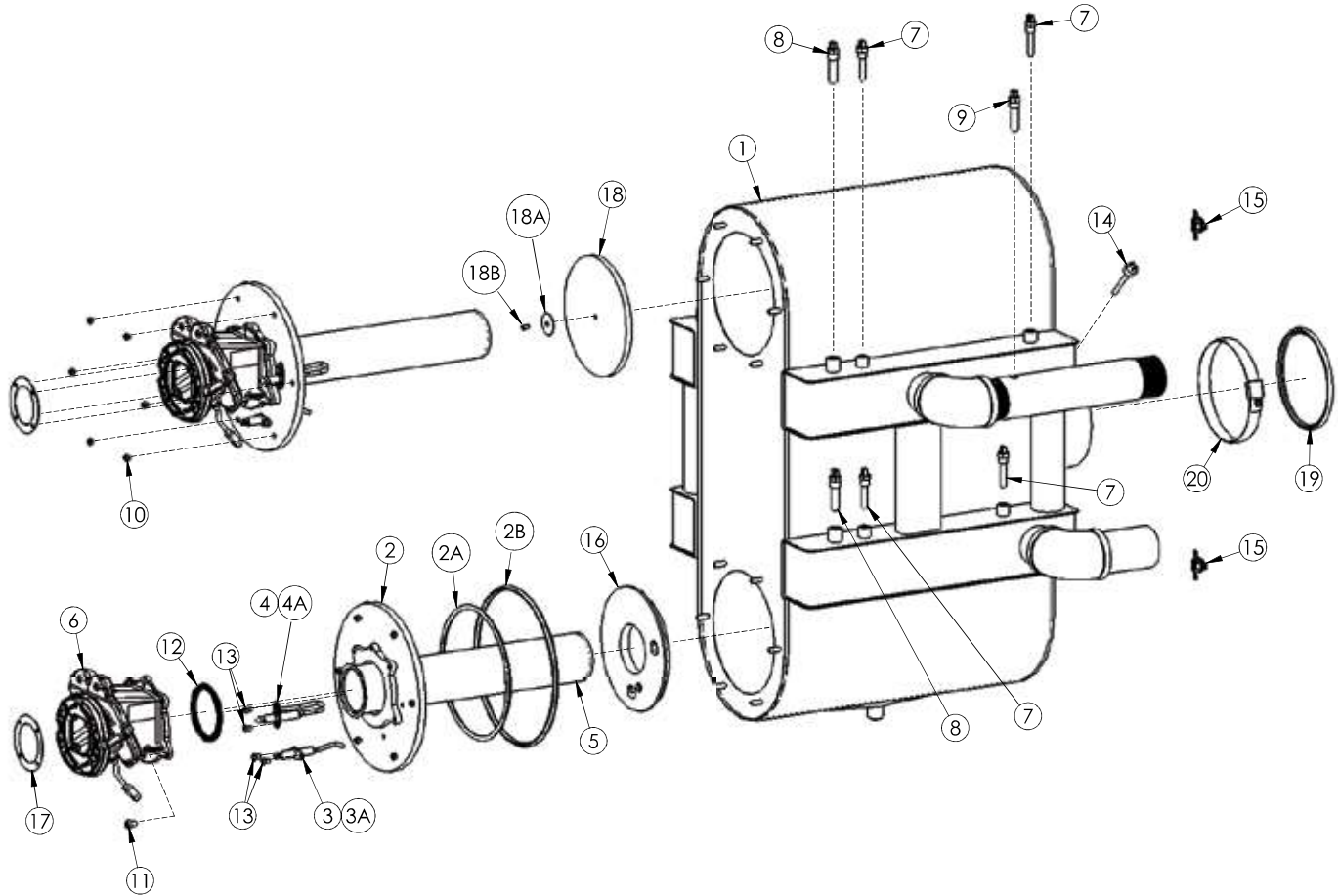
All repair parts orders - no minimum charges.

Please order with code number.

All prices quoted are in U.S. dollars.

All prices subject to change without notice.

All prices F.O.B. Bally, PA



PF-850, PF-1000 & PF-1500



PeerlessBoilers.com

Peerless® PUREFIRE®

PF-850, PF-1000 & PF-1500

All repair parts orders - no minimum charges.

Please order with code number.

All prices quoted are in U.S. dollars.

All prices subject to change without notice.

All prices F.O.B. Bally, PA

	Description	Quantity Required	Stock Code
1	Heat Exchanger – PF-850, for Price Reference Only	1	5651
	Heat Exchanger – PF-1 000, for Price Reference Only	1	5652
	Heat Exchanger – PF-1 500, for Price Reference Only	1	5703
2	Burner Mounting Plate , includes items 2A & 2B	2	54430
2A	Burner Mounting Plate Rubber Rope , included with item 2	2	-
2B	Burner Mounting Plate Rubber Gasket , included with item 2	2	54655
3	Kit Replacement Gianonni Sensor	2	54699
3A	Graphite Gasket, Flame Sensor Electrode	2	54124
4	Kit Replacement Gianonni Igniter	2	54698
4A	Graphite Gasket, Ignition Electrode	2	54123
5	Burner Element (Blue Jet) - PF-850	2	54656
	Burner Element (Blue Jet) - PF-1000	2	54679
	Burner Element (Blue Jet) - PF-1500	2	54657
	Burner Element (MESH) - PF-850/1000 obsolete	2	54433
	Burner Element (MESH) - PF-1500 obsolete, NLA	2	54624
6	Flapper Valve Assembly - PF-850/1000	2	54434
	Flapper Valve Assembly - PF-1500	2	54625
7	Supply / Return Sensor - 1/8" NPT 12 kΩ	4	54438
8	High Limit Switch – 1/4" NPT	2	54419
9	Header Supply Sensor – 1/4" NPT	1	54418
10	Hex. Flange Nut M6 Fine Thread, (Local Hdw Supply)	12	-
11	Screw M5-0.80 x 16 mm Zinc Plated, Flapper Valve Screw ,(Local Hdw Supply)	10	-
12	Burner Gasket	2	54467
13	Screw M4 x 8 mm Zinc Plated, Ignitor/Flame Sensor Screw, (Local Hdw Supply)	4	-
14	Flue Temperature Sensor - 1/4" BSP 12 kΩ	1	54111
15	Thermal Fuse - 318 C, 605 F	2	54466
16	Burner Mounting Plate Insulation - PF-850/1000	2	54653
	Burner Mounting Plate Insulation - PF-1500	2	54654
17	Blower Gasket - PF-850/1000	2	54504
	Blower Gasket - PF-1500	2	54505
18	Target Insulation	2	54185
18A	Target Insulation Washer M4 SS Fender ,(Local Hdw Supply)	2	-
18B	Target Insulation Screw M4 x 16 SS ,(Local Hdw Supply)	2	-
19	Exhaust Vent Gasket - 6" PF-850/1000	2	54658
	Exhaust Vent Gasket - 7" PF-1500	2	54659
20	Exhaust Vent Clamp - 6" PF-850/1000	2	54660
	Exhaust Vent Clamp - 7" PF-1500	2	54661
N/S	2" X 1", w/ 1/4" Tap, Relief Valve and Gauge, Brass Tee (PF-850 & 1000)	1	5744
N/S	2 1/2" X 1 1/4", w/ 1/4" Tap, Relief Valve and Gauge, Brass Tee (PF-1500)	1	5854



PeerlessBoilers.com

Peerless® PUREFIRE®

PF-850, PF-1000 & PF-1500

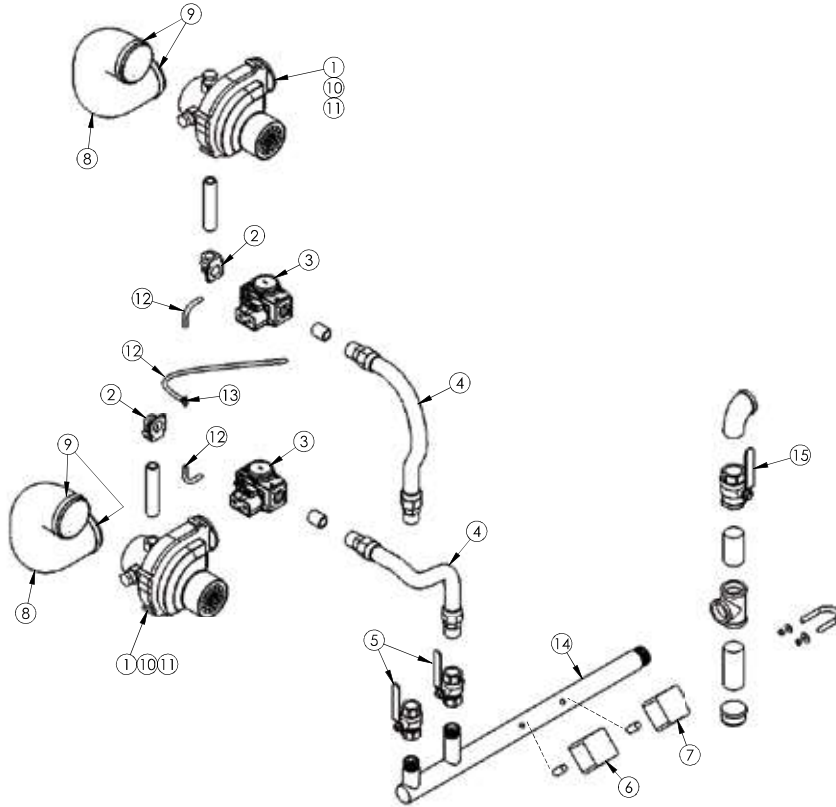
All repair parts orders - no minimum charges.

Please order with code number.

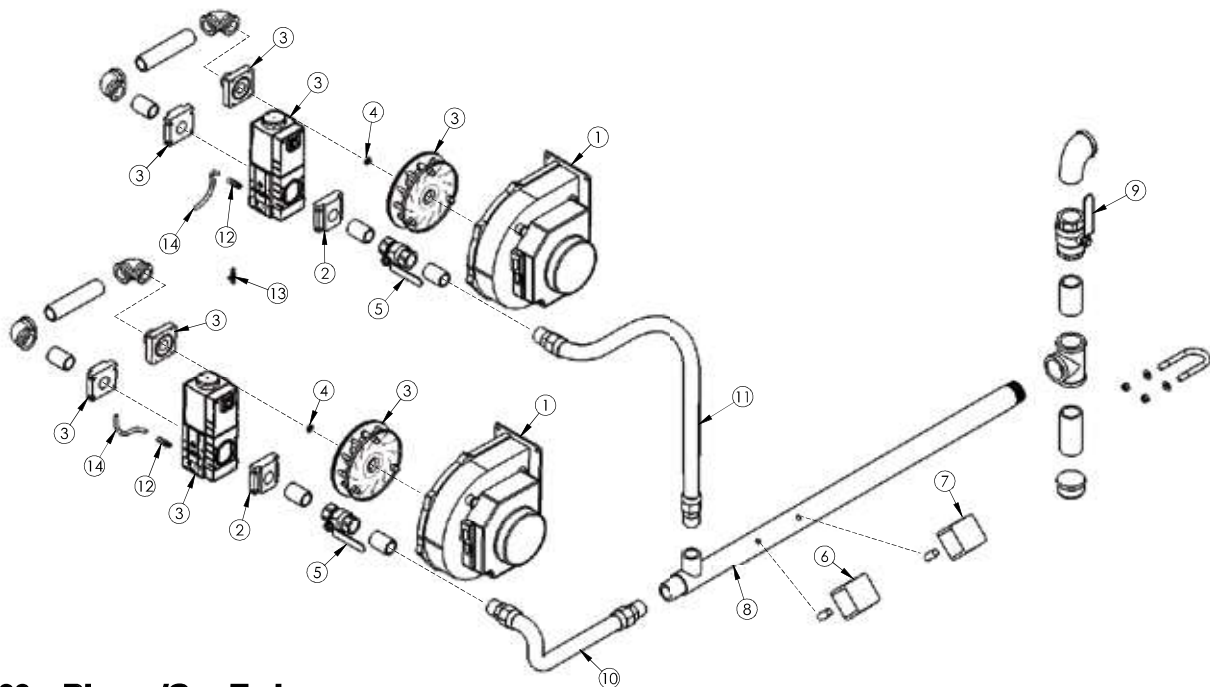
All prices quoted are in U.S. dollars.

All prices subject to change without notice.

All prices F.O.B. Bally, PA



PF-850/1000 – Blower/Gas Train



PF-1500 – Blower/Gas Train



PeerlessBoilers.com

Peerless® PUREFIRE®

PF-850, PF-1000 & PF-1500

All repair parts orders - no minimum charges.

Please order with code number.

All prices quoted are in U.S. dollars.

All prices subject to change without notice.

All prices F.O.B. Bally, PA

PF-850, PF-1000 – Blower/Gas Train

	Description	Quantity Required	Stock Code
1	Blower - PF-850/1000	2	54428
2	3/4" NPT Flanged Elbow	2	5543
3	Gas Valve GB-057	2	54429
4	1" NPT x 18" Flexible Gas Hose	2	54439
5	1" NPT Gas Shutoff Valve	2	51703
6	Low Gas Pressure Switch, (Local Supply)	1	50700
7	High Gas Pressure Switch, (Local Supply)	1	50701
8	3" Flexible Air Inlet Hose	7.5 ft	54444
9	4" Hose Clamp	4	54443
10	Socket Head Cap Screw M5-0.80 x 12 mm, (Local Hdwr Supply)	6	-
11	Hex Head Cap Screw M5-0.80 x 12 mm, (Local Hdwr Supply)	2	-
12	1/8" ID Reference Tube,	5 ft	1052
13	1/8" Hose Tee, (Local Hdwr Supply)	-	-
14	1-1/4" Gas Inlet Header, PF850	1	54473
14	1-1/4" Gas Inlet Header, PF1000	1	54474
15	1-1/4" Ball Valve	1	
N/S	1-1/4" Gas Regulator, (When Used)	1	50647

PF-1500 – Blower/Gas Train

	Description	Quantity Required	Stock Code
1	Combustion Air Blower - PF-1500	2	54595
2	Gas Valve Inlet Flange 1" NPT	2	54601
3	Gas Valve w/Shutter, Swirl Plate & Adapter	2	54598
4	Gas Valve Nozzle 12 MM	2	54602
5	1" NPT Gas Shutoff Valve	2	51703
6	Low Gas Pressure Switch, (Local Supply)	1	50700
7	High Gas Pressure Switch, (Local Supply)	1	50701
8	1-1/2" Gas Inlet Header, PF1500	1	54647
9	1-1/2" Ball Valve	2	51705
10	1" NPT x 16" Flexible Gas Line	2	54439
11	1" NPT x 36" Flexible Gas Line	2	54612
12	1/8" BSP x 1/8" Tube Adapter	2	5766
13	1/8" x 1/8" x 1/4" Barb Tee, (Local Hdwr Supply)	1	-
14	1/8" ID Reference Tube	2 ft	1052
N/S	1-1/2" Gas Regulator, (When Used)	1	50646
N/S	2" Gas Regulator, (When Used)	1	50648



PeerlessBoilers.com

Peerless® PUREFIRE®

PF-850, PF-1000 & PF-1500

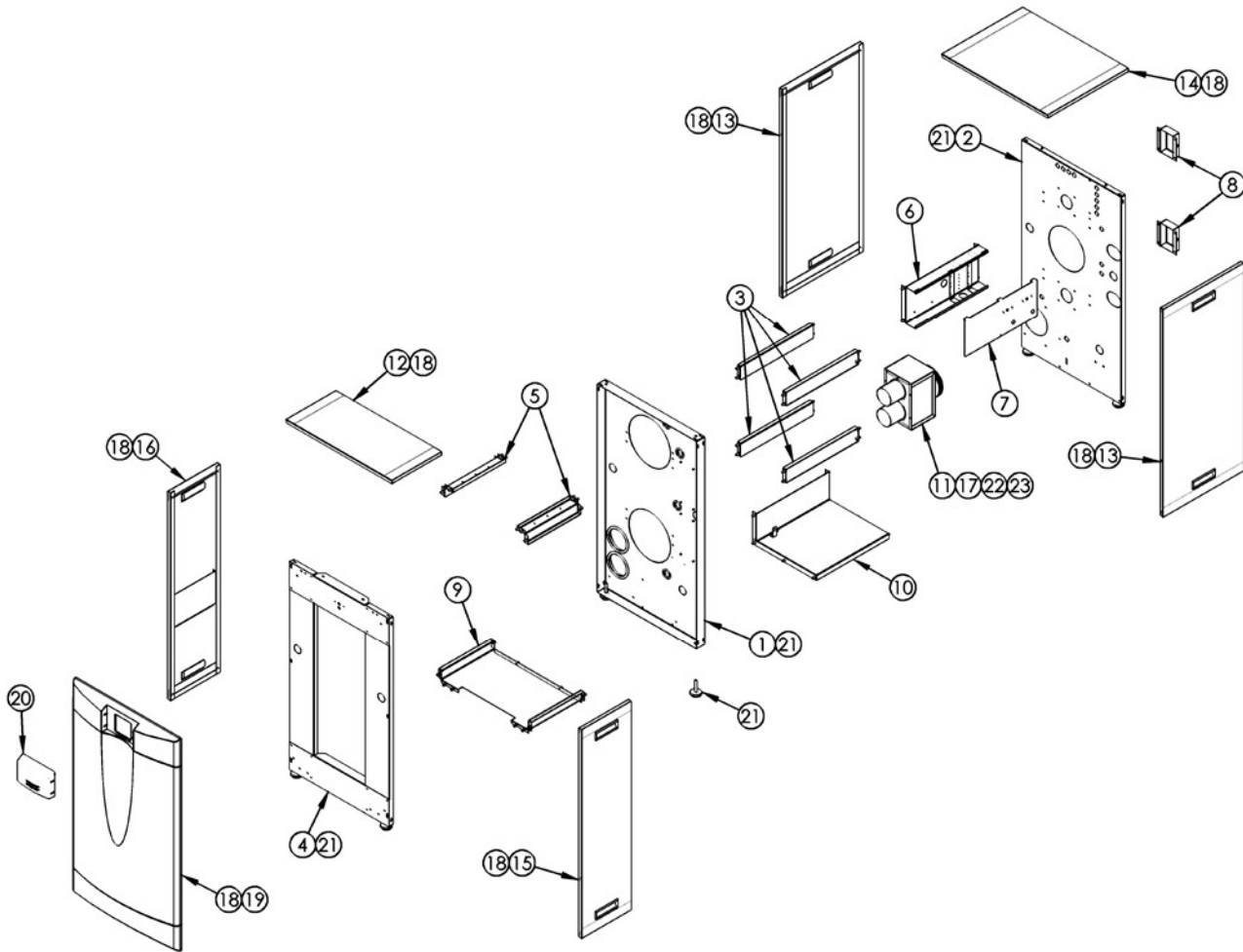
All repair parts orders - no minimum charges.

Please order with code number.

All prices quoted are in U.S. dollars.

All prices subject to change without notice.

All prices F.O.B. Bally, PA



PF-850, PF-1000 & PF-1500



PeerlessBoilers.com

Peerless® PUREFIRE®

PF-850, PF-1000 & PF-1500

All repair parts orders - no minimum charges.

Please order with code number.

All prices quoted are in U.S. dollars.

All prices subject to change without notice.

All prices F.O.B. Bally, PA

	Description	Quantity Required	Stock Code
1	Heat Exchanger Support Panel – Front	1	PF2016
		1	PF2037
2	Heat Exchanger Support Panel – Rear – PF-850, PF-1 000	1	PF2017
	Heat Exchanger Support Panel – Rear – PF-1500	1	PF2038
3	Heat Exchanger Support Rails – PF-850	4	PF2018
	Heat Exchanger Support Rails – PF-1 000	4	PF2018-1
	Heat Exchanger Support Rails – PF-1 500	4	PF2018-2
4	Blower Cabinet Frame Assembly – PF-850, PF-1 000	1	PF2027
	Blower Cabinet Frame Assembly – PF-1500	1	PF2027-1
5	Blower Cabinet Support Rails – PF-850, PF-1 000	2	PF2026
	Blower Cabinet Support Rails – PF-1500	2	PF2026-1
6	Electrical Terminal Enclosure – PF-850	1	PF2029
	Electrical Terminal Enclosure – PF-1 000	1	PF2029-1
	Electrical Terminal Enclosure – PF-1500	1	PF2029-2
7	Terminal Enclosure Cover – PF-850	1	PF2030
	Terminal Enclosure Cover – PF-1000	1	PF2030-1
	Terminal Enclosure Cover – PF-1500	1	PF2030-2
8	Thermal Fuse Cover	2	PF2031
9	Blower Cabinet Floor Pan – PF-850, PF-1000	1	PF2033
	Blower Cabinet Floor Pan – PF-1 500	1	PF2039
10	Condensate System Tray – PF-850	1	PF5027
	Condensate System Tray – PF-1000	1	PF5027-1
	Condensate System Tray – PF-1500	1	PF5027-2
11	Air Inlet Plenum Assembly - PF-850/1000	1	PF5044
	Air Inlet Plenum Base - PF-1500	1	PF5051
11A	Air Inlet Plenum Cover - PF-1500	1	PF5052
12	Blower Cabinet Top Panel - PF-850/1000	1	PF6069
	Blower Cabinet Top Panel - PF-1500	1	PF6069-1
13	Side Heat Exchanger Access Panel - PF-850	4	PF6064
	Side Heat Exchanger Access Panel - PF-1000	4	PF6064-1
	Side Heat Exchanger Access Panel - PF-1500	4	PF6064-2
14	Top Heat Exchanger Access Panel - PF-850	1	PF6066
	Top Heat Exchanger Access Panel - PF-1000	1	PF6066-1
	Top Heat Exchanger Access Panel - PF-1500	1	PF6066-2
15	Blower Cabinet Right Side Panel - PF-850/1000	1	PF6067
	Blower Cabinet Right Side Panel - PF-1500	1	PF6067-2
16	Blower Cabinet Left Side Panel - PF-850/1000	1	PF6067-1
	Blower Cabinet Left Side Panel - PF-1500	1	PF6067-3
17	Air Inlet Screen - PF-850/1000	1	54447
18	Ball Studs	38	5433
19	Front Cover Panel	2	54292
20	Control Lens	1	54127
21	Leveling Legs	1	5659
22	1/4" Rubber Grommet	1	6158



PeerlessBoilers.com

Peerless® PUREFIRE®

PF-850, PF-1000 & PF-1500

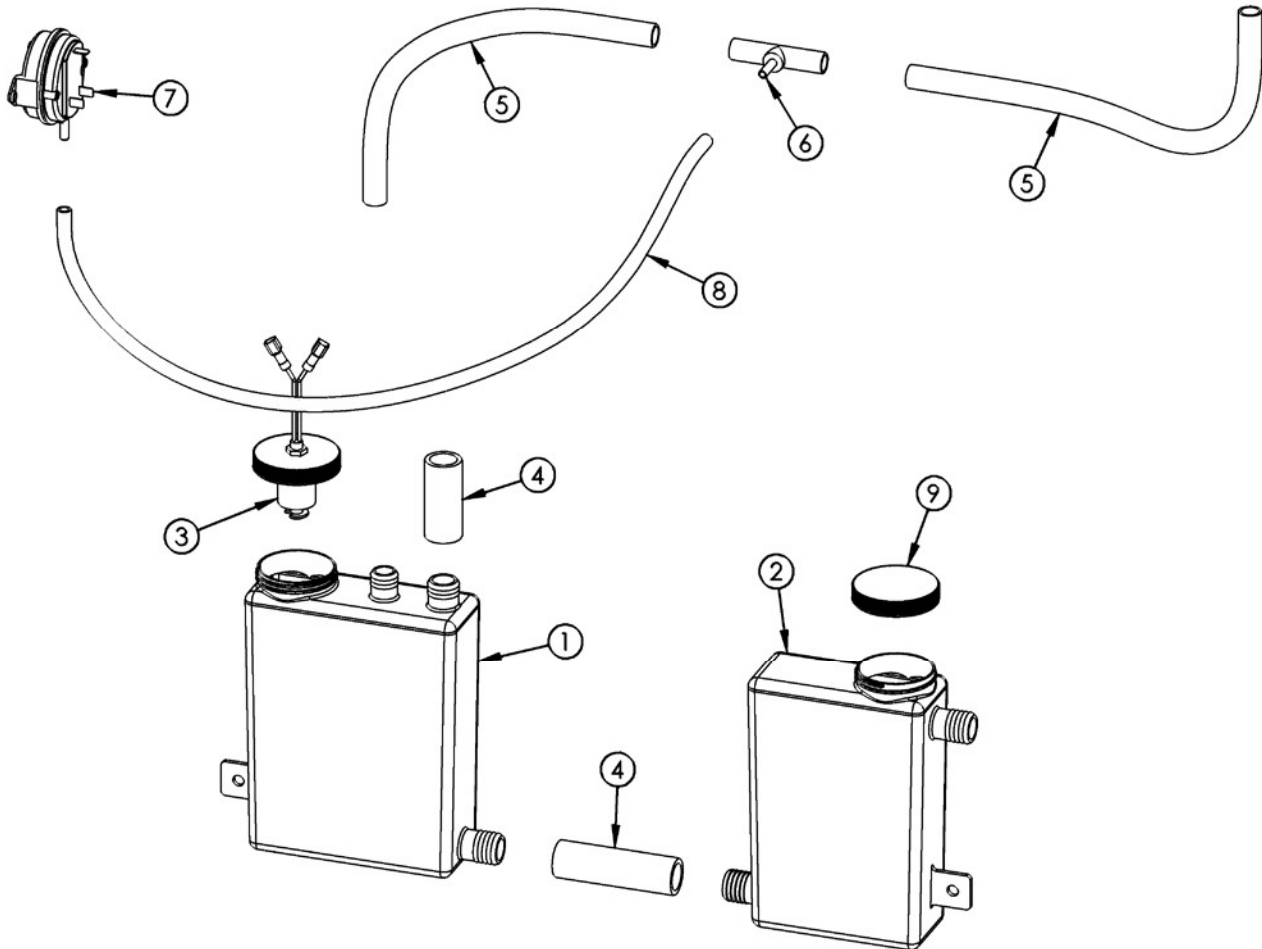
All repair parts orders - no minimum charges.

Please order with code number.

All prices quoted are in U.S. dollars.

All prices subject to change without notice.

All prices F.O.B. Bally, PA



PF-850, PF-1000 & PF-1500 – Condensate System



PeerlessBoilers.com

Peerless® PUREFIRE®

PF-850, PF-1000 & PF-1500

All repair parts orders - no minimum charges.

Please order with code number.

All prices quoted are in U.S. dollars.

All prices subject to change without notice.

All prices F.O.B. Bally, PA

PF-850 – PF-1500 – Condensate System

	Description	Quantity Required	Stock Code
1	Condensate Receiver Container	1	54120
2	Condensate Neutralizer Container	1	54121
3	Condensate Blocked Drain Switch	1	54137
4	1" OD x 3/4" ID PVC Condensate Hose	3 in	5417
5	5/8" OD x 1/2" ID PVC Condensate Hose	4 ft	5416
6	5/8" x 5/8" x 1/4" Hose Barb Tee	1	5665
7	Blocked Vent Pressure Switch	1	54208
8	1/4" ID PVC Tubing	2 ft	5563

PF-850, PF-1000 & PF-1500 – Miscellaneous Parts – Loose

	Description	Quantity Required	Stock Code
1	Relief Valve - PF-850	1	51300
	Relief Valve - PF-1000	1	51301
	Relief Valve - PF-1500	1	51302
2	Temperature/Pressure Gauge	1	51324
3	6" Stainless Steel Boot Tee with Test Port	1	5680
	7" Stainless Steel Boot Tee with Test Port	1	5747
4	6" Stainless Steel Drain Fitting	1	5681
	7" Stainless Steel Drain Fitting	1	5748
5	6" Stainless Steel x 6" PVC Adapter	1	5682
	7" Stainless Steel x 8" PVC Adapter	1	5749
6	6" Diameter Exhaust/Air Intake Screen	1	54446
7	Stacking Spacer	6	1457
8	Outdoor Sensor	1	54112
9	DHW Sensor, Optional (PP Partner) 12kOhm Tasseron TSK1 0BH	1	54157
	DHW Sensor, Optional (PT Partner) 12kOhm Tasseron TSK10B7	1	54478
	DHW Sensor, Optional (Amtrol) 12kOhm Tasseron TSK10B7	1	54158
10	Condensate Neutralizing Media (1 lb bag)	2	54159



PeerlessBoilers.com

Peerless® PUREFIRE®

PF-850, PF-1000 & PF-1500

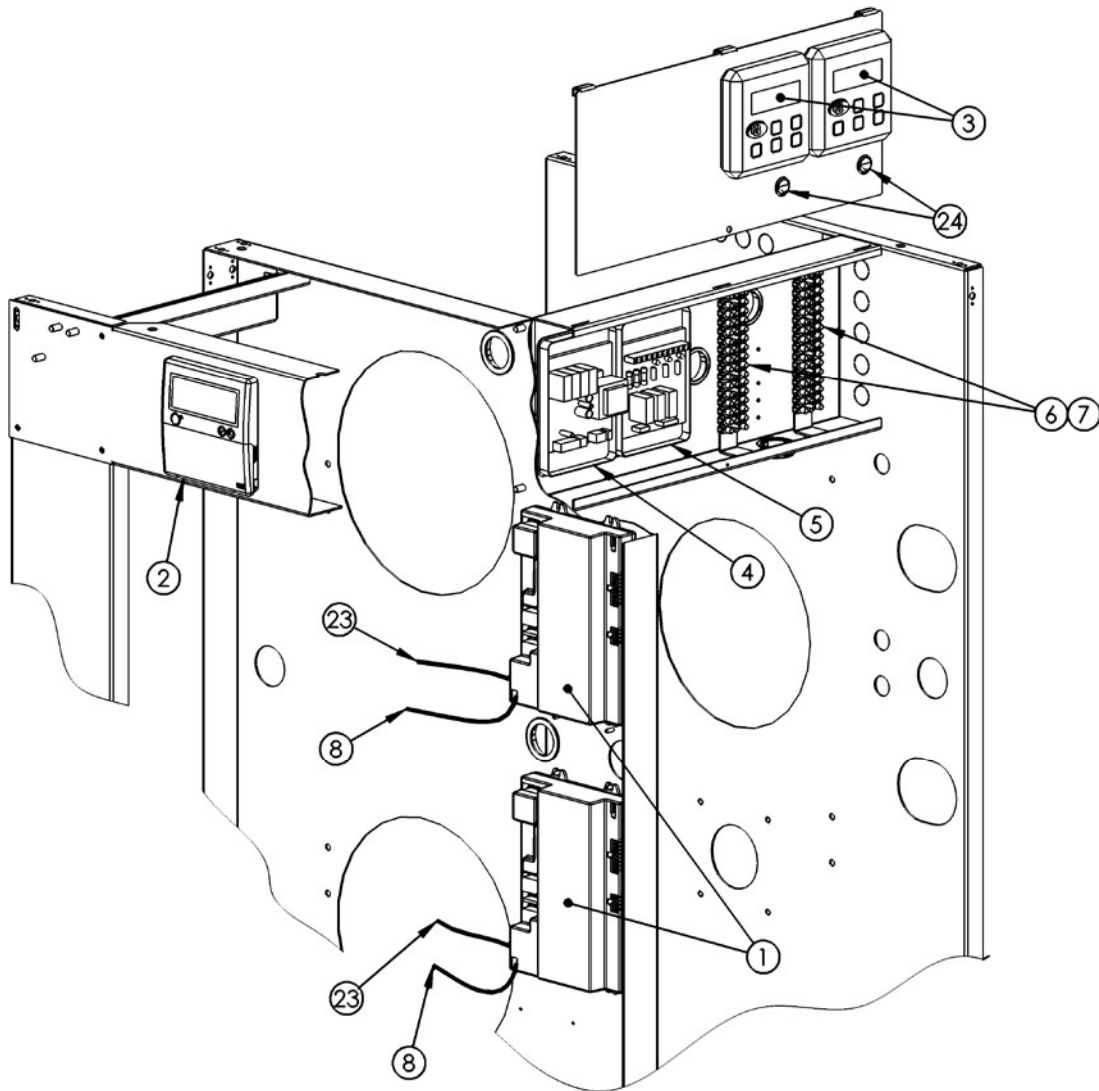
All repair parts orders - no minimum charges.

Please order with code number.

All prices quoted are in U.S. dollars.

All prices subject to change without notice.

All prices F.O.B. Bally, PA





PeerlessBoilers.com

Peerless® PUREFIRE®

PF-850, PF-1000 & PF-1500

All repair parts orders - no minimum charges.

Please order with code number.

All prices quoted are in U.S. dollars.

All prices subject to change without notice.

All prices F.O.B. Bally, PA

	Description	Quantity Required	Stock Code
1	Primary Burner Safety Control - PF-850	2	54468
	Primary Burner Safety Control - PF-1000	2	54469
	Primary Burner Safety Control - PF-1500	2	54613
2	User Interface Pixel Display	1	54441
3	Installer Interface LED Display	2	54689
4	Interface Module	1	54442
5	3 module Relay w/ 3 Fuses, Obsolete	1	54437
	Pump Relay Module 10 Amp 4 module Relay w/ 2 Fuses,	1	54556
N/S	10-Amp 125V 5x20mm Slow Blow Fuse, Radio Shack-270-152	-	-
6	Terminal Block - 10 Pole	2	5450
7	Terminal Block - 6 Pole	2	5547
8	Ignition Cable with 1KΩ Resistor	2	54298
9	Harness J5M Managing Control Sensors PF-850/1000*	1	54448
	Harness J5M Managing Control Sensors PF-1500*	1	54614
10	Harness J5D Dependent Control Sensors PF-850/1000*	1	54449
	Harness J5D Dependent Control Sensors PF-1500*	1	54615
11	Harness J16M Managing Flapper/Limits PF-850/1000*	1	54450
	Harness J16M Managing Flapper/Limits PF-1500*	1	54616
12	Harness J16D Dependent Flapper/Limits*	1	54451
13	Harness J2M Managing Control/Blower Power PF-850/1000*	1	54452
	Harness J2M Managing Control/Blower Power PF-1500*	1	54617
14	Harness J2D Dependent Control/Blower Power PF-850/1000*	1	54453
	Harness J2D Dependent Control/Blower Power PF-1500*	1	54618
15	Harness J13M Managing Gas Valve/Flame Sensor/Limit PF-850/1000*	1	54454
	Harness J13M Managing Gas Valve/Flame Sensor/Limit PF-1500*	1	54619
16	Harness J13D Dependent Gas Valve/Flame Sensor/Limit PF-850/1000*	1	54455
	Harness J13D Dependent Gas Valve/Flame Sensor/Limit PF-1500*	1	54620
17	Harness J7 General Circulator PF-850/1000*	1	54456
	Harness J7 General Circulator PF-1500*	1	54621
18	Harness J6M Managing CH/DHW Circulator*	2	54457
19	Harness Line Voltage Terminal Strip/Power Switch PF-850/1000*	1	54587
	Harness Line Voltage Terminal Strip/Power Switch PF-1500*	1	54622
20	Harness J9 Blower Control PF-850/1000*	2	54459
	Harness J9 Blower Control PF-1500*	2	54623
21	Harness Managing Thermal Fuse w/Conduit*	1	54460
22	Harness Dependent Thermal Fuse w/Conduit*	1	54461
23	Harness Ground	2	PF7009
24	Rocker Switch, (Local Hdwr Supply)	2	6050