



PeerlessBoilers.com

# Peerless® PINNACLE®

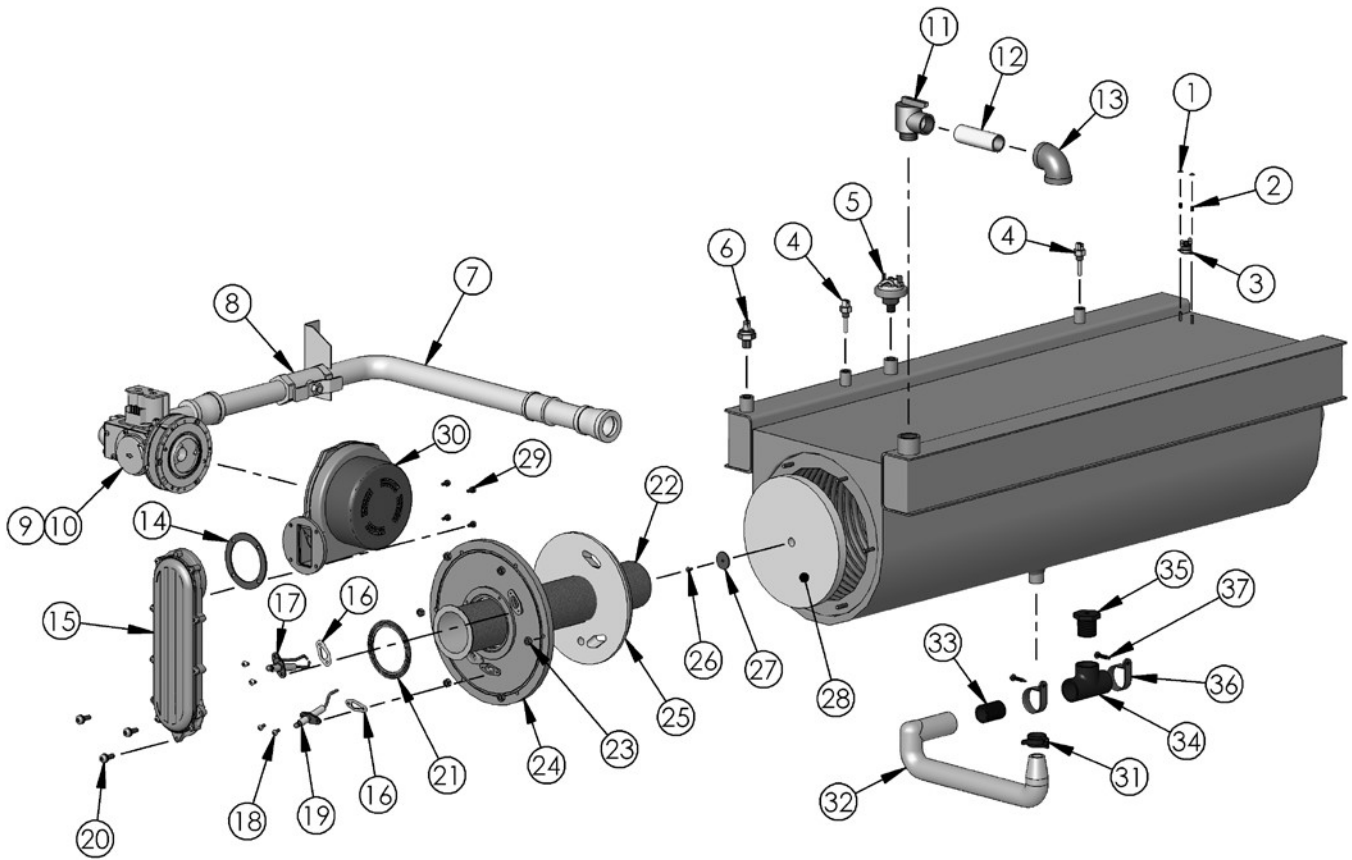
All repair parts orders - no minimum charges.

Please order with code number.

All prices quoted are in U.S. dollars.

All prices subject to change without notice.

All prices F.O.B. Bally, PA



PI-399



PeerlessBoilers.com

# Peerless® PINNACLE®

All repair parts orders - no minimum charges.

Please order with code number.

All prices quoted are in U.S. dollars.

All prices subject to change without notice.

All prices F.O.B. Bally, PA

## PI-399

	Description	Quantity Required	Stock Code
1	Spring Clip, (Local Hdwr Supply)	2	-
3	Flue Limit Switch	1	91429
4	Temperature Sensor, Thermistor	2	91532
5	Water Pressure Switch, Welded Header, Tapered Thread	1	91609
6	Water Temperature Limit Switch	1	91410
7	1" Gas Piping Assembly w/ Mtg Plate – REV 2	1	91584
	1" Gas Piping Assembly w/ Mtg Plate (includes #'s 8, 9 & 10) – REV 0, REV 1	1	91537
8	1" Gas Shut Off Valve, Full Port (Local Hdwr Supply)	1	91515
9	Gas Valve Combination, – REV 2, DUNGS	1	91541
10	Air / Gas Venturi Mixer, – REV 0, REV 1	1	91510
10a	Swirl Plate, Black, PP – REV 2	1	91544
10b	399 Adapter – REV 2	1	91585
11	Relief Valve	1	91430
12	3/4 NPT X 3", Brass Nipple, (Local Hdwr Supply)	1	-
13	Elbow - Brass 3/4 NPT, (Local Hdwr Supply)	1	-
14	Gasket – Blower Outlet – REV 2	1	54122
14 c	Combustion Air (Outlet) Gasket– REV 0, REV 1, Not Shown	1	91441
14 b	Spacer Block (Outlet) Gasket– REV 0, REV 1, Not Shown	1	-
14 a	Spacer Block (Outlet) Gasket– REV 0, REV 1, Not Shown	1	91442
15	Premix Channel – REV 2	1	91549
16	Gasket – Flame Sensor / Igniter	2	91491
17	Electrode Spark– REV 0, REV 1, (PI-T80 , PI-80 to PI-399)	1	91411
17	Electrode Spark – REV 2, (PI-T80 , PI-80 to PI-399)	1	91550
18	Screw, M4-070 x 8mm, (Local Hdwr Supply)	4	-
19	Flame Sensor– REV 0, REV 1 PI-T80 , PI-80 to PI-399	1	91412
19	Flame Sensor – REV 2, (PI-T80 , PI-80 to PI-399)	1	91551
20	Screw M5 x 22 mm Torx T25, (Local Hdwr Supply)	8	-
21	Gasket – Burner Intake	1	91552
22	Burner Tube – REV 0, (22" Long) Obsolete - Use 91516, it's shorter but will work	1	-
	Burner Tube – REV 1, (15" Long) Current	1	91516
	Burner Tube – REV 2, 12-7/8" Long	1	91556
23	Nut, M10 , (Local Hdwr Supply)	6	-
24	Burner Door – REV 0, REV 1	1	91601
	Burner Door – REV 2	1	91557
25	Refractory Burner Door – REV 0, REV 1	1	91433
	Refractory Burner Door – REV 2	1	91558
26	Screw, M4 X 8 mm, Stainless, (Local Hdwr Supply)	1	-
27	Washer, Stainless (Local Hdwr Supply)	1	-
28	Target Wall Ceramic	1	91432
29	Screw M5 x 14 mm Slit Hd Cap 4 mm, (Local Hdwr Supply)	4	-
30	Blower Comb – REV 0, REV 1	1	91509
	Blower Comb – REV 2	1	91563
30a	4 Wire Low Voltage Blower Wiring Harness – REV 0, REV 1, When Required	1	91578
31	Spring Clip, (Obsolete)	1	-
	Plastic Hose Clamp, (Current)	1	54139
32	Condensate Hose	1	91576
33	3/4" NPT Nipple, Black PVC , (Local Hdwr Supply)	1	-
34	3/4" NPT Tee, Black PVC, (Local Hdwr Supply)	1	-
35	Vent Plug – 3/4" NPT Black PVC, (Local Hdwr Supply)	1	-
36	Cable Clamp, (Local Hdwr Supply)	1	-
37	Screw #8 x 1/2" Self Tapping Phil Rd Hd, (Local Hdwr Supply)	2	-



PeerlessBoilers.com

# Peerless® PINNACLE®

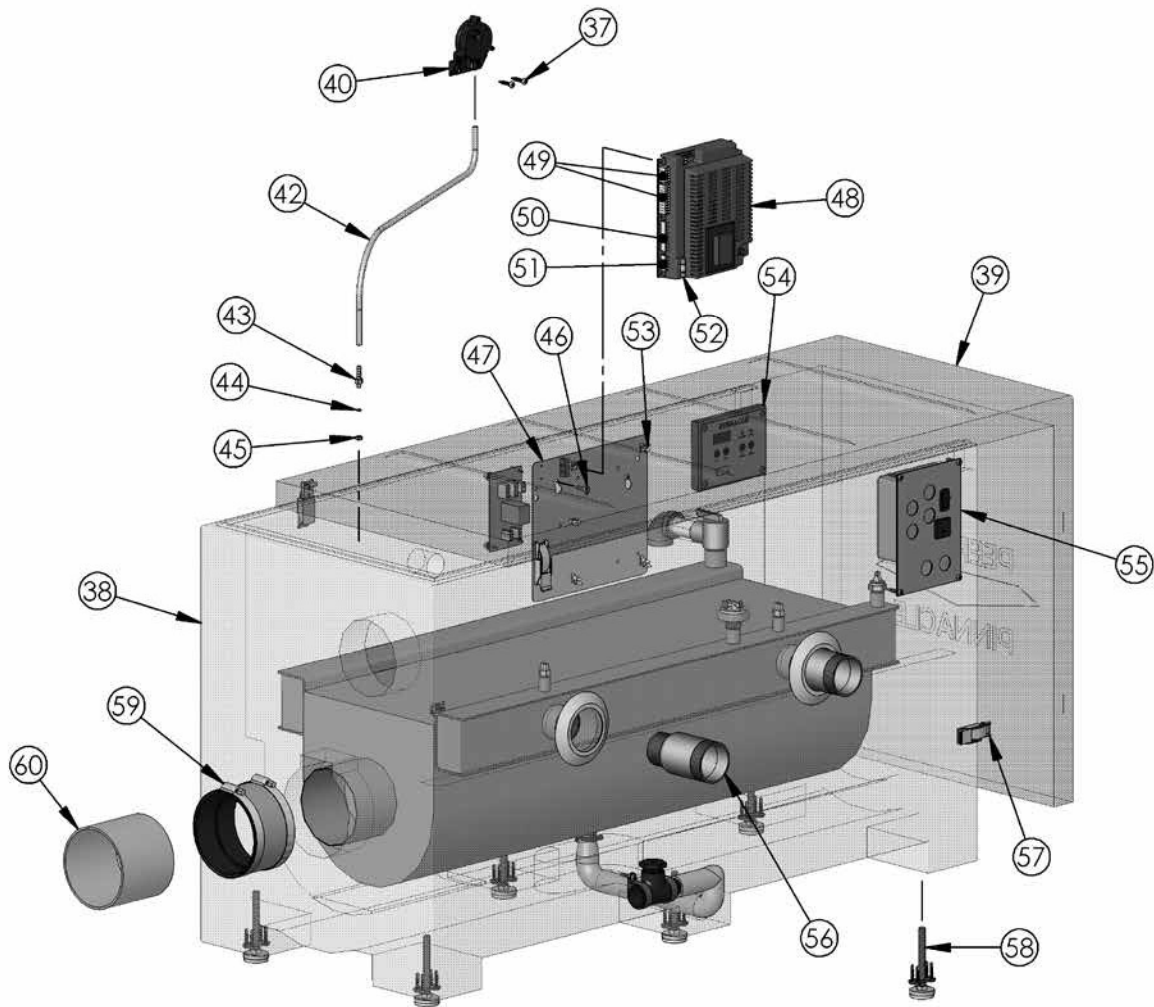
All repair parts orders - no minimum charges.

Please order with code number.

All prices quoted are in U.S. dollars.

All prices subject to change without notice.

All prices F.O.B. Bally, PA



PI-399



PeerlessBoilers.com

# Peerless® PINNACLE®

All repair parts orders - no minimum charges.

Please order with code number.

All prices quoted are in U.S. dollars.

All prices subject to change without notice.

All prices F.O.B. Bally, PA

## PI-399

	Description	Quantity Required	Stock Code
37	Screw #8 x 1/2" Self Tapping Phil Rd Hd , (Local Hdwr Supply)	2	-
38	Jacket - ABS Plastic, Not Available as a Part	1	-
39	Cover - ABS Plastic, Not Available as a Part	1	-
40	Blocked Vent Pressure Limit Switch	1	91498
41	41, Not Listed, Gas Valve Relay - REV 0, REV 1	1	91517
42	Tubing 3/16" ID PVC, (Local Hdwr Supply)	1	91626
43	Hose Barb S.S. 1/4" IDT x 10-32, (Local Hdwr Supply)	1	-
44	O-Ring 007	1	91512
45	Nut Hex 10-32 S.S., (Local Hdwr Supply)	1	-
46	Screw 1/4-20 x 3/4" Phil Rd Hd, (Local Hdwr Supply)	2	-
47	Mounting Panel - Control Board	1	91445
48	P125 / P926 Upgrade Kit Control Board & Display (399 prog.) REV. 1	1	91618
	P825 / P926 Upgrade Kit Control Board & Display (399 prog.) REV. 2	1	91622
49	P125 20 Pin Control Harness - PI-399 - REV 0	1	91520
N/S	P825 20 Pin Control Harness - PI-399 - REV 2	1	91578
N/S	9 Pin Wiring Harness (not shown)	1	91580
N/S	5 Pin Wiring Harness (not shown)	1	91579
52	Spare Fuse, "Slow blow", Board 6.3Amp, Radio Shack # 270-1068	1	91471
53	Clips - Control Board	6	91602
54	Display module, 125 / 825 Display w/ ribbon connector, (Obsolete)- REV 0, REV 1, Rev2	1	91461
	Display module, 926 Display w/ ribbon connector (Current), connector large	1	91612
55	Terminal Box	1	91603
56	Supply Return Nipple 1-1/2" x 2" (Brass) - PI-399	1	91581
57	Latch Assembly	4	91560
58	Leveling Foot Socket, (Local Hdwr Supply)	4	-
59	4" Exhaust Coupling, (Local Hdwr Supply)	1	-
60	Exhaust Stub - 4" SCH 40 PVC x 4" LG, (Local Hdwr Supply)	1	-
N/S	4" Steel Vent Termination Kit - PI-399	1	91498
N/S	Safety Relief Valve Conbraco 10-407-05	1	50664
N/S	Condensate Trap Assembly	1	91576