



PeerlessBoilers.com

# Index

All repair parts orders - no minimum charges.  
Please order with code number.  
All prices quoted are in U.S. dollars.  
All prices subject to change without notice.  
All prices F.O.B. Bally, PA

## **Discontinued Gas Boilers and Oil Boilers:**

### **Page No.**

Peerless® Series WB90™ .....	2 - 7
Peerless® PUREFIRE® .....	8 - 19
Peerless® Pinnacle® Gas .....	20 - 31
Peerless® Series MI85™ / MIHII™ / MI® .....	32 - 39
Peerless® Series DE™ .....	40 - 43
Peerless® Series PSC™ .....	44 - 47
Peerless® Series TC™ .....	48 - 49
Peerless® Partner® PT.....	50 - 51

### **Abbreviation Key:**

N/S – Not Shown; N/L – Not Listed;  
CF – Consult Factory; ☼ - Optional



PeerlessBoilers.com

# Peerless® Series WB90™

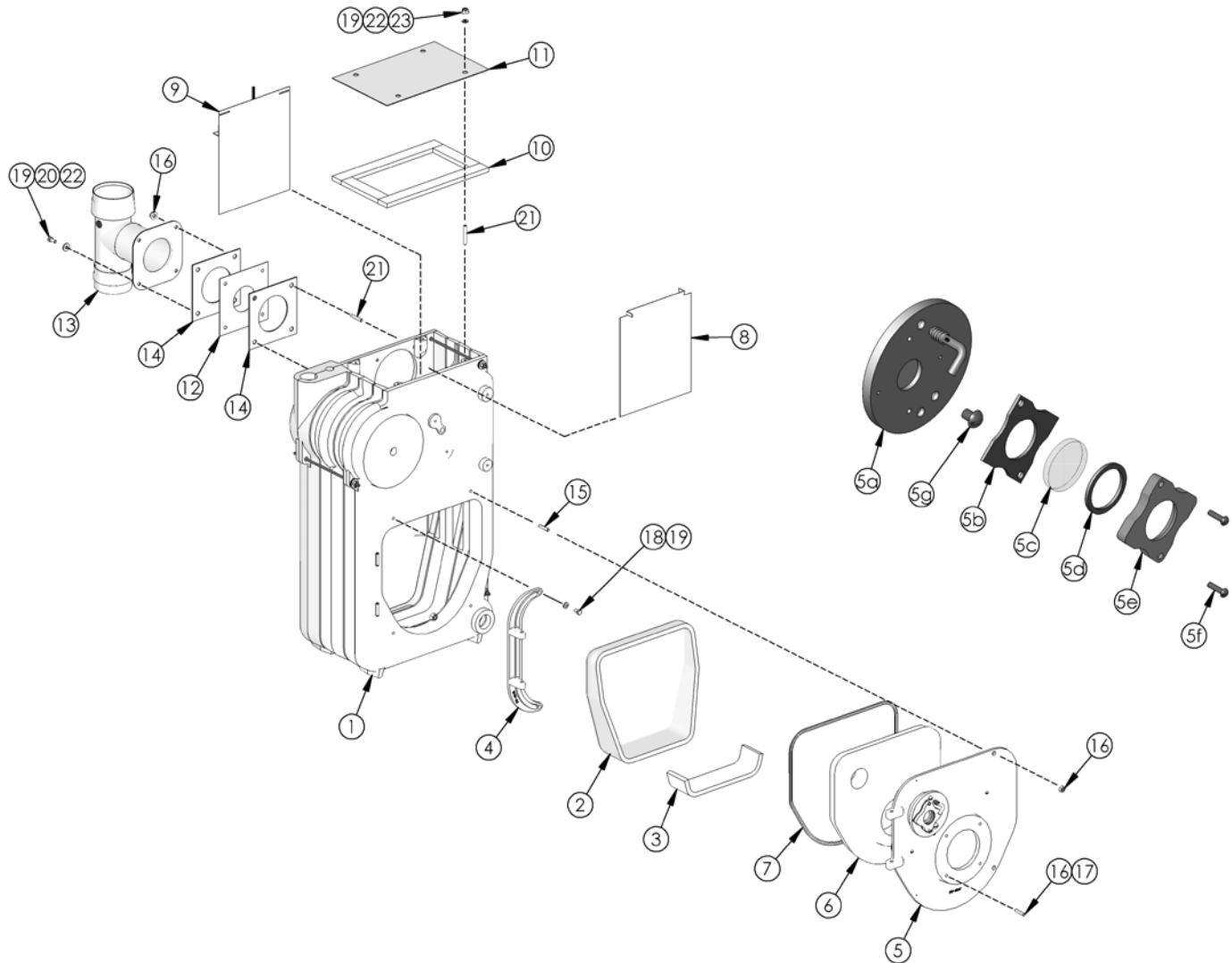
All repair parts orders - no minimum charges.

Please order with code number.

All prices quoted are in U.S. dollars.

All prices subject to change without notice.

All prices F.O.B. Bally, PA





PeerlessBoilers.com

# Peerless® Series WB90™

All repair parts orders - no minimum charges.

Please order with code number.

All prices quoted are in U.S. dollars.

All prices subject to change without notice.

All prices F.O.B. Bally, PA

	Description	Quantity Required	Stock Code
1	Cast Iron Block Assembly – WB90-03	1	90806
	Cast Iron Block Assembly – WB90-04	1	90813
2	Target Wall (Included with Block)	1	50795
3	Base Liner Blanket – WB90-03	N/A	N/A
	Base Liner Blanket – WB90-04	1	50857
4	Burner Mounting Plate Hinge Assembly	1	7240
5	Burner Mounting Plate Assembly	1	91040
–	Flame Observation Cover Assembly	1	91040
5a	Flame Observation Cover Plate	1	SC1012
5b	Observation Window Face Gasket	1	50230
5c	Flame Observation Window	1	51681
5d	Observation Window Ring Gasket	1	50229
5e	Observation Glass Retainer	–	–
5f	Screw #10-32 Round Slotted Head x 3/4" Long, (Local Hdwr Supply)	2	–
5g	Screw 3/8-16 Round Slotted Head x 1/2" Long, (Local Hdwr Supply)	1	–
6	Burner Mounting Plate Insulation	1	50796
7	Burner Mounting Plate Rope Seal 1/2" Medium Density	4.5	51211
8	Flue Baffle – WB90	1	51611
9	Flue Baffle – WB90 Rear	1	51612
10	Flue Collector Plate Blanket Seal	1	90999
11	Flue Collector Cover Plate – WB90-03	1	90828
	Flue Collector Cover Plate – WB90-04	1	90829
12	Restrictor WB90-03 (Vertical Vent)	1	54538
	Restrictor WB90-04 (Vertical Vent)	1	54542
13	4" Vent Tee with Sample Ports	1	54543
–	Tubing, 5/8" ID x 1/8" Wall PVC, (not included)	–	–
14	Vent Restrictor Gasket	2	54541
15	Burner Plate Stud – 5/16-18 x 2-1/4", (Local Hdwr Supply)	2	–
16	5/16-18 Hex Flange Nut, (Local Hdwr Supply)	6	–
17	Burner Mounting Stud – 5/16-18 x 1", (Local Hdwr Supply)	4	–
18	5/16-18 x 5/8" Hex Head Bolt, (Local Hdwr Supply)	2	–
19	5/16" Flat Washer, (Local Hdwr Supply)	8	–
20	5/16-18 x 3/4" Hex Head Bolt, (Local Hdwr Supply)	2	–
21	5/16-18 x 1-3/4" Stud, (Local Hdwr Supply)	6	–
22	5/16" Lock Washer, (Local Hdwr Supply)	4	–
23	5/16-18 Stainless Steel Hex Nut, (Local Hdwr Supply)	4	–



PeerlessBoilers.com

# Peerless® Series WB90™

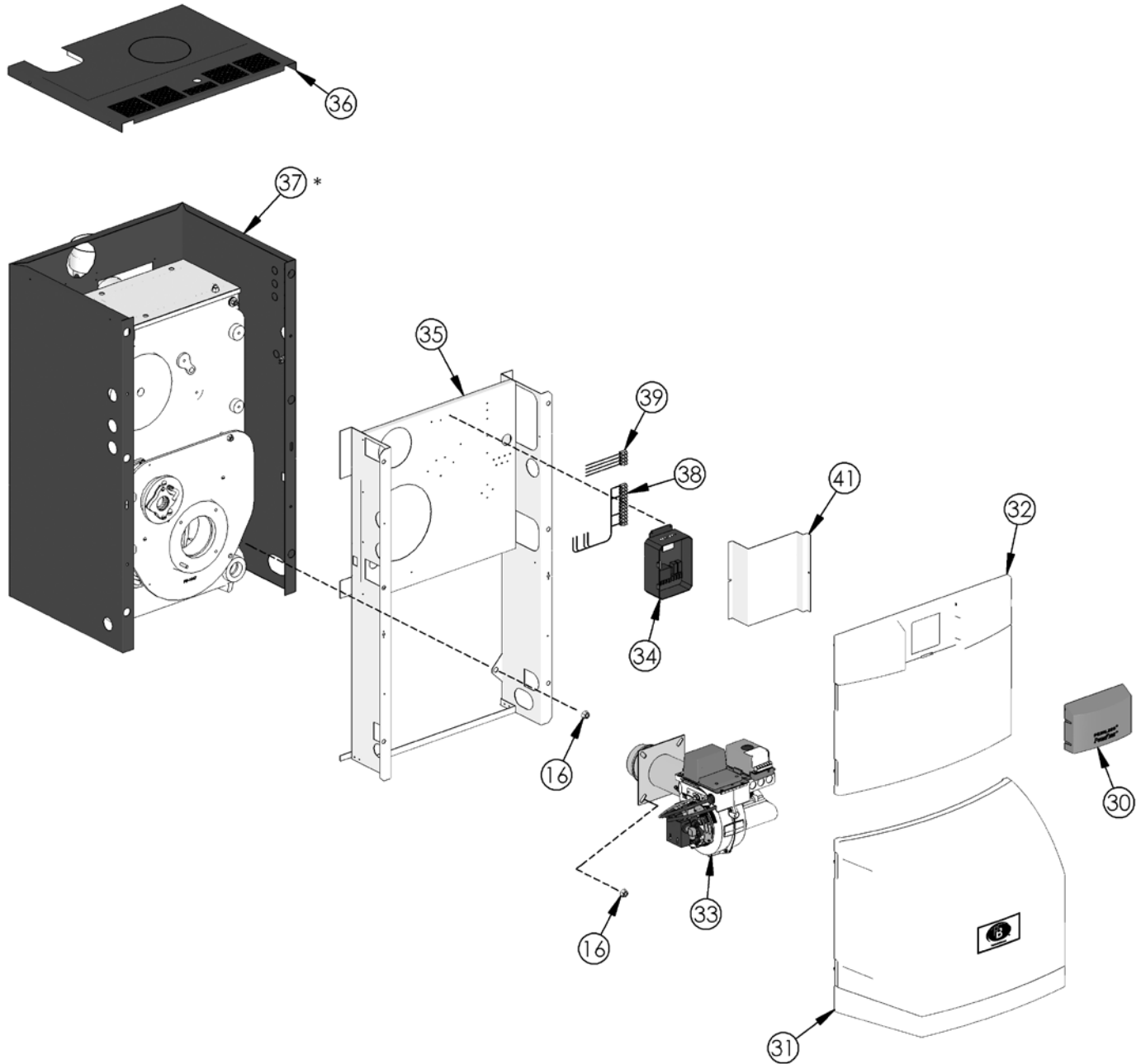
All repair parts orders - no minimum charges.

Please order with code number.

All prices quoted are in U.S. dollars.

All prices subject to change without notice.

All prices F.O.B. Bally, PA





PeerlessBoilers.com

# Peerless® Series WB90™

All repair parts orders - no minimum charges.

Please order with code number.

All prices quoted are in U.S. dollars.

All prices subject to change without notice.

All prices F.O.B. Bally, PA

	Description	Quantity Required	Stock Code
30	Control Lens Cover – Smoked Polycarbonate	1	54508
31	Boiler Lower Front Panel (PCABS)	1	54480
32	Boiler Upper Front Panel (PCABS)	1	54479
33	Burner – Carlin H2L WB90-03	1	8051
	Burner – Carlin H2L WB90-04	1	8052
34	3250-H2L, Oil I Reset & Lwco, Hydrolevel	1	54540
N/S	Bracket / Sensor Assy, Hydrostat Surface Mt. 12", 48-103 Hydrostat	1	54522
42	Indicator Light – Red	1	5730
43	Service Toggle Switch	1	6050
N/S	3/4" NPT Well, 48-202 Hydrostat	1	50723
35	Boiler Jacket Support Frame *	1	54524
36	Boiler Jacket Top – WB90-03 *	1	54527
	Boiler Jacket Top – WB90-04 *	1	54528
37	Boiler Jacket Right Side – WB90-03 *	1	–
	Boiler Jacket Left Side – WB90-03 *	1	–
	Boiler Jacket Right Side – WB90-04 *	1	–
	Boiler Jacket Left Side – WB90-04 *	1	–
	Boiler Jacket Rear *	1	–
*	Jacket Assembly – Water – WBV-03	1	90291
*	Jacket Assembly – Water – WBV-04	1	90288
38	Wiring Harness – LIMIT/LWCO	1	54547
39	Wiring Harness – Thermostat & OD Sensor	1	54545
40	Intentionally Blank	–	–
41	Electrical Cover	1	54537
44	H2L Motor Speed Controller, WB90-03	1	54590
	H2L Motor Speed Controller, WB90-04	1	54591
45	Burner Primary Ignition Control, H2L WB90	1	54589
N/S	H2L Combustion head Assembly, 7"	1	54592
N/S	H2L Fuel Unit,	1	54593
N/S	.55 GPH 60° H Nozzle	1	54519
N/S	.85 GPH 60° AB Nozzle	1	54594
☼	Combustion Air Boot,Kit	–	54557
N/S	#64 Hose Clamp 2-1/2 to 4-1/2 , (Local Hdwr Supply)	2	54443
N/S	Air Inlet Adapter	1	54544
N/S	4" X 6' Aluminum Flex Duct , (Local Hdwr Supply)	1	54558
N/S	#10 X 1/2 Slotted Screws, (Local Hdwr Supply)	4	–
N/L	PB Emblem, Not listed	1	–



PeerlessBoilers.com

# Peerless® Series WB90™

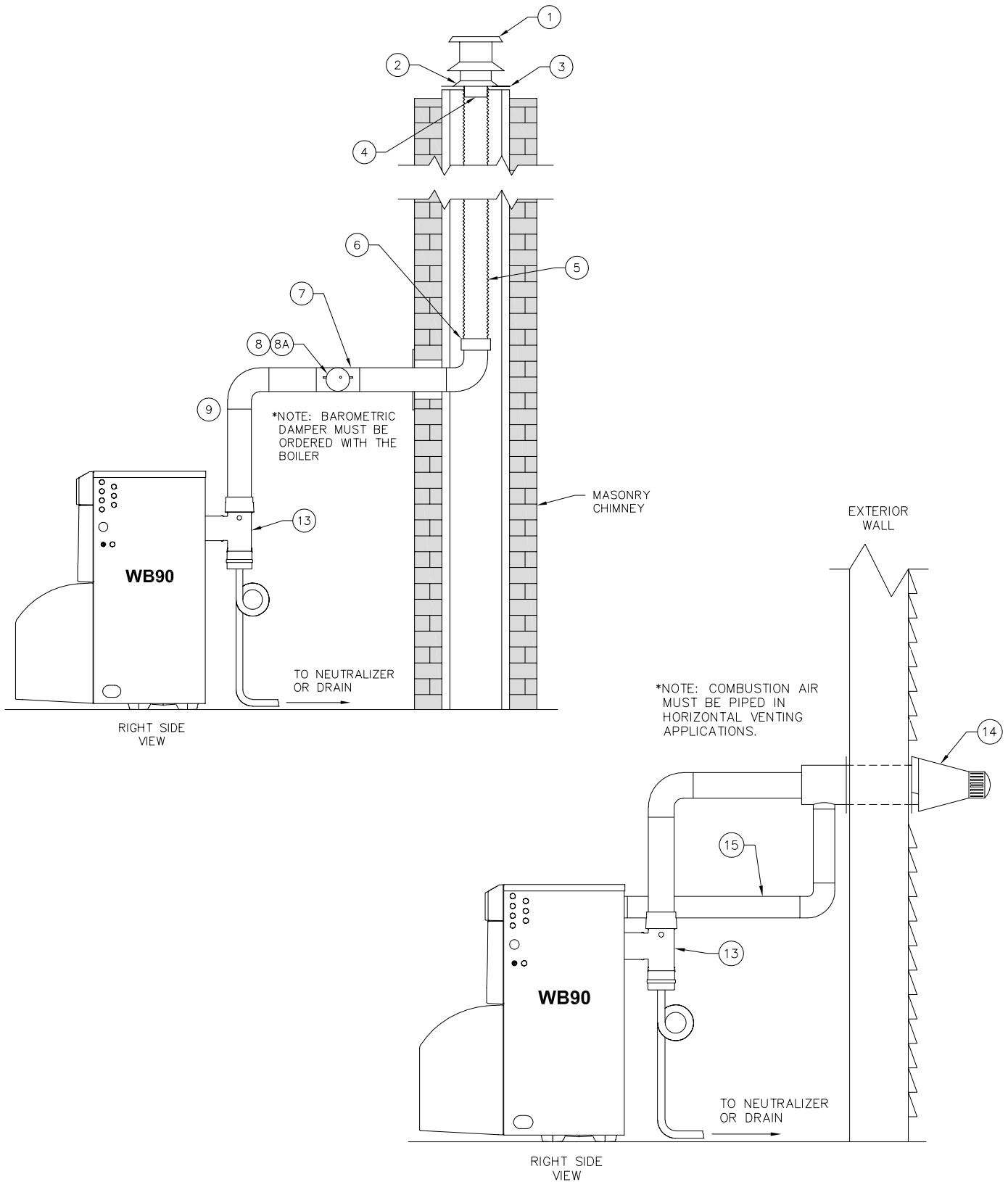
All repair parts orders - no minimum charges.

Please order with code number.

All prices quoted are in U.S. dollars.

All prices subject to change without notice.

All prices F.O.B. Bally, PA





PeerlessBoilers.com

# Peerless® Series WB90™

All repair parts orders - no minimum charges.

Please order with code number.

All prices quoted are in U.S. dollars.

All prices subject to change without notice.

All prices F.O.B. Bally, PA

	Description	Quantity Required	Stock Code
1	Vertical Vent Cap 4PVP-VC	1	54564
2	Storm Collar 4PVP-SC	1	54565
3	Top Cover Plate 5TKP	1	54566
4	Male Flex Adapter 4PVP-ADFM	1	54567
5	4PVP-15BF, 15' BioFlex Pipe	1	54580
	4PVP-20BF, 20' BioFlex Pipe	1	54581
	4PVP-25BF, 25' BioFlex Pipe	1	54582
	4PVP-30BF, 30' BioFlex Pipe	1	54583
	4PVP-35BF, 35' BioFlex Pipe	1	54584
	4PVP-100BF, 100' BioFlex Pipe	1	54585
6	Female Flex Adapter 4PVP-ADFF	1	54568
7	Barometric Damper Tee 4PVP-TAD	1	54569
8	4' Barometric Damper, Fields R/C	1	50251
	4' Barometric Damper Kit, Fields R/C & Spill Switch, Canada	1	50344
8a	Spill Switch, Fields, Canada	1	50313
9	Elbow 90° 4PVP-E90* (not labeled)	1	54570
10	Elbow 45° 4PVP-E45* (not Shown)	1	54571
11	4PVP-6, 6" Long * (not labeled)	1	54572
	4PVP-12, 12" Long * (not labeled)	1	54573
	4PVP-24, 24" Long * (not Shown)	1	54574
	4PVP-36, " Long * (not labeled)	1	54575
	4PVP-60, " Long * (not labeled)	1	54576
12	4PVP-12A, 12" Pipe Extensions – Adjustable * (not labeled)	1	54577
	4PVP-18A, 18" Pipe Extensions – Adjustable * (not labeled)	1	54578
	4PVP-48A, 48" Pipe Extensions – Adjustable * (not labeled)	1	54579
13	4" Vent Tee with Sample Ports	1	54543
14	Sidewall Vent Termination Kit, (DuraVent 47PVP-OKA	1	54086

\*These parts may be used in sidewall venting installations.

WB90 boiler is only approved with Pellet Pro, (PVP) manufactured by DuraVent

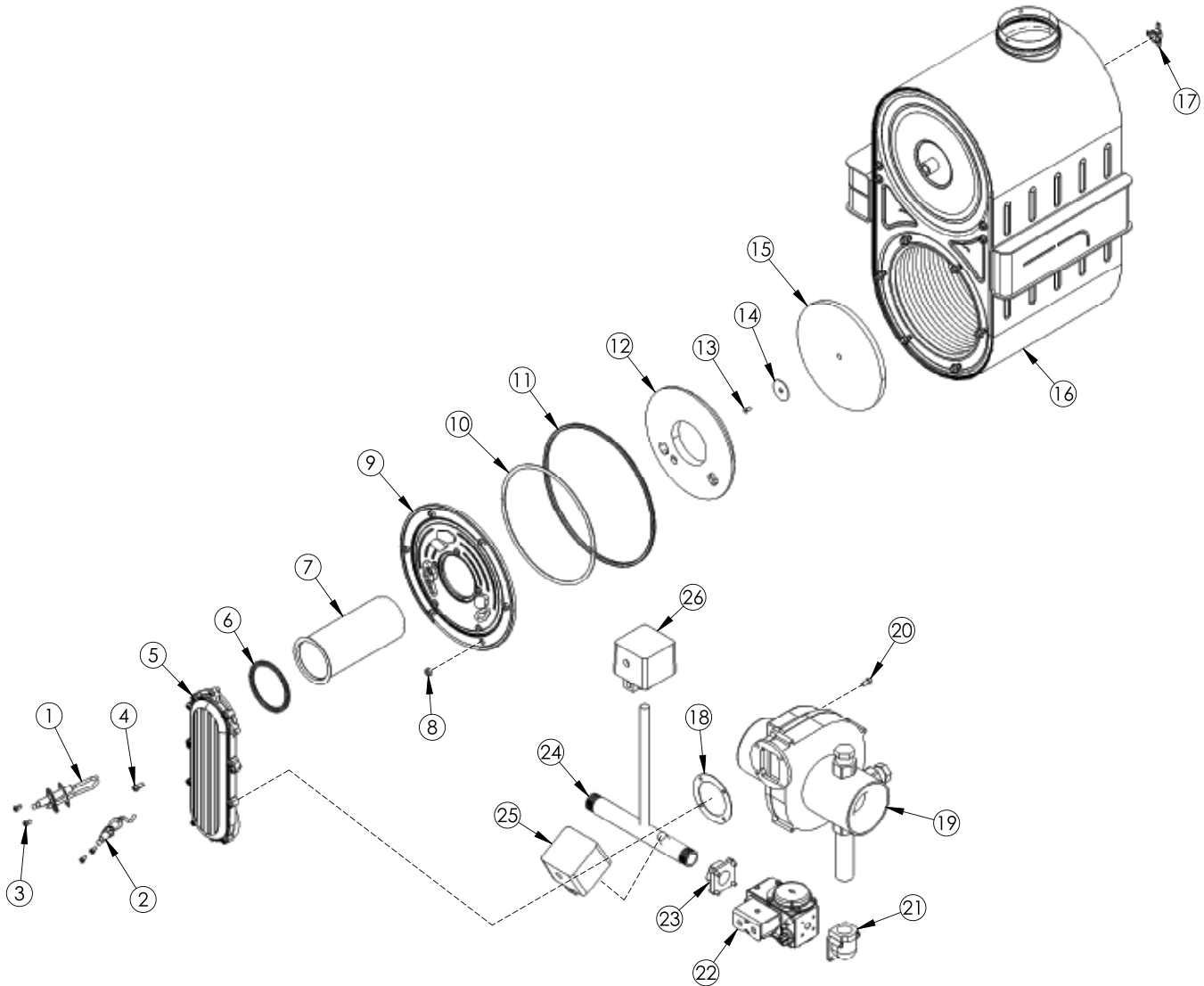


PeerlessBoilers.com

# Peerless® PUREFIRE®

PF-460

All repair parts orders - no minimum charges.  
Please order with code number.  
All prices quoted are in U.S. dollars.  
All prices subject to change without notice.  
All prices F.O.B. Bally, PA



**PF-460**





PeerlessBoilers.com

# Peerless® PUREFIRE®

## PF-460

All repair parts orders - no minimum charges.  
 Please order with code number.  
 All prices quoted are in U.S. dollars.  
 All prices subject to change without notice.  
 All prices F.O.B. Bally, PA

	Description	Quantity Required	Stock Code
1	Ignitor, with Gasket	1	54246
2	Sensor, with Gasket	1	54247
3	Screw, M4 x 8mm, (Local Hdw Supply)	4	-
4	Gasket, Channel to Burner	1	54186
5	Premix Channel – PF-399/460	1	54250
6	Gasket, Chanell to Burner	1	54186
7	Burner – PF-399/460	1	54264
8	Nut, M6, 10MM Hex, (Local Hdwr Supply)	6	-
9	Burner Mounting Plate Kit PUREFIRE, Includes , 8 & 9a	1	54183
9	460 Combustion Chamber Cover Plate Kit, Current ,includes items # 8,10, 11& 12 w/ Hardware	1	54206
9a	Thermal Tempeture Limit, 435F – Burner Plate (Not Shown)	1	50045
10	Gasket, Glass Rope, (Must use Cover Plate Kit)	1	-
11	Gasket, Rubber	1	54187
12	Insulation, Combustion Chamber Cover Plate	1	54255
13	M4 X 8 MM SS Screw Target Wall, (Local Hdwr Supply)	1	-
14	Washer, M4, (Local Hdwr Supply)	1	-
15	Insulation, Target Wall	1	54185
16	Heat Exchanger – PF-399/460 (For Credit Referance Only)	1	5530
17	Thermal Tempeture Limit, 605 F	1	54466
18	Gasket, Blower to Channel	1	54122
19	Blower- PF-460	1	54700
20	M5-0.80 X 12MM Screw, (Local Hdwr Supply)	4	-
21	90° Flange Connection	1	5543
22	Dungs 057 Gas Valve	1	54429
23	Straight Flange Connection	1	5855
24	Gas Manifold- PF-460	1	54681
25	High Gas Pressure Switch- Honeywell C6097B1028	1	50701
26	Low Gas Pressure Switch- Honeywell C6097A1012	1	50700
N/S	Control Module, 852MN – PF-460	1	54684
N/S	Display Module, Argus 852RC (PF460)	1	54717
N/S	KIT PF460 852IF Interface Board (PF460 Only)	1	54701



PeerlessBoilers.com

# Peerless® PUREFIRE®

PF-850, PF-1000 & PF-1500

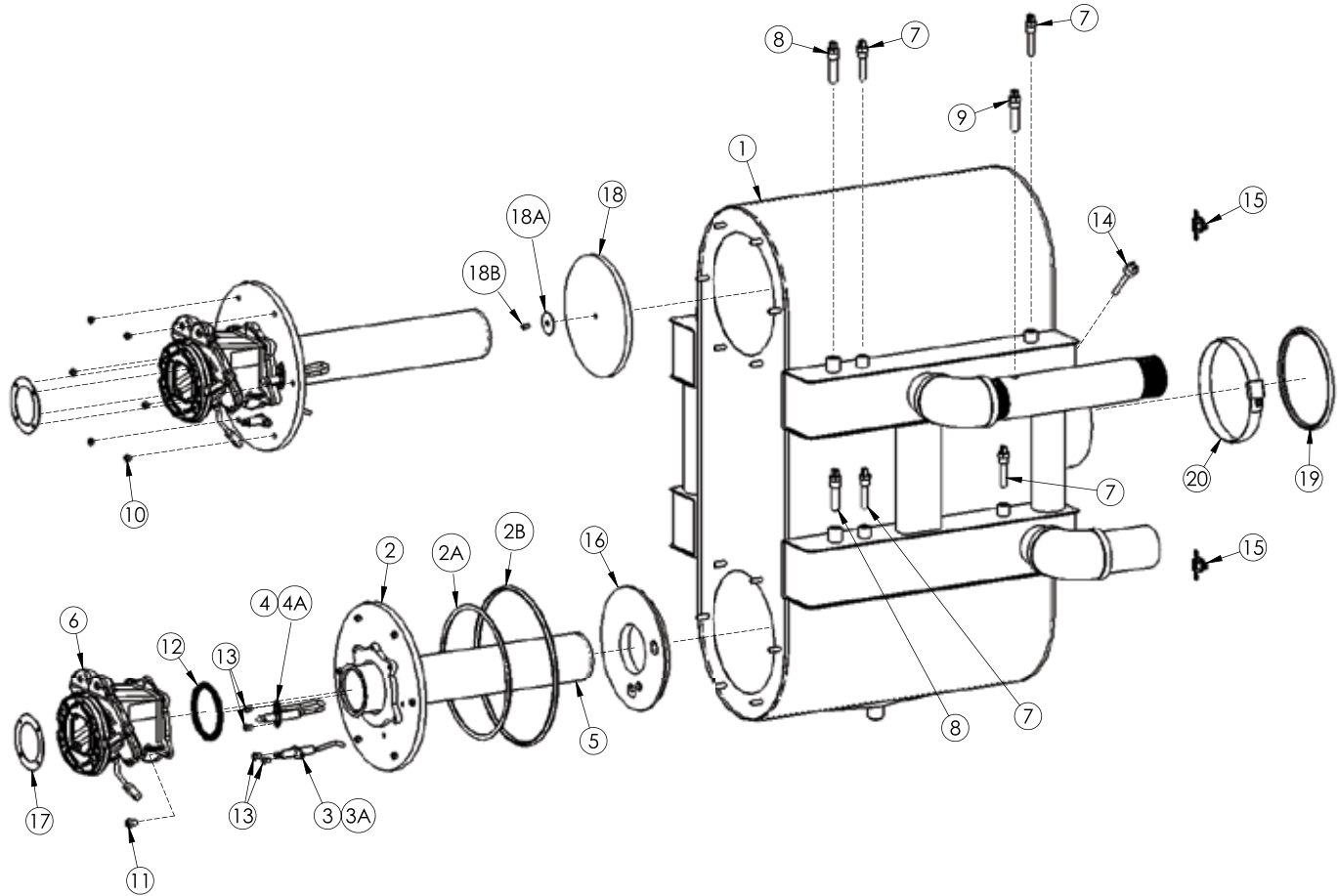
All repair parts orders - no minimum charges.

Please order with code number.

All prices quoted are in U.S. dollars.

All prices subject to change without notice.

All prices F.O.B. Bally, PA



**PF-850, PF-1000 & PF-1500**



PeerlessBoilers.com

# Peerless® PUREFIRE®

PF-850, PF-1000 & PF-1500

All repair parts orders - no minimum charges.

Please order with code number.

All prices quoted are in U.S. dollars.

All prices subject to change without notice.

All prices F.O.B. Bally, PA

	Description	Quantity Required	Stock Code
1	Heat Exchanger – PF-850, for Price Reference Only	1	5651
	Heat Exchanger – PF-1 000, for Price Reference Only	1	5652
	Heat Exchanger – PF-1 500, for Price Reference Only	1	5703
2	Burner Mounting Plate , includes items 2A & 2B	2	54430
2A	Burner Mounting Plate Rubber Rope , included with item 2	2	-
2B	Burner Mounting Plate Rubber Gasket , included with item 2	2	54655
3	Kit Replacement Gianonni Sensor	2	54699
3A	Graphite Gasket, Flame Sensor Electrode	2	54124
4	Kit Replacement Gianonni Igniter	2	54698
4A	Graphite Gasket, Ignition Electrode	2	54123
5	Burner Element (Blue Jet) - PF-850	2	54656
	Burner Element (Blue Jet) - PF-1000	2	54679
	Burner Element (Blue Jet) - PF-1500	2	54657
	Burner Element (MESH) - PF-850/1000 obsolete	2	54433
	Burner Element (MESH) - PF-1500 obsolete, NLA	2	54624
6	Flapper Valve Assembly - PF-850/1000	2	54434
	Flapper Valve Assembly - PF-1500	2	54625
7	Supply / Return Sensor - 1/8" NPT 12 kΩ	4	54438
8	High Limit Switch – 1/4" NPT	2	54419
9	Header Supply Sensor – 1/4" NPT	1	54418
10	Hex. Flange Nut M6 Fine Thread, (Local Hdwr Supply)	12	-
11	Screw M5-0.80 x 16 mm Zinc Plated, Flapper Valve Screw ,(Local Hdwr Supply)	10	-
12	Burner Gasket	2	54467
13	Screw M4 x 8 mm Zinc Plated, Ignitor/Flame Sensor Screw, (Local Hdwr Supply)	4	-
14	Flue Temperature Sensor - 1/4" BSP 12 kΩ	1	54111
15	Thermal Fuse - 318 C, 605 F	2	54466
16	Burner Mounting Plate Insulation - PF-850/1000	2	54653
	Burner Mounting Plate Insulation - PF-1500	2	54654
17	Blower Gasket - PF-850/1000	2	54504
	Blower Gasket - PF-1500	2	54505
18	Target Insulation	2	54185
18A	Target Insulation Washer M4 SS Fender ,(Local Hdwr Supply)	2	-
18B	Target Insulation Screw M4 x 16 SS ,(Local Hdwr Supply)	2	-
19	Exhaust Vent Gasket - 6" PF-850/1000	2	54658
	Exhaust Vent Gasket - 7" PF-1500	2	54659
20	Exhaust Vent Clamp - 6" PF-850/1000	2	54660
	Exhaust Vent Clamp - 7" PF-1500	2	54661
N/S	2" X 1", w/ 1/4" Tap, Relief Valve and Gauge, Brass Tee (PF-850 & 1000)	1	5744
N/S	2 1/2" X 1 1/4", w/ 1/4" Tap, Relief Valve and Gauge, Brass Tee (PF-1500)	1	5854



PeerlessBoilers.com

# Peerless® PUREFIRE®

PF-850, PF-1000 & PF-1500

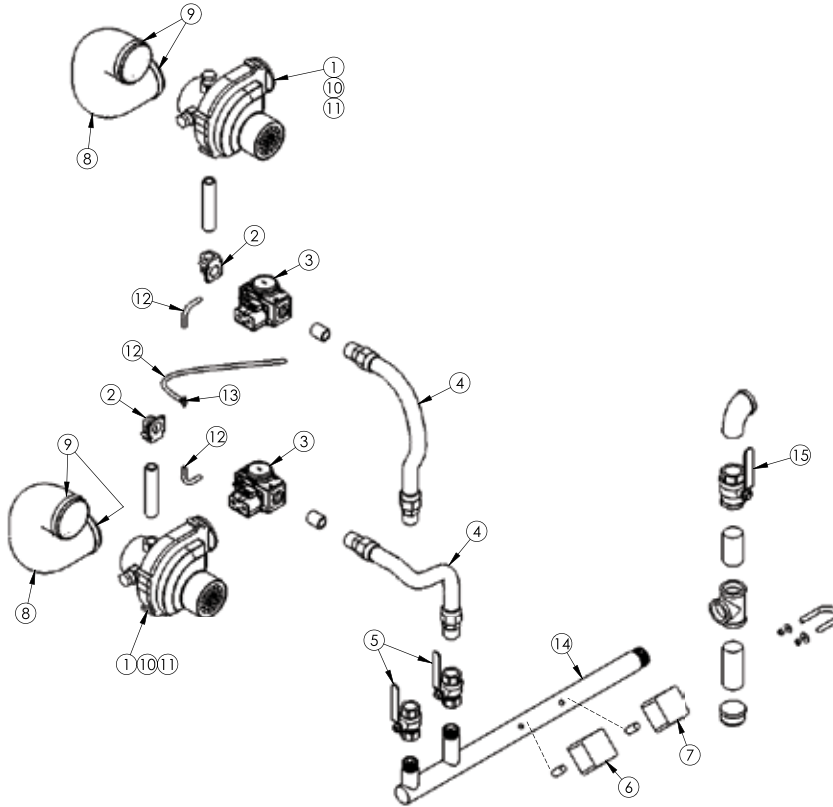
All repair parts orders - no minimum charges.

Please order with code number.

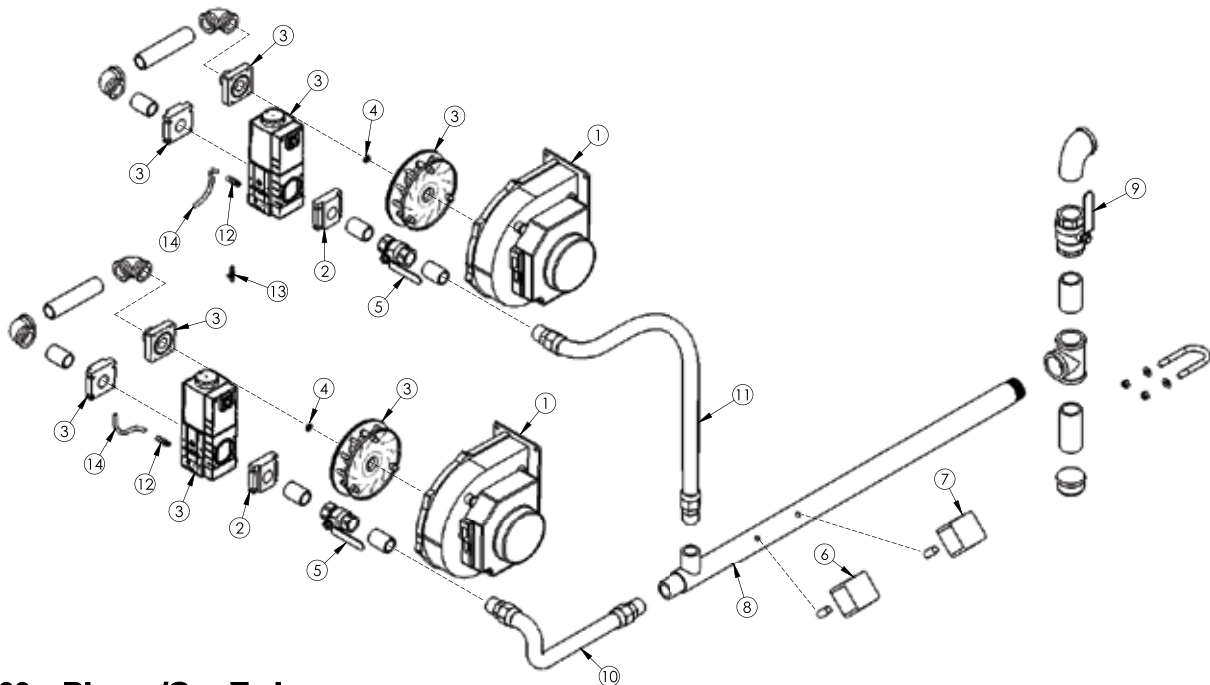
All prices quoted are in U.S. dollars.

All prices subject to change without notice.

All prices F.O.B. Bally, PA



## PF-850/1000 – Blower/Gas Train



## PF-1500 – Blower/Gas Train



PeerlessBoilers.com

# Peerless® PUREFIRE®

PF-850, PF-1000 & PF-1500

All repair parts orders - no minimum charges.

Please order with code number.

All prices quoted are in U.S. dollars.

All prices subject to change without notice.

All prices F.O.B. Bally, PA

## PF-850, PF-1000 – Blower/Gas Train

	Description	Quantity Required	Stock Code
1	Blower - PF-850/1000	2	54428
2	3/4" NPT Flanged Elbow	2	5543
3	Gas Valve GB-057	2	54429
4	1" NPT x 18" Flexible Gas Hose	2	54439
5	1" NPT Gas Shutoff Valve	2	51703
6	Low Gas Pressure Switch, (Local Supply)	1	50700
7	High Gas Pressure Switch, (Local Supply)	1	50701
8	3" Flexible Air Inlet Hose	7.5 ft	54444
9	4" Hose Clamp	4	54443
10	Socket Head Cap Screw M5-0.80 x 12 mm, (Local Hdwr Supply)	6	-
11	Hex Head Cap Screw M5-0.80 x 12 mm, (Local Hdwr Supply)	2	-
12	1/8" ID Reference Tube,	5 ft	1052
13	1/8" Hose Tee, (Local Hdwr Supply)	-	-
14	1-1/4" Gas Inlet Header, PF850	1	54473
14	1-1/4" Gas Inlet Header, PF1000	1	54474
15	1-1/4" Ball Valve	1	
N/S	1-1/4" Gas Regulator, (When Used)	1	50647

## PF-1500 – Blower/Gas Train

	Description	Quantity Required	Stock Code
1	Combustion Air Blower - PF-1500	2	54595
2	Gas Valve Inlet Flange 1" NPT	2	54601
3	Gas Valve w/Shutter, Swirl Plate & Adapter	2	54598
4	Gas Valve Nozzle 12 MM	2	54602
5	1" NPT Gas Shutoff Valve	2	51703
6	Low Gas Pressure Switch, (Local Supply)	1	50700
7	High Gas Pressure Switch, (Local Supply)	1	50701
8	1-1/2" Gas Inlet Header, PF1500	1	54647
9	1-1/2" Ball Valve	2	51705
10	1" NPT x 16" Flexible Gas Line	2	54439
11	1" NPT x 36" Flexible Gas Line	2	54612
12	1/8" BSP x 1/8" Tube Adapter	2	5766
13	1/8" x 1/8" x 1/4" Barb Tee, (Local Hdwr Supply)	1	-
14	1/8" ID Reference Tube	2 ft	1052
N/S	1-1/2" Gas Regulator, (When Used)	1	50646
N/S	2" Gas Regulator, (When Used)	1	50648



PeerlessBoilers.com

# Peerless® PUREFIRE®

PF-850, PF-1000 & PF-1500

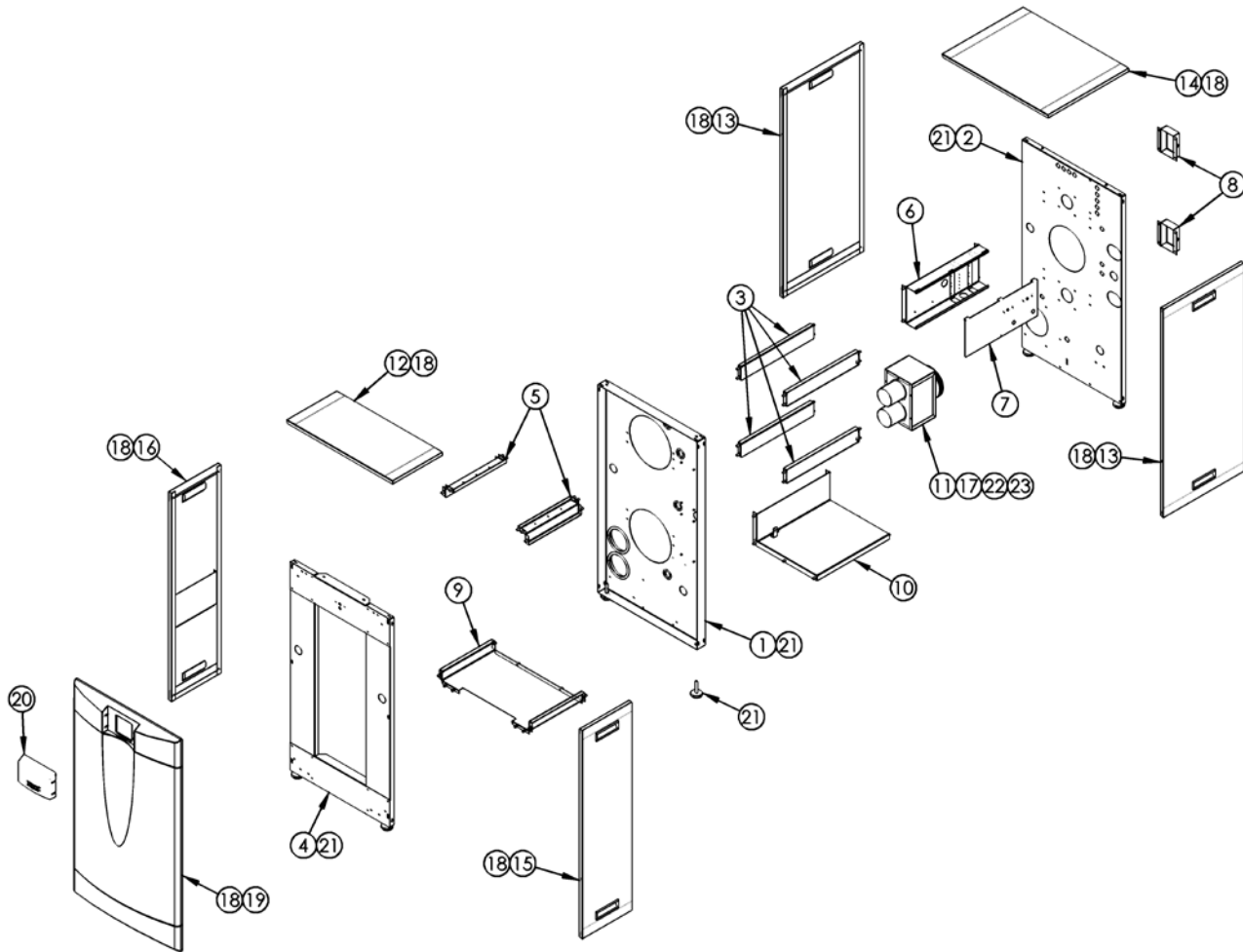
All repair parts orders - no minimum charges.

Please order with code number.

All prices quoted are in U.S. dollars.

All prices subject to change without notice.

All prices F.O.B. Bally, PA



**PF-850, PF-1000 & PF-1500**



PeerlessBoilers.com

# Peerless® PUREFIRE®

PF-850, PF-1000 & PF-1500

All repair parts orders - no minimum charges.

Please order with code number.

All prices quoted are in U.S. dollars.

All prices subject to change without notice.

All prices F.O.B. Bally, PA

	Description	Quantity Required	Stock Code
1	Heat Exchanger Support Panel – Front	1	PF2016
		1	PF2037
2	Heat Exchanger Support Panel – Rear – PF-850, PF-1 000	1	PF2017
	Heat Exchanger Support Panel – Rear – PF-1500	1	PF2038
3	Heat Exchanger Support Rails – PF-850	4	PF2018
	Heat Exchanger Support Rails – PF-1 000	4	PF2018-1
	Heat Exchanger Support Rails – PF-1 500	4	PF2018-2
4	Blower Cabinet Frame Assembly – PF-850, PF-1 000	1	PF2027
	Blower Cabinet Frame Assembly – PF-1500	1	PF2027-1
5	Blower Cabinet Support Rails – PF-850, PF-1 000	2	PF2026
	Blower Cabinet Support Rails – PF-1500	2	PF2026-1
6	Electrical Terminal Enclosure – PF-850	1	PF2029
	Electrical Terminal Enclosure – PF-1 000	1	PF2029-1
	Electrical Terminal Enclosure – PF-1500	1	PF2029-2
7	Terminal Enclosure Cover – PF-850	1	PF2030
	Terminal Enclosure Cover – PF-1000	1	PF2030-1
	Terminal Enclosure Cover – PF-1500	1	PF2030-2
8	Thermal Fuse Cover	2	PF2031
9	Blower Cabinet Floor Pan – PF-850, PF-1000	1	PF2033
	Blower Cabinet Floor Pan – PF-1 500	1	PF2039
10	Condensate System Tray – PF-850	1	PF5027
	Condensate System Tray – PF-1000	1	PF5027-1
	Condensate System Tray – PF-1500	1	PF5027-2
11	Air Inlet Plenum Assembly - PF-850/1000	1	PF5044
	Air Inlet Plenum Base - PF-1500	1	PF5051
11A	Air Inlet Plenum Cover - PF-1500	1	PF5052
12	Blower Cabinet Top Panel - PF-850/1000	1	PF6069
	Blower Cabinet Top Panel - PF-1500	1	PF6069-1
13	Side Heat Exchanger Access Panel - PF-850	4	PF6064
	Side Heat Exchanger Access Panel - PF-1000	4	PF6064-1
	Side Heat Exchanger Access Panel - PF-1500	4	PF6064-2
14	Top Heat Exchanger Access Panel - PF-850	1	PF6066
	Top Heat Exchanger Access Panel - PF-1000	1	PF6066-1
	Top Heat Exchanger Access Panel - PF-1500	1	PF6066-2
15	Blower Cabinet Right Side Panel - PF-850/1000	1	PF6067
	Blower Cabinet Right Side Panel - PF-1500	1	PF6067-2
16	Blower Cabinet Left Side Panel - PF-850/1000	1	PF6067-1
	Blower Cabinet Left Side Panel - PF-1500	1	PF6067-3
17	Air Inlet Screen - PF-850/1000	1	54447
18	Ball Studs	38	5433
19	Front Cover Panel	2	54292
20	Control Lens	1	54127
21	Leveling Legs	1	5659
22	1/4" Rubber Grommet	1	6158



PeerlessBoilers.com

# Peerless® PUREFIRE®

PF-850, PF-1000 & PF-1500

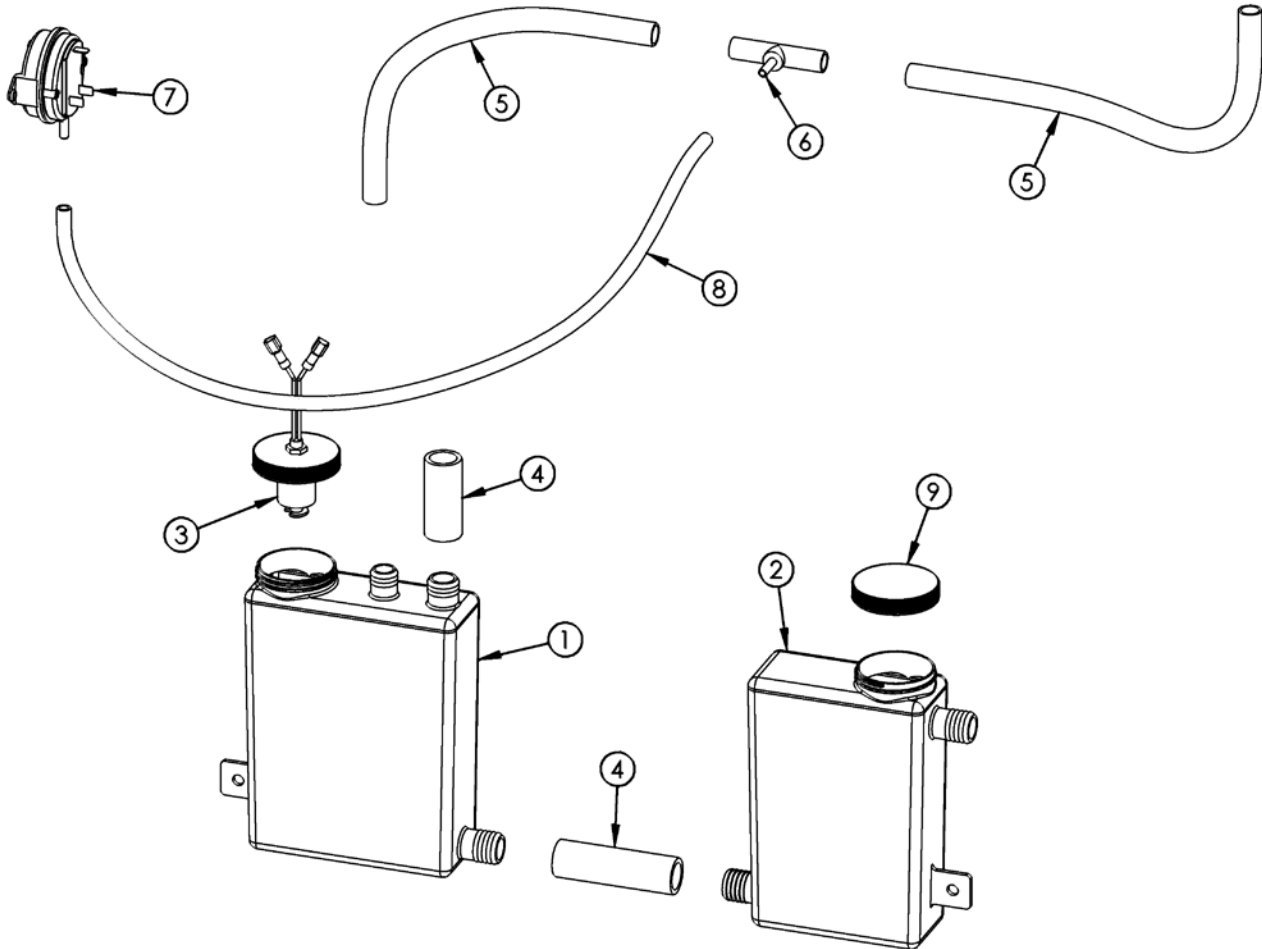
All repair parts orders - no minimum charges.

Please order with code number.

All prices quoted are in U.S. dollars.

All prices subject to change without notice.

All prices F.O.B. Bally, PA



## PF-850, PF-1000 & PF-1500 – Condensate System





PeerlessBoilers.com

# Peerless® PUREFIRE®

PF-850, PF-1000 & PF-1500

All repair parts orders - no minimum charges.

Please order with code number.

All prices quoted are in U.S. dollars.

All prices subject to change without notice.

All prices F.O.B. Bally, PA

## PF-850 – PF-1500 – Condensate System

	Description	Quantity Required	Stock Code
1	Condensate Receiver Container	1	54120
2	Condensate Neutralizer Container	1	54121
3	Condensate Blocked Drain Switch	1	54137
4	1" OD x 3/4" ID PVC Condensate Hose	3 in	5417
5	5/8" OD x 1/2" ID PVC Condensate Hose	4 ft	5416
6	5/8" x 5/8" x 1/4" Hose Barb Tee	1	5665
7	Blocked Vent Pressure Switch	1	54208
8	1/4" ID PVC Tubing	2 ft	5563

## PF-850, PF-1000 & PF-1500 – Miscellaneous Parts – Loose

	Description	Quantity Required	Stock Code
1	Relief Valve - PF-850	1	51300
	Relief Valve - PF-1000	1	51301
	Relief Valve - PF-1500	1	51302
2	Temperature/Pressure Gauge	1	51324
3	6" Stainless Steel Boot Tee with Test Port	1	5680
	7" Stainless Steel Boot Tee with Test Port	1	5747
4	6" Stainless Steel Drain Fitting	1	5681
	7" Stainless Steel Drain Fitting	1	5748
5	6" Stainless Steel x 6" PVC Adapter	1	5682
	7" Stainless Steel x 8" PVC Adapter	1	5749
6	6" Diameter Exhaust/Air Intake Screen	1	54446
7	Stacking Spacer	6	1457
8	Outdoor Sensor	1	54112
9	DHW Sensor, Optional ( PP Partner) 12kOhm Tasseron TSK1 0BH	1	54157
	DHW Sensor, Optional ( PT Partner) 12kOhm Tasseron TSK10B7	1	54478
	DHW Sensor, Optional ( Amtrol) 12kOhm Tasseron TSK10B7	1	54158
10	Condensate Neutralizing Media (1 lb bag)	2	54159



PeerlessBoilers.com

# Peerless® PUREFIRE®

PF-850, PF-1000 & PF-1500

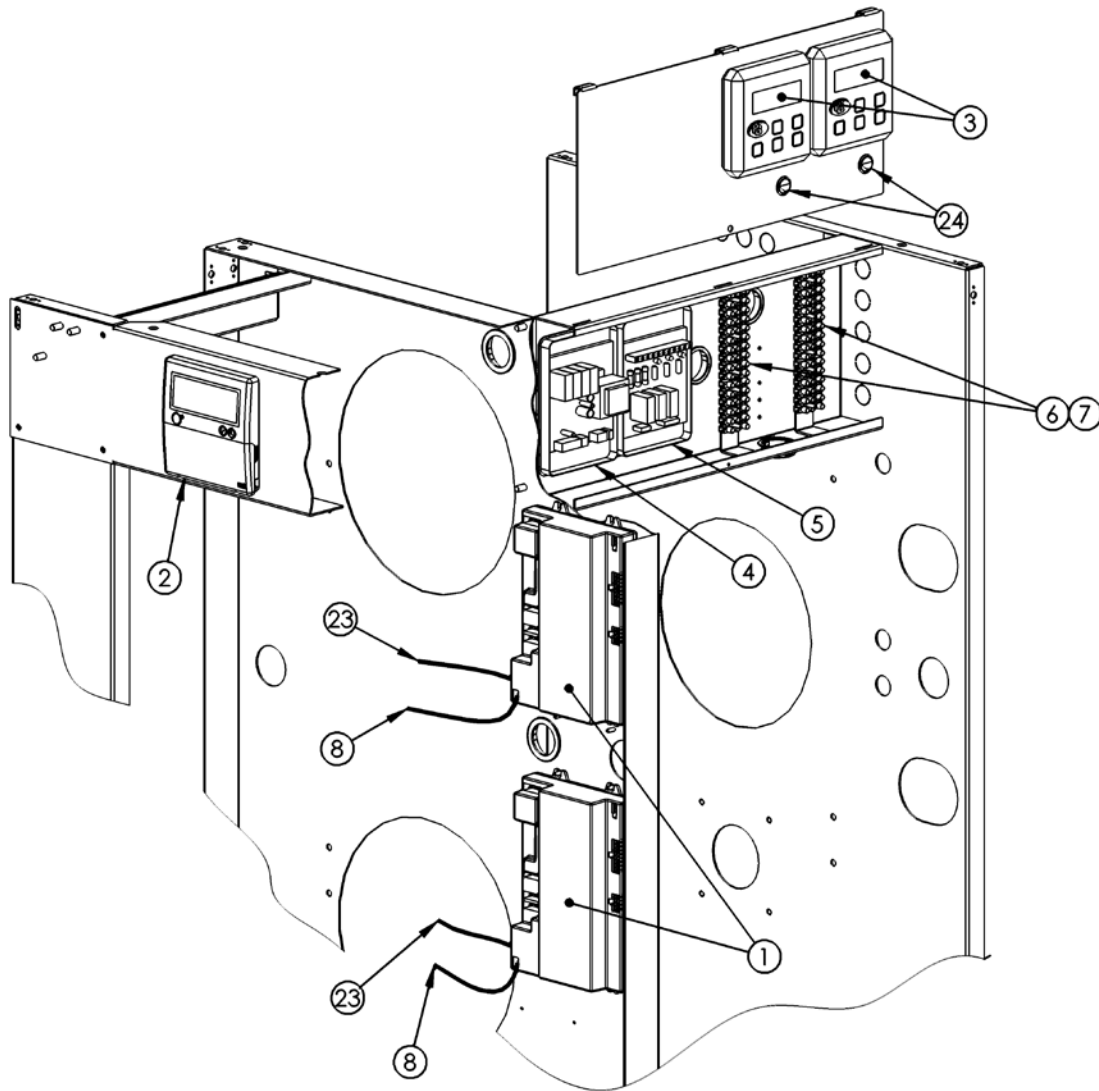
All repair parts orders - no minimum charges.

Please order with code number.

All prices quoted are in U.S. dollars.

All prices subject to change without notice.

All prices F.O.B. Bally, PA





PeerlessBoilers.com

# Peerless® PUREFIRE®

PF-850, PF-1000 & PF-1500

All repair parts orders - no minimum charges.

Please order with code number.

All prices quoted are in U.S. dollars.

All prices subject to change without notice.

All prices F.O.B. Bally, PA

	Description	Quantity Required	Stock Code
1	Primary Burner Safety Control - PF-850	2	54468
	Primary Burner Safety Control - PF-1000	2	54469
	Primary Burner Safety Control - PF-1500	2	54613
2	User Interface Pixel Display	1	54441
3	Installer Interface LED Display	2	54689
4	Interface Module	1	54442
5	3 module Relay w/ 3 Fuses, Obsolete	1	54437
	Pump Relay Module 10 Amp 4 module Relay w/ 2 Fuses,	1	54556
N/S	10-Amp 125V 5x20mm Slow Blow Fuse, Radio Shack-270-152	-	-
6	Terminal Block - 10 Pole	2	5450
7	Terminal Block - 6 Pole	2	5547
8	Ignition Cable with 1KΩ Resistor	2	54298
9	Harness J5M Managing Control Sensors PF-850/1000*	1	54448
	Harness J5M Managing Control Sensors PF-1500*	1	54614
10	Harness J5D Dependent Control Sensors PF-850/1000*	1	54449
	Harness J5D Dependent Control Sensors PF-1500*	1	54615
11	Harness J16M Managing Flapper/Limits PF-850/1000*	1	54450
	Harness J16M Managing Flapper/Limits PF-1500*	1	54616
12	Harness J16D Dependent Flapper/Limits*	1	54451
13	Harness J2M Managing Control/Blower Power PF-850/1000*	1	54452
	Harness J2M Managing Control/Blower Power PF-1500*	1	54617
14	Harness J2D Dependent Control/Blower Power PF-850/1000*	1	54453
	Harness J2D Dependent Control/Blower Power PF-1500*	1	54618
15	Harness J13M Managing Gas Valve/Flame Sensor/Limit PF-850/1000*	1	54454
	Harness J13M Managing Gas Valve/Flame Sensor/Limit PF-1500*	1	54619
16	Harness J13D Dependent Gas Valve/Flame Sensor/Limit PF-850/1000*	1	54455
	Harness J13D Dependent Gas Valve/Flame Sensor/Limit PF-1500*	1	54620
17	Harness J7 General Circulator PF-850/1000*	1	54456
	Harness J7 General Circulator PF-1500*	1	54621
18	Harness J6M Managing CH/DHW Circulator*	2	54457
19	Harness Line Voltage Terminal Strip/Power Switch PF-850/1000*	1	54587
	Harness Line Voltage Terminal Strip/Power Switch PF-1500*	1	54622
20	Harness J9 Blower Control PF-850/1000*	2	54459
	Harness J9 Blower Control PF-1500*	2	54623
21	Harness Managing Thermal Fuse w/Conduit*	1	54460
22	Harness Dependent Thermal Fuse w/Conduit*	1	54461
23	Harness Ground	2	PF7009
24	Rocker Switch, (Local Hdwr Supply)	2	6050



PeerlessBoilers.com

# Peerless® PINNACLE®

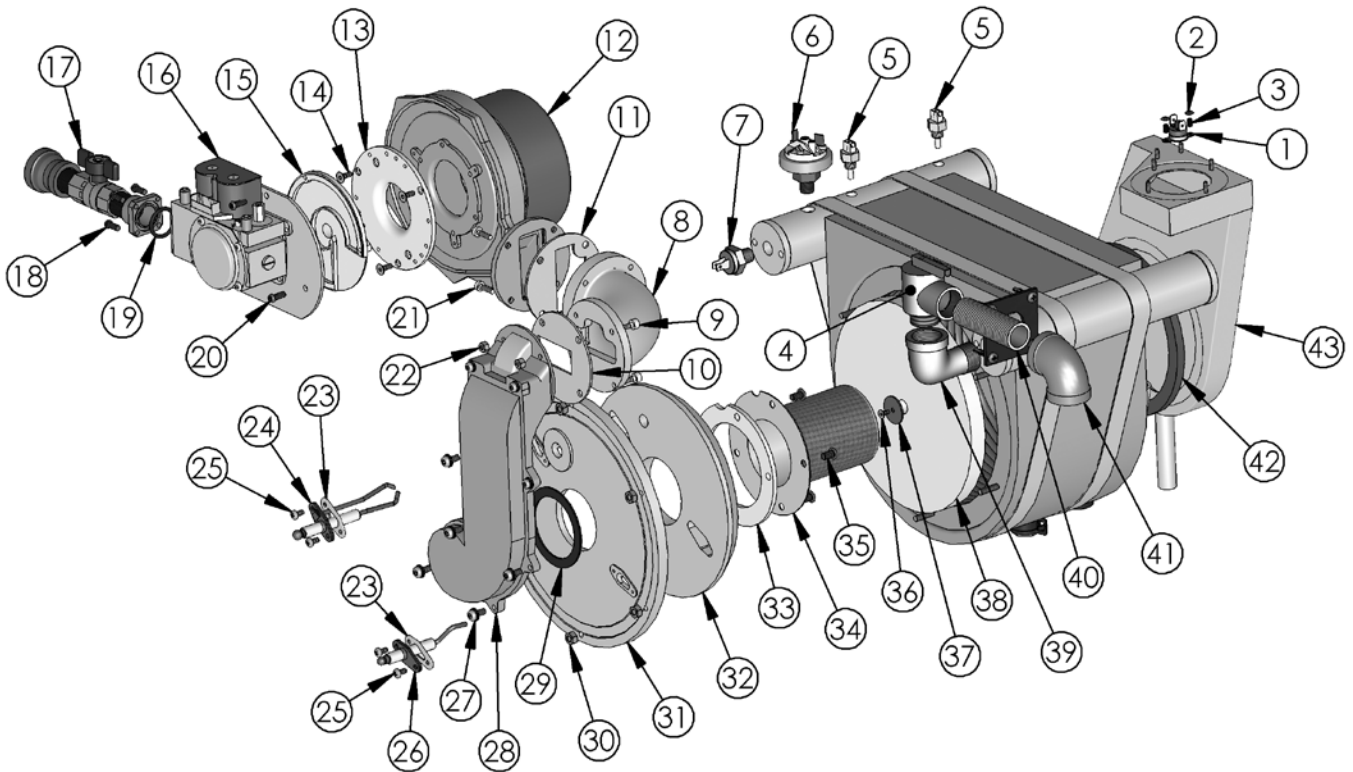
All repair parts orders - no minimum charges.

Please order with code number.

All prices quoted are in U.S. dollars.

All prices subject to change without notice.

All prices F.O.B. Bally, PA



## PI-T50 & PI-T80



PeerlessBoilers.com

# Peerless® PINNACLE®

All repair parts orders - no minimum charges.

Please order with code number.

All prices quoted are in U.S. dollars.

All prices subject to change without notice.

All prices F.O.B. Bally, PA

## PI-T50 & PI-T80

	Description	Quantity Required	Stock Code
1	Switch Temp Vent 210°F	1	91429
2	Spring Clip, (Local Hdwr Supply)	2	-
4	SRV 30 PSI Relief Valve	1	91430
5	Temperature Sensor	2	91435
6	Water Pressure Limit Switch Tapered Thread (Strapped Headers)	1	91609
7	Water Temperature Limit Switch	1	91410
8	Pre-Mix Elbow	1	-
9	Screw, M5 x 14mm, (Local Hdwr Supply)	8	-
10	Gasket, Pre-Mix Channel Intake – REV 0, REV 1	1	91600
11	Gasket, Blower Outlet	1	91500
12	Combustion Blower – PI-80: REV 0, REV 1; PI-T50, PI-T80: All REVS	1	91423
13	Gas Valve Adapter Plate Dungs	1	91545
14	Screw, M4 x 10mm, (Local Hdwr Supply)	3	-
15	Swirl Plate – PI-T50, Blue, PP	1	91592
	Swirl Plate – PI-T80, White, PP	1	91542
16	Gas Valve Combination – PI-T50	1	91478
	Gas Valve Combination – PI-T80	1	91479
17	Manual Shut-off Valve, 1/2" NPT, (Local Hdwr Supply)	1	54130
18	Screw M4 x 12mm Phil Rd Hd, (Local Hdwr Supply)	2	-
18a	Screw M5 x 12mm Phil Rd Hd, (Local Hdwr Supply)	2	-
19	O-Ring, 3/4"	2	91512
20	Screw, M4 x 10mm, (Local Hdwr Supply)	3	-
21	Screw, M5 x 12mm, (Local Hdwr Supply)	4	-
22	Nut, M5, (Local Hdwr Supply)	4	-
23	Gasket, Sensor / Igniter	2	91491
24	Ignition Electrode – PI-T50, REV 0, REV 1, REV 2	1	91467
	Ignition Electrode – PI-T80, REV 0, REV 1	1	91411
	Ignition Electrode – PI-T80, REV 2	1	91550
25	Screw, M4 X 8mm, (Local Hdwr Supply)	4	-
26	Flame Sensor – REV 0, REV 1	1	91412
	Flame Sensor – REV 2	1	91551
27	Screw, M4 X 8mm, (Local Hdwr Supply)	8	-
28	Pre-Mix Channel	1	91604
29	Gasket, Pre-Mix Channel Outlet	1	91600
30	Nut, M10, (Local Hdwr Supply)	6	-
31	Burner Door – REV 0, REV 1	1	91601
	Burner Door – REV 2	1	91557
32	Burner Door Refractory – REV 0, REV 1	1	91433
	Burner Door Refractory – REV 2	1	91558
33	Gasket, Burner	1	91440
34	Burner – PI-T50	1	91472
	Burner – PI-T80	1	91407
35	Burner Screw M6 x 10mm Phil Rd Hd, Brass (Local Hdwr Supply)	4	-
36	Screw, M4 X 8 mm, Stainless, (Local Hdwr Supply)	1	-
37	Washer, Stainless (Local Hdwr Supply)	1	-
38	Target Wall Ceramic	1	91432
39	3/4 NPT Street, Brass 90, (Local Hdwr Supply)	1	-
40	3/4 NPT X 3", Brass Nipple, (Local Hdwr Supply)	1	-
41	Elbow - Brass 3/4 NPT (Local Hdwr Supply)	1	-
42	Gasket, Flue Collector	1	91594
43	Flue Collector	1	91593
48	Blocked Vent Pressure Limit Switch, ( Supplied on later Units)	1	91498



PeerlessBoilers.com

# Peerless® PINNACLE®

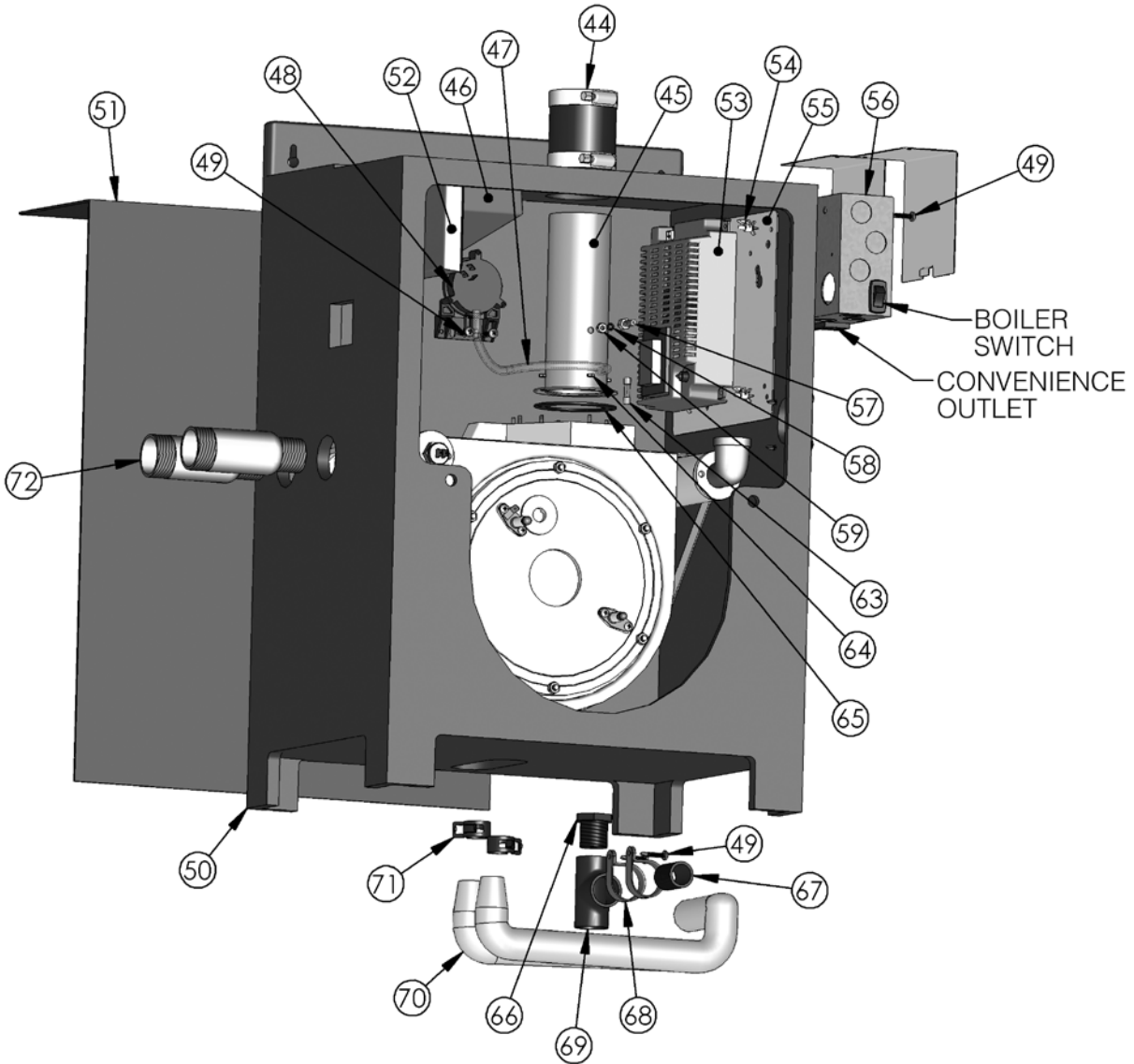
All repair parts orders - no minimum charges.

Please order with code number.

All prices quoted are in U.S. dollars.

All prices subject to change without notice.

All prices F.O.B. Bally, PA



**PI-T50 & PI-T80**



PeerlessBoilers.com

# Peerless® PINNACLE®

All repair parts orders - no minimum charges.

Please order with code number.

All prices quoted are in U.S. dollars.

All prices subject to change without notice.

All prices F.O.B. Bally, PA

## PI-T50 & PI-T80

	Description	Quantity Required	Stock Code
	Flue Adapter	1	91595
45	Exhaust Manifold Tube	1	91596
46	Air Intake Baffle	1	91599
47	Tubing 1/4" ID	1	-
48	Blocked Vent Pressure Limit Switch	1	91498
49	Screw Phil Rd Hd , Stainless (Local Hdwr Supply)	2	-
50	Leveling Foot, when supplied	-	91561
51	Front Jacket, Plastic	1	-
	P125 Control Board & Display w/ Fuse PI-T50 – REV 1/2	1	91613
	P825 Control Board & Display w/ Fuse PI-T80 – REV 1/2	1	91614
54	Mounting Clip – Control Board	6	91602
55	Mounting Panel – Control Board	1	91523
56	Terminal Box (Local Hdwr Supply)	1	-
57	Hose Barb Stainless 1/4" IDT x 10-32 (Local Hdwr Supply)	1	-
58	O-Ring 007 (Local Hdwr Supply)	1	-
59	Nut, Hex. 10-32 , Stainless (Local Hdwr Supply)	1	-
60	Low Voltage Wiring Harness (not shown)	1	91577
	9 Pin Wiring Harness 120V (not shown) – REV 0, REV 1	1	91467
61	9 Pin Wiring Harness 120V (not shown) – REV 2	1	91580
	9 Pin Wiring Harness 120V (not shown) High Altitudes , (Obsolete)	1	91486
62	5 Pin Wiring Harness 120V Harness (not shown) – REV 0, REV 1	1	91473
	5 Pin Wiring Harness 120V (not shown) – REV 2	1	91579
63	Spare Fuse, "Slow blow", Board 6.3Amp, Radio Shack # 270-1068	1	91471
64	Nut, Hex. M3, Stainless (Local Hdwr Supply)		-
65	Gasket, Exhaust Tube	1	91598
66	Vent Plug – 3/4" NPT Black PVC	1	-
67	3/4" NPT Nipple, Black PVC	1	-
68	Cable Clamp	1	-
69	3/4" NPT Tee, Black PVC	1	-
70	Condensate Hose	1	91518
71	Spring Clip, (Obsolete)	2	-
	Plastic Hose Clamp, (Current)	2	54139
72	Reducing Nipple Brass 1-1/4" NPT x 1" NPT	2	91499
N/S	Spark Ignition Cable (not shown) – P125, P825	1	91476
N/S	P125 20 Pin Control Harness (not shown) – REV 0, REV 1	1	91464
<b>Vent Termination Kits</b>			
N/S	2" Stainless Steel Vent Termination Kit	1	91465
N/S	2" Concentric Vent Termination Kit	1	91469
N/S	2" Sch 40 PVC Coupling	1	91453
N/S	2" Sch 40 PVC Tee	1	91454
N/S	2"Stainless Steel Screen	1	91451
N/S	3"Stainless Steel Vent Termination Kit	1	91402
N/S	3" PVC Coupling	1	91466
N/S	3" PVC Tee	1	91452
N/S	3" Stainless Steel Screen	1	91437
<b>Accessories</b>			
N/S	Condensate Neutralizer	1	91438
N/S	PC Service Software – REV 1	1	91490
N/S	PC Service Software – REV 2	1	91591
N/S	PC Interface Cable – REV 1, REV 2	1	91470
N/S	Analog Interface Adapter – REV 1, REV 2	1	91488
N/S	Pressure Temperature Gauge	1	91434
N/S	Outdoor Sensor – REV 2	1	91587
N/S	Indirect Tank Sensor – REV 2	1	91589
N/S	Conversion Kit PI-T50/PI-T80 (Nat to LP/ LP to Nat)	1	90553

§ = Limited availability of parts



PeerlessBoilers.com

# Peerless® PINNACLE®

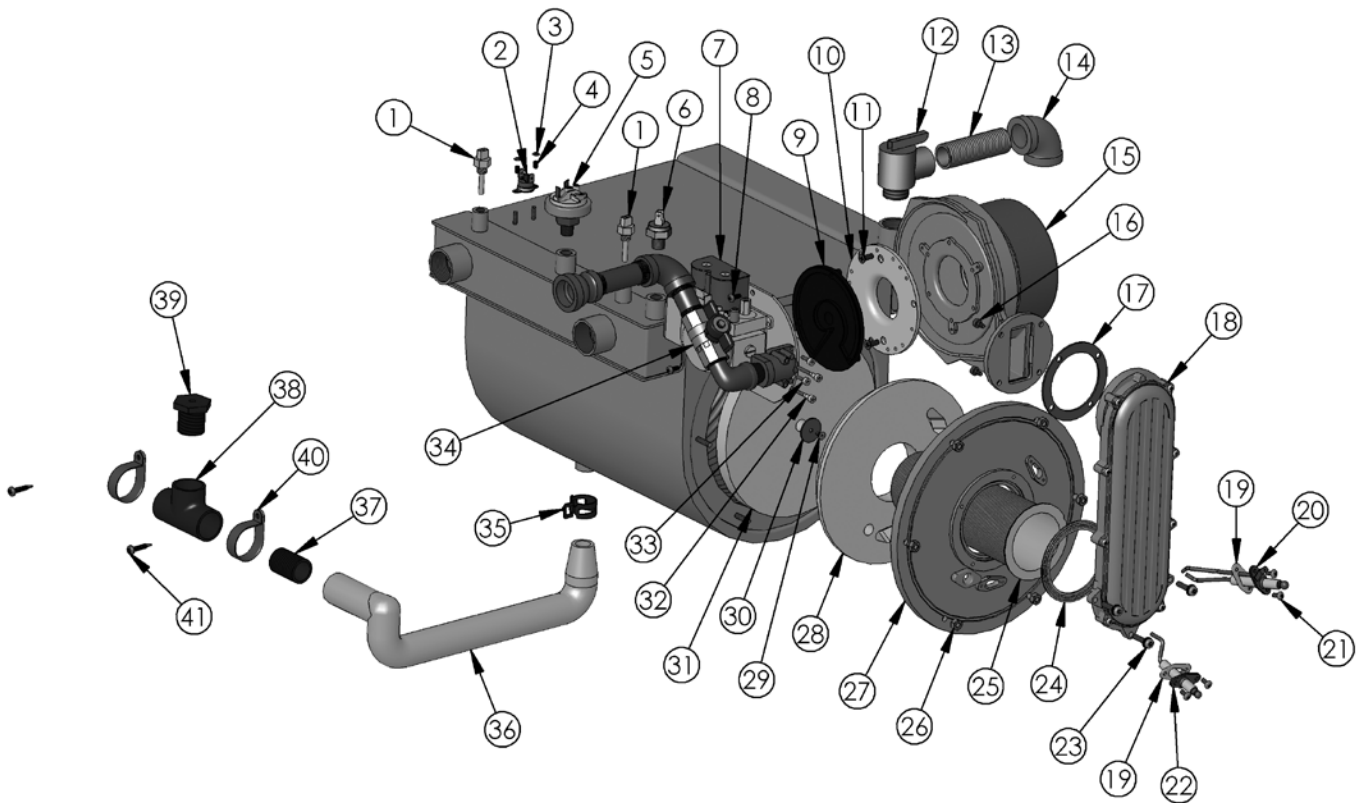
All repair parts orders - no minimum charges.

Please order with code number.

All prices quoted are in U.S. dollars.

All prices subject to change without notice.

All prices F.O.B. Bally, PA



**PI-80, PI-140 & PI-199**





PeerlessBoilers.com

# Peerless® PINNACLE®

All repair parts orders - no minimum charges.

Please order with code number.

All prices quoted are in U.S. dollars.

All prices subject to change without notice.

All prices F.O.B. Bally, PA

## PI-80, PI-140 & PI-199

	Description	Quantity Required	Stock Code
1	Temperature Sensor	2	91435
2	Flue Limit Switch	1	91429
3	Spring Clip, (Local Hdwr Supply)	2	-
N/S	Switch Air Pressure	-	91428
	Water Pressure Switch, Welded Header, Tapered Thread	1	91609
6	Water Temperature Limit Switch	1	91410
	Gas Valve Honeywell – REV 0, REV 1	1	91426
	Venturi – Honeywell – PI-80 – REV 0, REV 1	1	91481
7	Venturi – Honeywell – PI-140, PI-199 – REV 0, REV 1	1	91482
	Gas Valve Dungs – PI-80 – REV 2	1	91538
	Gas Valve Dungs – PI-140 – REV 2	1	91539
	Gas Valve Dungs – PI-199 – REV 2	1	91540
N/S	Conversion Kit PI-80, Nat to LP (Honeywell Valve) 4.0, WHA.	1	90334
N/S	Conversion Kit PI-140, Nat to LP (Honeywell Valve) 5.3 WHA.	1	90335
N/S	Conversion Kit PI-199, Nat to LP (Honeywell Valve) 5.4 WHA.	1	90336
N/S	PI-80, PI-140, PI-199 Conversion Kit Conversion Kit LP to Nat (Honeywell Valve) WHA.	1	90337
N/S	Vent Pressure Switch, Rev.0	1	91428
8	Screw, M4 x 12mm, (Local Hdwr Supply)	3	-
9	Swirl Plate, PI-80, White, PP	1	91542
	Swirl Plate, PI-140, PI-199, Grey PP	1	91543
10	Gas Valve Adapter Plate Dung	1	91545
11	Screw, M5 x 12mm, (Local Hdwr Supply)	-	-
12	Relief Valve	1	91430
13	3/4 NPT X 3", Brass Nipple,	1	-
14	Elbow - Brass 3/4 NPT	1	-
	Combustion Blower – PI-80	1	91423
15	Combustion Blower – PI-140	1	91424
	Combustion Blower – PI-199	1	91425
-	Blower Outlet Tap Boot – REV 1, REV 2, (When required)	1	91446
16	Screw, M5 x 14mm, (Local Hdwr Supply)	4	-
	Gasket – Blower Outlet – PI-80 – REV 0, REV 1	1	91443
17	Gasket – Blower Outlet – PI-140, PI-199 – REV 0, REV 1	1	91441
	Gasket – Blower Outlet – PI-80, PI-140, PI-199 – REV 2	1	54122
	Premix Channel REV 1, Not Available	1	-
18	Premix Channel – PI-80 – REV 2	1	91548
	Premix Channel – PI-140, PI-199 – REV 2	1	91549
19	Gasket – Flame Sensor / Igniter	1	91491
	Electrode Spark – REV. O - 1	1	91411
20	Electrode Spark – REV 2	1	91550
21	Screw, M4-070 x 8mm, (Local Hdwr Supply)	4	-
22	Flame Sensor – REV 0, REV 1	1	91412
	Flame Sensor – REV 2	1	91551
23	Screw M5 x 22 mm Torx T25, (Local Hdwr Supply)	8	-
24	Gasket – Burner Tube (Internal)– REV 0, REV 1	1	91440
	Gasket – Burner Intake, (External) – REV 2	1	91552
	Burner Tube – PI-80 – REV 0, REV 1 (Flange)	1	91407
25	Burner Tube – PI-80 – REV 2	1	91553
	Burner Tube – PI-140 – REV 0, REV 1 (Flange)	1	91408
	Burner Tube – PI-140 – REV 2	1	91554
	Burner Tube – PI-199 – REV 0, REV 1 (Flange)	1	91409
	Burner Tube – PI-199 – REV 2	1	91555
26	Nut, M10, (Local Hdwr Supply)	6	-
27	Burner Door – REV 0, REV 1	1	91601
	Burner Door – REV 2	1	91557
28	Refractory Burner Door – REV 0, REV 1	1	91433
	Refractory Burner Door – REV 2	1	91558
29	Screw, M4 X 8 mm, Stainless, (Local Hdwr Supply)	1	-
30	Washer, Stainless (Local Hdwr Supply)	1	-
31	Target Wall Ceramic	1	91432
32	Screw, M4 X 30 mm, Stainless, (Local Hdwr Supply)	2	-
33	Screw, M4 X 12 mm, Stainless, (Local Hdwr Supply)	2	-
34	Manual Shut-off Valve, 1/2" NPT, (Local Hdwr Supply)	1	54130
35	Spring Clip, (Obsolete)	2	-
	Plastic Hose Clamp, (Current)	2	54139
36	Condensate Trap Assembly,	1	91576
37	3/4" NPT Nipple, Black PVC, (Local Hdwr Supply)	1	-
38	3/4" NPT Tee, Black PVC, (Local Hdwr Supply)	1	-
39	3/4" NPT vent plug, hex head, Black PVC, (Local Hdwr Supply)	1	-
40	Cable Clamp	1	-
41	Screw, #8 X 1/2" Stainless, (Local Hdwr Supply)	4	-

\*Note: HTP has instructions to drill out tear drop opening, to a Figure "8" to accommodate later style igniter.



PeerlessBoilers.com

# Peerless® PINNACLE®

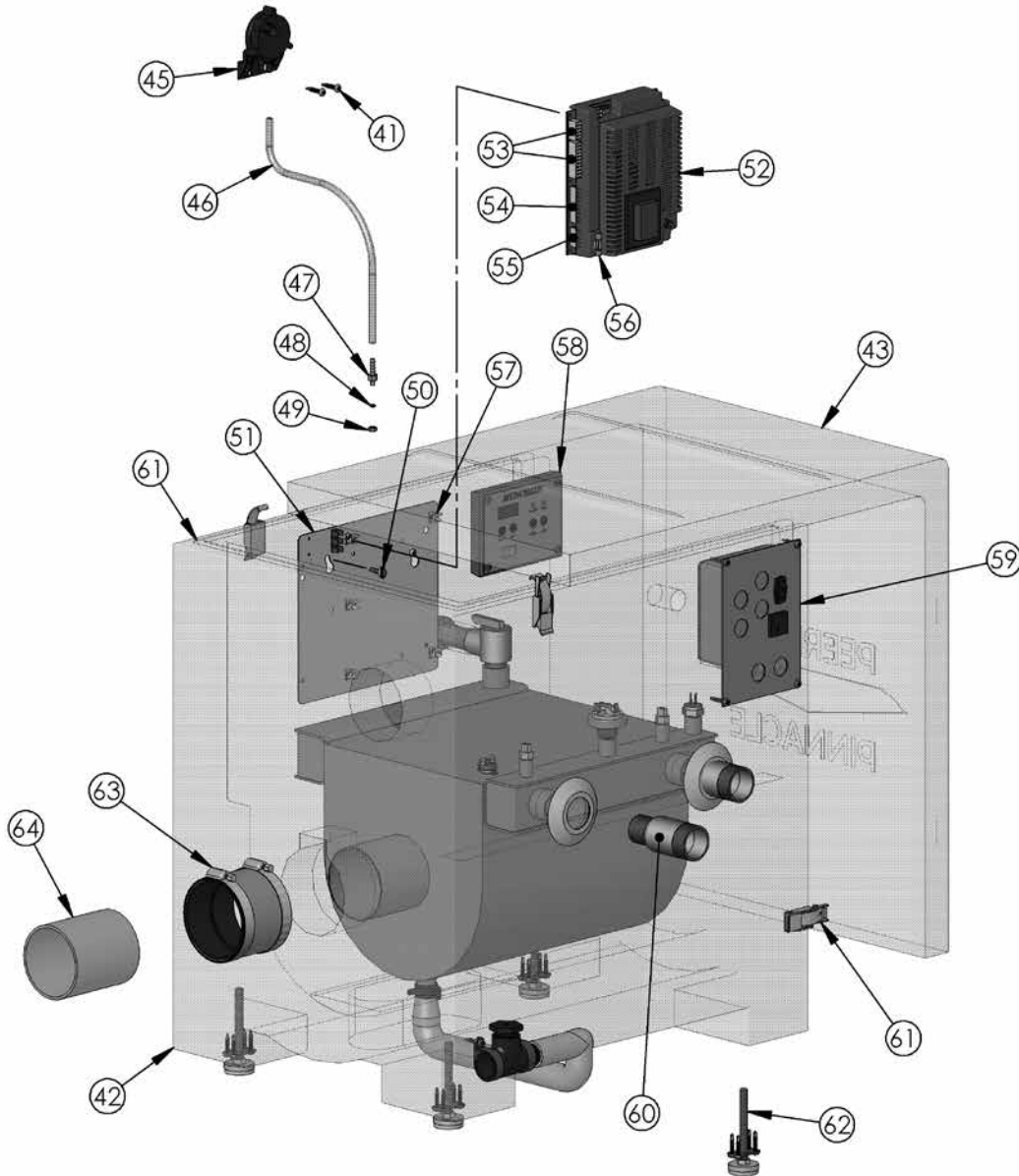
All repair parts orders - no minimum charges.

Please order with code number.

All prices quoted are in U.S. dollars.

All prices subject to change without notice.

All prices F.O.B. Bally, PA



**PI-80, PI-140 & PI-199**



PeerlessBoilers.com

# Peerless® PINNACLE®

All repair parts orders - no minimum charges.

Please order with code number.

All prices quoted are in U.S. dollars.

All prices subject to change without notice.

All prices F.O.B. Bally, PA

## PI-80, PI-140 & PI-199

	Description	Quantity Required	Stock Code
45	Blocked Vent Pressure Limit Switch, Rev 1 & 2	1	91498
46	Tubing 3/16" ID PVC, 2 ft.	1	91626
51	Mounting Panel – Control Board Plastic	1	91445
	Mounting Panel – Control Board Metal	1	91523
<b>Control Board Kits</b>			
	926 Upgrade Kit Control Board & Display (80 prog.) Rev 0	1	91623
	926 Upgrade Kit Control Board & Display (140 prog.) Rev 0	1	91624
	926 Upgrade Kit Control Board & Display (199 prog.) Rev 0	1	91625
	CTRL Board 926 w/ Display (PI-80 Prog.) Rev 1	1	91615
	CTRL Board 926 w/ Display (PI-140 Prog.) Rev 1	1	91616
	CTRL Board 926 w/ Display (PI-199 Prog.) Rev 1	1	91617
	CTRL Board 926 w/ Display (PI-80 Prog.) Rev 2	1	91619
	CTRL Board 926 w/ Display (PI-140 Prog.) Rev 2	1	91620
	CTRL Board 926 w/ Display (PI-199 Prog.) Rev 2	1	91621
53	Low Voltage Wiring Harness (not shown) – REV	1	91418
	Low Voltage Wiring Harness (not shown) – REV 1, REV	1	91577
54	9 Pin Wiring Harness (not shown) – PI-1 40, PI-199 – REV	1	91580
	9 Pin Wiring Harness (not shown) – PI-80 – REV 1	1	91475
	9 Pin Wiring Harness 120V (not shown) High Altitudes , (Obsolete)	1	91487
55	5 Pin Wiring Harness (not shown)	1	91579
56	Spare Fuse, "Slow blow", Board 6.3Amp, Radio Shack # 270-1068	1	91471
57	Control Board Mounting Clip	6	91602
58	Display module, 125 / 825 Display w/ ribbon connector, red connetor	1	91461
	Display module, 926 Display w/ ribbon connector (Current), connector large	1	91612
59	Terminal Box	1	91603
60	Reducing Nipple Brass 1-1/4" NPT x 1" NPT	2	91499
61	Latch & Gasket Assembly – PI-80	2	91582
	Latch & Gasket Assembly – PI-1 40, PI-199	2	91583
62	Leveling Foot	4	91561
63	Exhaust Coupling, Fernco Coupling, (Local Hdwr Supply)	1	-
64	3" PVC, Stub, (Local Hdwr Supply)	1	-

	Description	Quantity Required	Stock Code
<b>Harness (Not Pictorial )</b>			
N/S	Transformer & Harness (WHA) – REV 0	1	91413
N/S	Spark Ignition Cable (WHA) – REV 0	1	91414
N/S	ECO Cable Harness (WHA) – REV 0	1	91415
N/S	Line Cable Voltage Harness (WHA) – REV 0, (obsolete)	1	91416
N/S	Thermostat Harness (T-T) (WHA) – REV 0, (obsolete)	1	91417
N/S	Circulator Harness (WHA) – REV 0	1	91419
N/S	Inlet Temperature Sensor Harness (WHA) – REV 0	1	91421
N/S	Blower Molex Harness (WHA) – REV 0	1	91436
N/S	P125 Edge Card Adapter Harness – P125 Board w/ Old Blower, (obsolete)	1	91444
N/S	P125 Ignition Cable – REV 1, REV 2	1	91476
<b>Vent Termination Kits</b>			
-	4" Stainless Steel Vent Termination Kit	-	91401
<b>Accessories</b>			
N/S	Gas Piping Assembly (w/ shutoff valve & screws) – REV 2	-	91584
N/S	Pressure Temperature Gauge	-	91434
N/S	2 Pin Stake-on, Inlet Temperature Sensor Harness (obsolete )	1	91421
N/S	2 Pin, Inlet Probe Cable Harness MOLEX	1	91435
N/S	Com Wires (Blue & Pink)	1	91529
N/S	Alarm Wire (red) 120V	1	91522



PeerlessBoilers.com

# Peerless® PINNACLE®

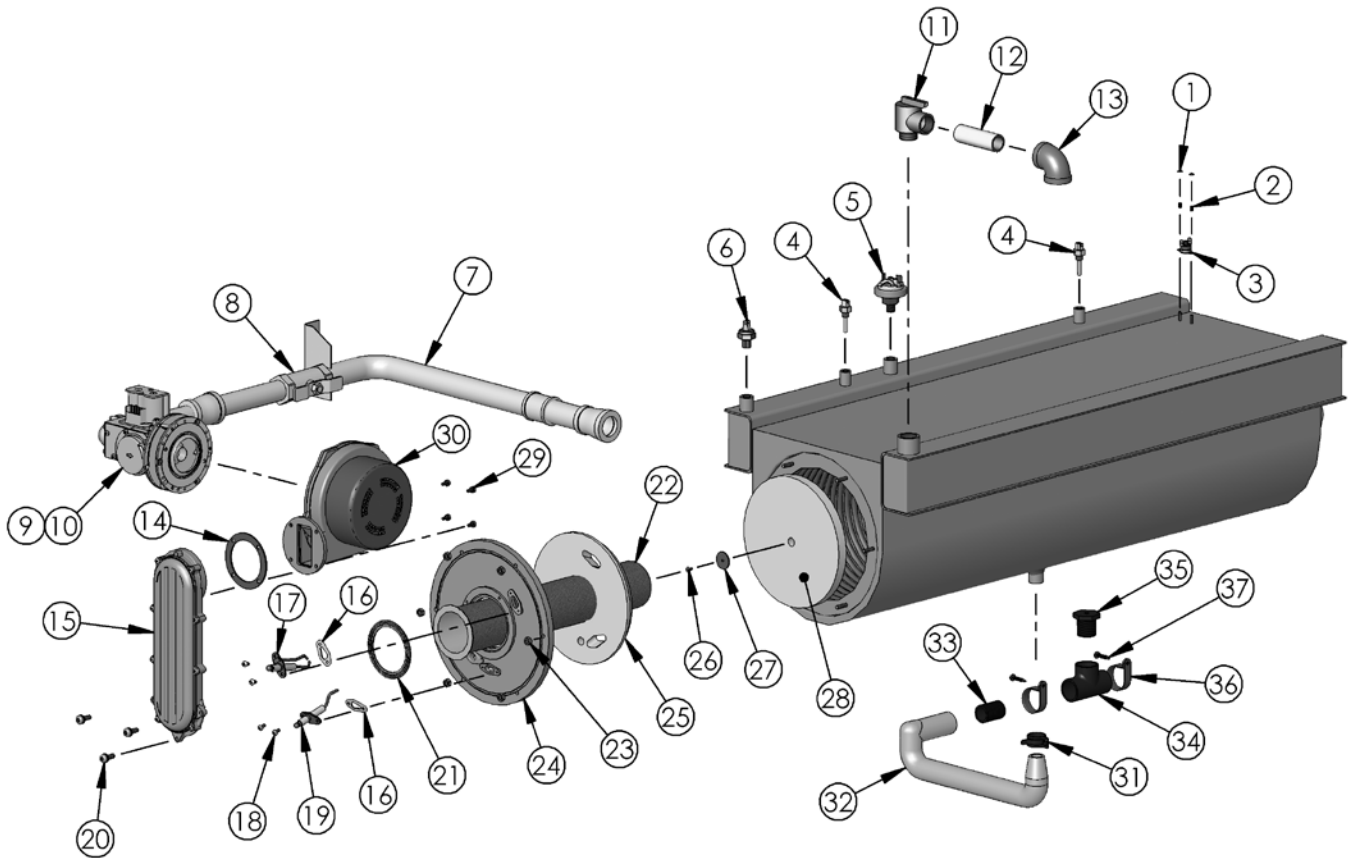
All repair parts orders - no minimum charges.

Please order with code number.

All prices quoted are in U.S. dollars.

All prices subject to change without notice.

All prices F.O.B. Bally, PA



PI-399



PeerlessBoilers.com

# Peerless® PINNACLE®

All repair parts orders - no minimum charges.

Please order with code number.

All prices quoted are in U.S. dollars.

All prices subject to change without notice.

All prices F.O.B. Bally, PA

## PI-399

	Description	Quantity Required	Stock Code
1	Spring Clip, (Local Hdwr Supply)	2	-
3	Flue Limit Switch	1	91429
4	Temperature Sensor, Thermistor	2	91532
5	Water Pressure Switch, Welded Header, Tapered Thread	1	91609
6	Water Temperature Limit Switch	1	91410
7	1" Gas Piping Assembly w/ Mtg Plate – REV 2	1	91584
	1" Gas Piping Assembly w/ Mtg Plate (includes #'s 8, 9 & 10) – REV 0, REV 1	1	91537
8	1" Gas Shut Off Valve, Full Port (Local Hdwr Supply)	1	91515
9	Gas Valve Combination, – REV 2, DUNGS	1	91541
10	Air / Gas Venturi Mixer, – REV 0, REV 1	1	91510
10a	Swirl Plate, Black, PP – REV 2	1	91544
10b	399 Adapter – REV 2	1	91585
11	Relief Valve	1	91430
12	3/4 NPT X 3", Brass Nipple, (Local Hdwr Supply)	1	-
13	Elbow - Brass 3/4 NPT, (Local Hdwr Supply)	1	-
14	Gasket – Blower Outlet – REV 2	1	54122
14 c	Combustion Air (Outlet) Gasket– REV 0, REV 1, Not Shown	1	91441
14 b	Spacer Block (Outlet) Gasket– REV 0, REV 1, Not Shown	1	-
14 a	Spacer Block (Outlet) Gasket– REV 0, REV 1, Not Shown	1	91442
15	Premix Channel – REV 2	1	91549
16	Gasket – Flame Sensor / Igniter	2	91491
17	Electrode Spark– REV 0, REV 1, (PI-T80 , PI-80 to PI-399)	1	91411
17	Electrode Spark – REV 2, (PI-T80 , PI-80 to PI-399)	1	91550
18	Screw, M4-070 x 8mm, (Local Hdwr Supply)	4	-
19	Flame Sensor– REV 0, REV 1 PI-T80 , PI-80 to PI-399	1	91412
19	Flame Sensor – REV 2, (PI-T80 , PI-80 to PI-399)	1	91551
20	Screw M5 x 22 mm Torx T25, (Local Hdwr Supply)	8	-
21	Gasket – Burner Intake	1	91552
22	Burner Tube – REV 0, (22" Long) Obsolete - Use 91516, it's shorter but will work	1	-
	Burner Tube – REV 1, (15" Long) Current	1	91516
	Burner Tube – REV 2, 12-7/8" Long	1	91556
23	Nut, M10 , (Local Hdwr Supply)	6	-
24	Burner Door – REV 0, REV 1	1	91601
	Burner Door – REV 2	1	91557
25	Refractory Burner Door – REV 0, REV 1	1	91433
	Refractory Burner Door – REV 2	1	91558
26	Screw, M4 X 8 mm, Stainless, (Local Hdwr Supply)	1	-
27	Washer, Stainless (Local Hdwr Supply)	1	-
28	Target Wall Ceramic	1	91432
29	Screw M5 x 14 mm Slit Hd Cap 4 mm, (Local Hdwr Supply)	4	-
30	Blower Comb – REV 0, REV 1	1	91509
	Blower Comb – REV 2	1	91563
30a	4 Wire Low Voltage Blower Wiring Harness – REV 0, REV 1, When Required	1	91578
31	Spring Clip, (Obsolete)	1	-
	Plastic Hose Clamp, (Current)	1	54139
32	Condensate Hose	1	91576
33	3/4" NPT Nipple, Black PVC , (Local Hdwr Supply)	1	-
34	3/4" NPT Tee, Black PVC, (Local Hdwr Supply)	1	-
35	Vent Plug – 3/4" NPT Black PVC, (Local Hdwr Supply)	1	-
36	Cable Clamp, (Local Hdwr Supply)	1	-
37	Screw #8 x 1/2" Self Tapping Phil Rd Hd, (Local Hdwr Supply)	2	-



PeerlessBoilers.com

# Peerless® PINNACLE®

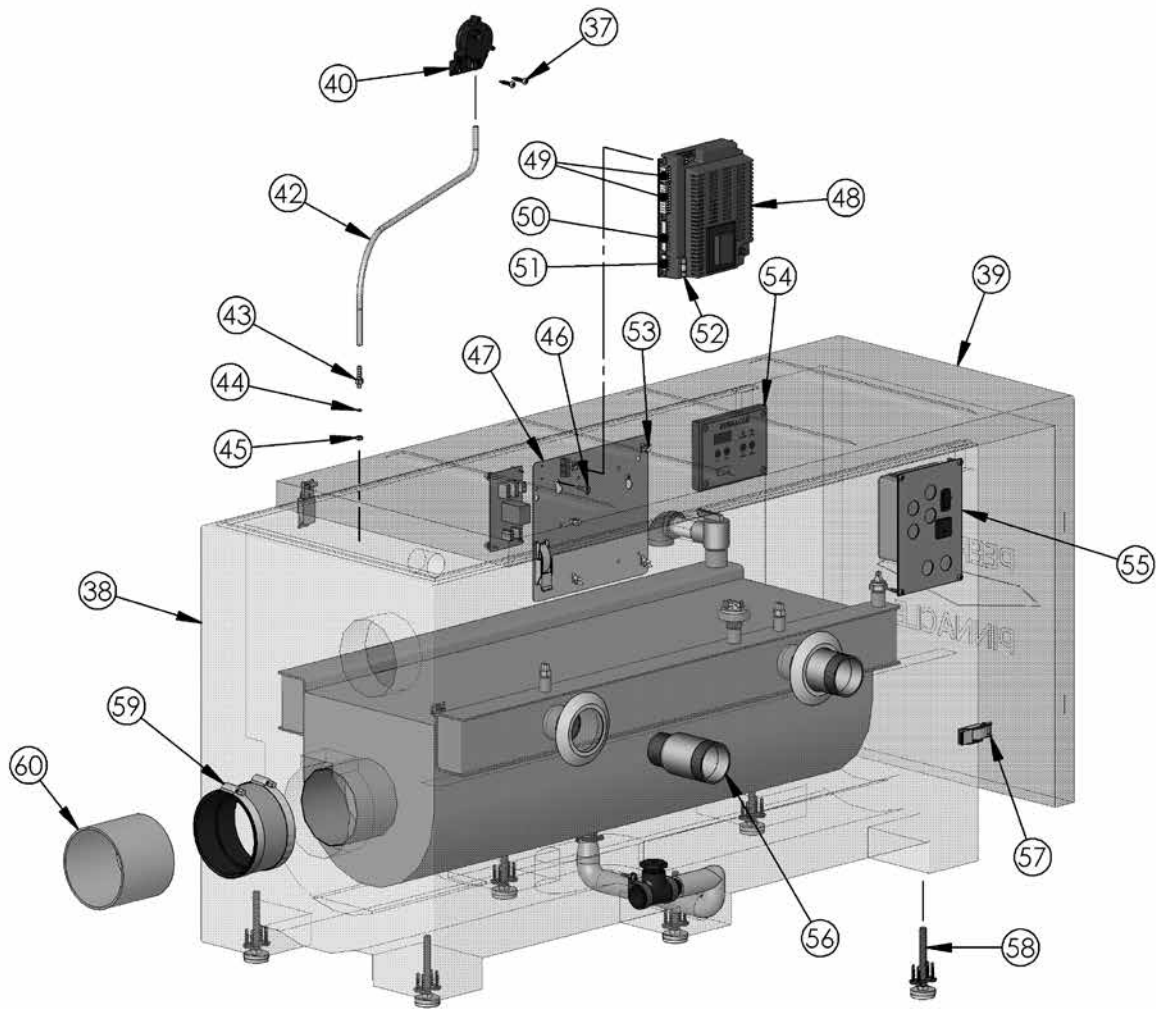
All repair parts orders - no minimum charges.

Please order with code number.

All prices quoted are in U.S. dollars.

All prices subject to change without notice.

All prices F.O.B. Bally, PA



PI-399



PeerlessBoilers.com

# Peerless® PINNACLE®

All repair parts orders - no minimum charges.

Please order with code number.

All prices quoted are in U.S. dollars.

All prices subject to change without notice.

All prices F.O.B. Bally, PA

## PI-399

	Description	Quantity Required	Stock Code
37	Screw #8 x 1/2" Self Tapping Phil Rd Hd , (Local Hdwr Supply)	2	-
38	Jacket – ABS Plastic, Not Available as a Part	1	-
39	Cover – ABS Plastic, Not Available as a Part	1	-
40	Blocked Vent Pressure Limit Switch	1	91498
41	41, Not Listed, Gas Valve Relay – REV 0, REV 1	1	91517
42	Tubing 3/16" ID PVC, (Local Hdwr Supply)	1	91626
43	Hose Barb S.S. 1/4" IDT x 10-32, (Local Hdwr Supply)	1	-
44	O-Ring 007	1	91512
45	Nut Hex 10-32 S.S., (Local Hdwr Supply)	1	-
46	Screw 1/4-20 x 3/4" Phil Rd Hd, (Local Hdwr Supply)	2	-
47	Mounting Panel – Control Board	1	91445
48	P125 / P926 Upgrade Kit Control Board & Display (399 prog.) REV. 1	1	91618
	P825 / P926 Upgrade Kit Control Board & Display (399 prog.) REV. 2	1	91622
49	P125 20 Pin Control Harness – PI-399 – REV 0	1	91520
N/S	P825 20 Pin Control Harness – PI-399 – REV 2	1	91578
N/S	9 Pin Wiring Harness (not shown)	1	91580
N/S	5 Pin Wiring Harness (not shown)	1	91579
52	Spare Fuse, "Slow blow", Board 6.3Amp, Radio Shack # 270-1068	1	91471
53	Clips – Control Board	6	91602
54	Display module, 125 / 825 Display w/ ribbon connector, (Obsolete)– REV 0, REV 1, Rev2	1	91461
	Display module, 926 Display w/ ribbon connector (Current), connector large	1	91612
55	Terminal Box	1	91603
56	Supply Return Nipple 1-1/2" x 2" (Brass) – PI-399	1	91581
57	Latch Assembly	4	91560
58	Leveling Foot Socket, (Local Hdwr Supply)	4	-
59	4" Exhaust Coupling, (Local Hdwr Supply)	1	-
60	Exhaust Stub – 4" SCH 40 PVC x 4" LG, (Local Hdwr Supply)	1	-
N/S	4" Steel Vent Termination Kit – PI-399	1	91498
N/S	Safety Relief Valve Conbraco 10-407-05	1	50664
N/S	Condensate Trap Assembly	1	91576



PeerlessBoilers.com

# Peerless® Series MI85™ /MHI™ /MI™

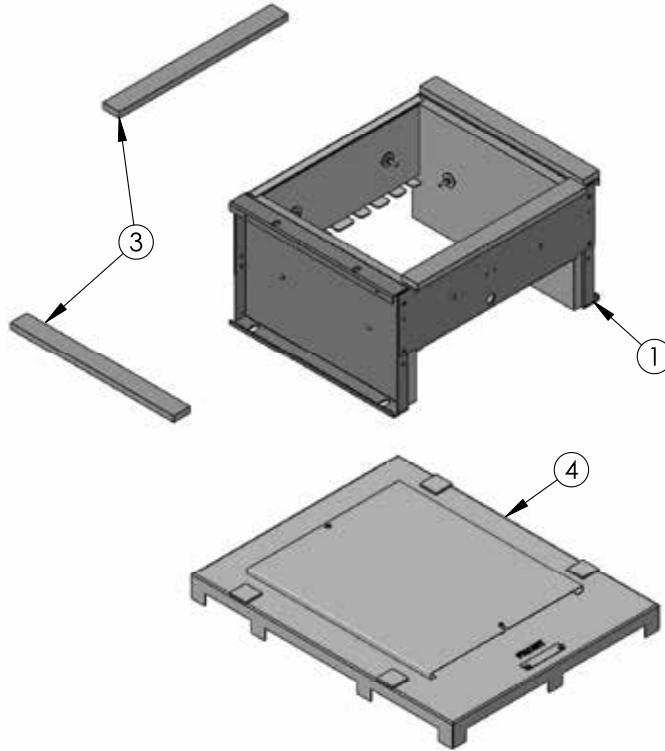
All repair parts orders - no minimum charges.

Please order with code number.

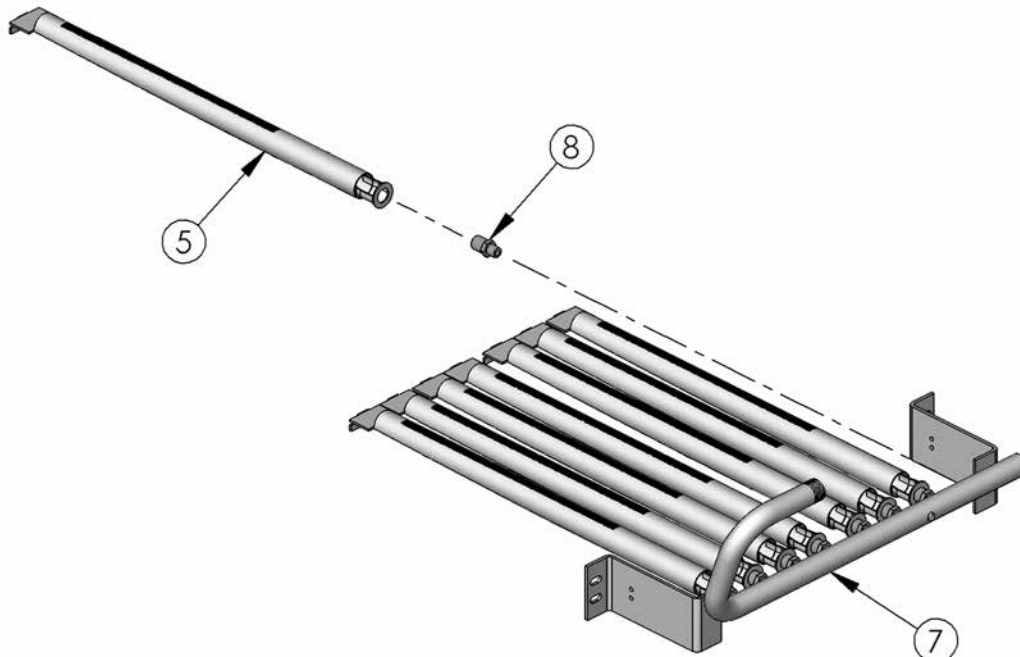
All prices quoted are in U.S. dollars.

All prices subject to change without notice.

All prices F.O.B. Bally, PA



## Gas Valve and Pilot – Standing Pilot (Continuous Ignition)



## Gas Valve and Pilot – Intermittent Ignition





PeerlessBoilers.com

# Peerless® Series MI85™ /MHII™ /MI™

All repair parts orders - no minimum charges.

Please order with code number.

All prices quoted are in U.S. dollars.

All prices subject to change without notice.

All prices F.O.B. Bally, PA

	Description	Quantity Required	Stock Code
1	Base Assembly – MI-03	1	7800
	Base Assembly – MI-04	1	7801
	Base Assembly – MI-05	1	7802
	Base Assembly – MI-06	1	7803
	Base Assembly – MI-07	1	7804
	Base Assembly – MI-08	1	7805
	Base Assembly – MI-09	1	7806
2	Observation Cover Door	1	51771
3	Base Blanket Seal, (4' to 7')	7ft.	50867
4	Combustible Floor Pan Assembly – MI-03	☼	90700
	Combustible Floor Pan Assembly – MI-04	☼	90701
	Combustible Floor Pan Assembly – MI-05	☼	90702
	Combustible Floor Pan Assembly – MI-06	☼	90703
	Combustible Floor Pan Assembly – MI-07	☼	90704
	Combustible Floor Pan Assembly – MI-08	☼	90705
	Combustible Floor Pan Assembly – MI-09	☼	90706
5	Steel Burner – MI-03	3	51537
	Steel Burner – MI-04	5	51537
	Steel Burner – MI-05	7	51537
	Steel Burner – MI-06	9	51537
	Steel Burner – MI-07	11	51537
	Steel Burner – MI-08	13	51537
	Steel Burner – MI-09	15	51537
6	Steel Burner w/ Standing Pilot Bracket	1	51263
	Steel Burner w/ Spark & SV Pilot Bracket	1	51539
7	Gas Manifold – MI-03	1	50978
	Gas Manifold – MI-04	1	50979
	Gas Manifold – MI-05	1	50980
	Gas Manifold – MI-06	1	50981
	Gas Manifold – MI-07	1	50954
	Gas Manifold – MI-08	1	50955
	Gas Manifold – MI-09	1	50956
8	Orifice Spud, #50 Natural Gas – MI85-03	3	X4014-50
	Orifice Spud, #50 Natural Gas – MI85-04	5	
	Orifice Spud, #50 Natural Gas – MI85-05	7	
	Orifice Spud, #50 Natural Gas – MI85-06	9	50895
	Orifice Spud, #49 Natural Gas – MIHII-03	3	
	Orifice Spud, #49 Natural Gas – MIHII-04	5	
	Orifice Spud, #49 Natural Gas – MIHII-05	7	50894
	Orifice Spud, #49 Natural Gas – MIHII-06	9	
	Orifice Spud, #48 Natural Gas – MI-03	3	
	Orifice Spud, #48 Natural Gas – MI-04	5	50895
	Orifice Spud, #48 Natural Gas – MI-05	7	
	Orifice Spud, #48 Natural Gas – MI-06	9	
	Orifice Spud, #49 Natural Gas – MI-07	11	50899
	Orifice Spud, #49 Natural Gas – MI-08	13	
	Orifice Spud, #49 Natural Gas – MI-09	15	
	Orifice Spud, #56 Lp Gas – MI-03 Only	3	50899
	Orifice Spud, #56 Lp Gas – MI-04 Only	5	
	Orifice Spud, #56 Lp Gas – MI-05 Only	7	
	Orifice Spud, #56 Lp Gas – MI-06 Only	9	50900
	Orifice Spud, #57 Lp Gas – MI-07 Only	11	
	Orifice Spud, #57 Lp Gas – MI-08 Only	13	
	Orifice Spud, #57 Lp Gas – MI-09 Only	15	



PeerlessBoilers.com

# Peerless® Series MI85™ /MHI™ /MI™

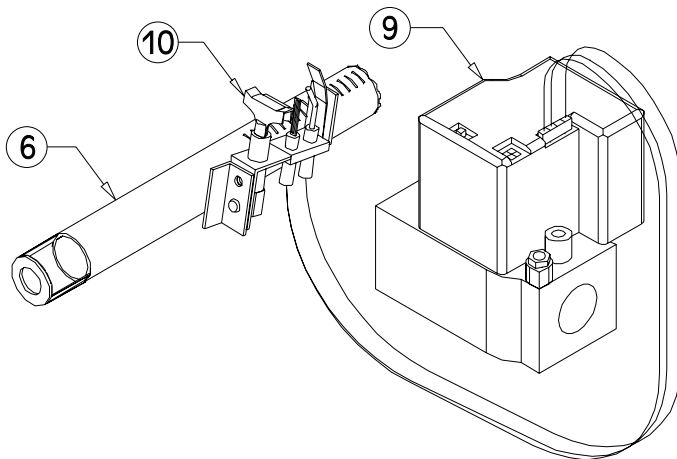
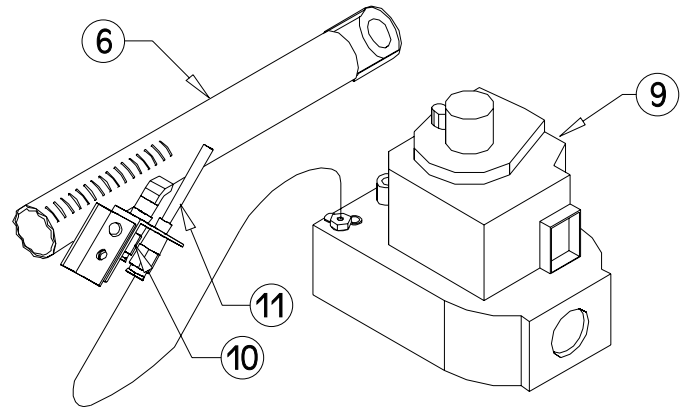
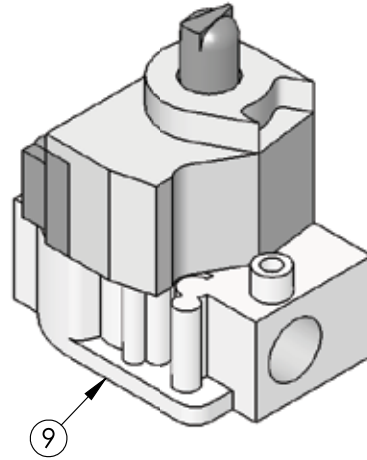
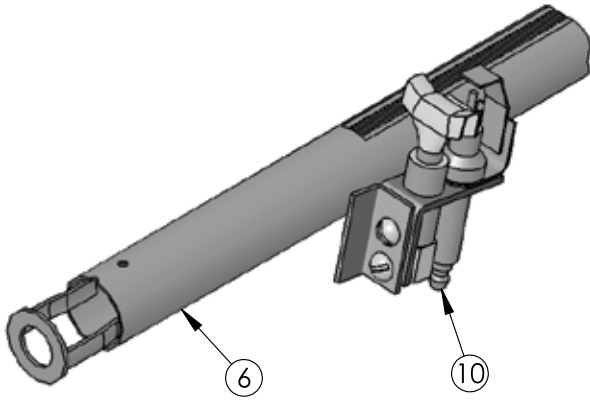
All repair parts orders - no minimum charges.

Please order with code number.

All prices quoted are in U.S. dollars.

All prices subject to change without notice.

All prices F.O.B. Bally, PA





PeerlessBoilers.com

# Peerless® Series MI85™ /MHII™ /MI™

All repair parts orders - no minimum charges.

Please order with code number.

All prices quoted are in U.S. dollars.

All prices subject to change without notice.

All prices F.O.B. Bally, PA

	Description	Quantity Required	Stock Code
N/S	Ignition Control -HW, S8610M3009+	1	50672
9	Honeywell VR8200A-21 16 Gas Valve Standing – Natural Gas MI-03 thru MI-05	1	50581
	Honeywell VR8204A-2001 Gas Valve Spark – Natural Gas MI-03 thru MI-05, Current	1	50583
	Gas Valve Spark – Natural Gas MI-03 thru MI-05, White Rodgers 36g33-530 1/2"	1	50797
	Honeywell SV9501M-2700 Gas Valve Smart – Natural Gas MI-03 thru MI-05	1	51682
	Honeywell VR8204A-2183 Gas Valve Spark – LP Gas MI-03 thru MI-05, Current	1	50584
	Gas Valve Spark - LP Gas MI-03 thru MI-05, White Rodgers 36G33-531 1/2"	1	50799
	Honeywell SV9501M-2064 Gas Valve Smart – LP Gas MI-03 thru MI-05	1	51691
	Honeywell VR8300C-4035 Gas Valve Standing – LP Gas MI-06 thru 09	1	91333
	Honeywell VR8300A-401 1 Gas Valve Standing – LP Gas MI-06 thru MI-09, OBS	1	50588
	Honeywell VR8304M-4010 Gas Valve Spark – LP Gas MI-06 thru MI-09, Current	1	50590
	Honeywell SV9601M-4225 Gas Valve Smart – LP Gas MI-06 thru MI-09	1	51692
	Honeywell VR8300A-4003 Gas Valve Standing – Natural Gas MI-06 thru MI-09	1	50587
	Honeywell VR8304M-4002 Gas Valve Spark – Natural Gas MI-06 thru MI-09, Current	1	50589
	Honeywell SV9601M-4167 Gas Valve Smart Natural Gas MI-06 thru MI-09	1	51683
	Honeywell VR8300C-4035 Gas Valve Standing – LP Gas MI-06 thru MI-09	1	91333
	10	Honeywell Q348A-1358 Spark Pilot – LP Gas, Current	1
Honeywell Q3480B1644/B Spark Pilot Assembly, NG Gas, Current		1	50996
Honeywell Q3480B1041 Pilot – Natural Gas – SV Ignition .022 24, MI Only		1	51295
Honeywell Q3480B1025 Pilot – LP Gas – SV Ignition .016 36, MI Only, (obs 2012)		1	50205
Honeywell Q314U-1001 Universal Standing Pilot – NAT/LP Gas, MI STDG Only		1	51905
Pilot Assy, incl: Pilot, Burner tube w/ bracket & Thermocouple (Kit), MI STDG Only		1	91318
10a	Ignition Cable 30" SPRK, HW 394800-30	1	50640
11	Johnson K1 6BA-24D Thermocouple – 24" STDG, MI Only	1	50838



PeerlessBoilers.com

# Peerless® Series MI85™ /MHI™ /MI™

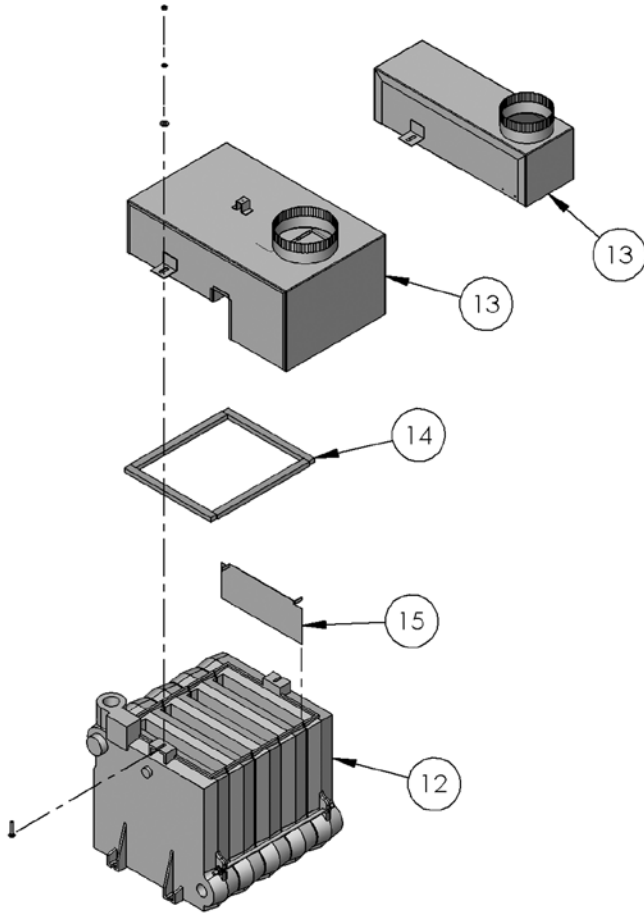
All repair parts orders - no minimum charges.

Please order with code number.

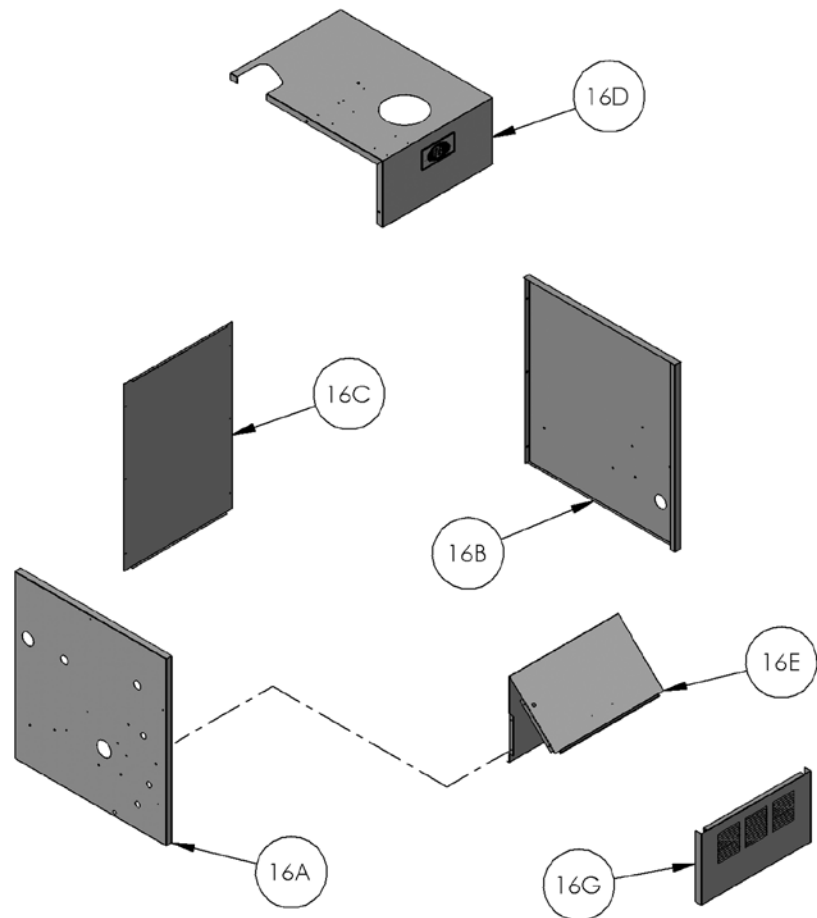
All prices quoted are in U.S. dollars.

All prices subject to change without notice.

All prices F.O.B. Bally, PA



**Block/Draft Hood**



**Jacket**



PeerlessBoilers.com

# Peerless® Series MI85™ /MIH™ /MI™

All repair parts orders - no minimum charges.

Please order with code number.

All prices quoted are in U.S. dollars.

All prices subject to change without notice.

All prices F.O.B. Bally, PA

	Description	Quantity Required	Stock Code
12	Block Assembly – MI, MIH, MIHII-03	1	90419
	Block Assembly – MI, MIH, MIHI-04	1	90420
	Block Assembly – MI, MIH, MIHI-05	1	90421
	Block Assembly – MI, MIH, MIHI-06	1	90422
	Block Assembly – MI-07	1	90423
	Block Assembly – MI-08	1	90424
	Block Assembly – MI-09	1	90425
13	Flue Collector/Draft Hood – MI, MIH, MIHII-03	1	90510
	Flue Collector/Draft Hood – MI, MIH, MIHI-04	1	90511
	Flue Collector/Draft Hood – MI, MIH, MIHII-05	1	90512
	Flue Collector/Draft Hood – MI, MIH, MIHI-06	1	90513
	Flue Collector/Draft Hood – MI-07	1	90514
	Flue Collector/Draft Hood – MI-08	1	90515
	Flue Collector/Draft Hood – MI-09	1	90516
13b	1/4"-20 x 2-1/4" Carriage Bolt w/ Nuts & Washer, (Local Hdwr Supply)	2	-
14	Flue Collector Blanket Seal (Flue Collector Blanket Seal 1/2 X 3/4) 4' to 7'	7.ft	50866
16	Jacket Assembly (Complete Jacket*) –MI, MIH, MIHII-03	1	90445
	Jacket Assembly (Complete Jacket*) – MI, MIH, MIHII-04	1	90446
	Jacket Assembly (Complete Jacket*) – MI, MIH, MIHII-05	1	90447
	Jacket Assembly (Complete Jacket*) – MI-06	1	90448
	Jacket Assembly (Complete Jacket*) – MI-07	1	90449
	Jacket Assembly (Complete Jacket*) – MI-08	1	90450
	Jacket Assembly (Complete Jacket*) – MI-09	1	90451
15	Flue Baffle - 8" – MIH-03	2	51584
	Flue Baffle - 8" – MIH-04	3	51584
	Flue Baffle - 8" – MIH-05	4	51584
	Flue Baffle - 8" – MIH-06	5	51584
16A 16B 16C 16D 16E 16G	*Complete Jacket Consists of: Left Side Panel Right Side Panel Rear Panel Top Upper Front Panel Inner Front Baffle Panel Removable Front Panel		



PeerlessBoilers.com

# Peerless® Series MI85™ /MHI™ /MI™

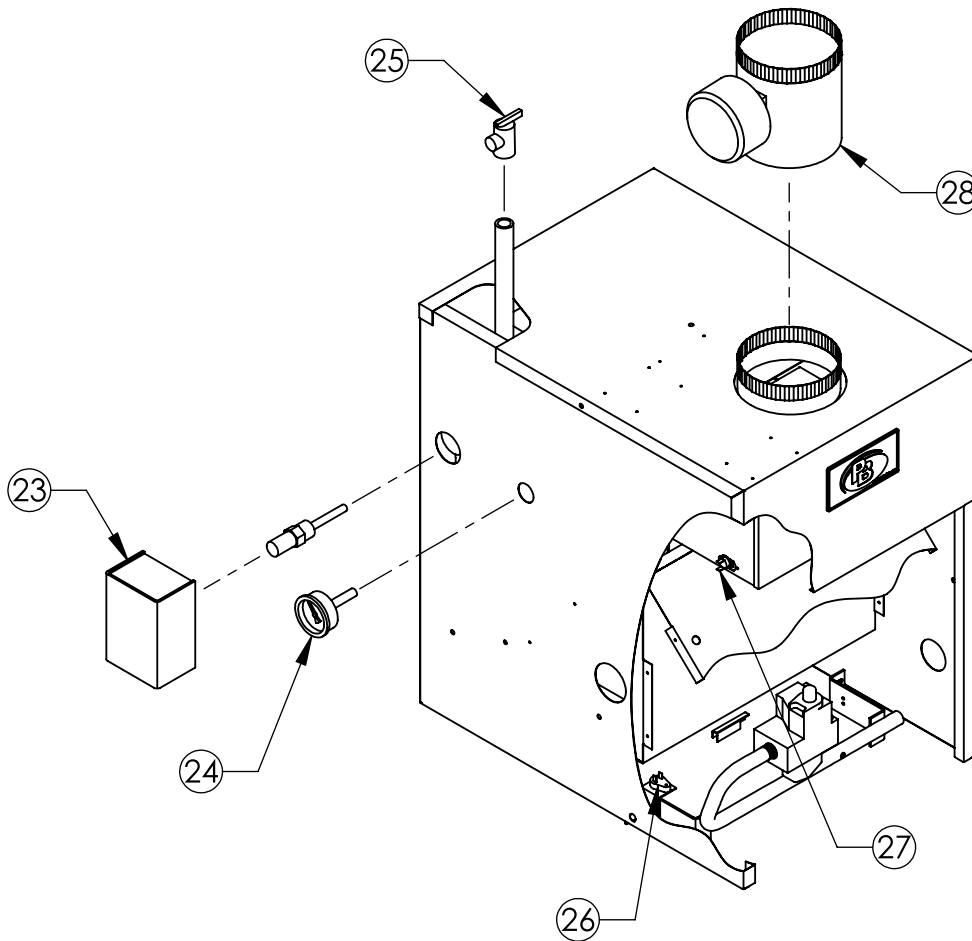
All repair parts orders - no minimum charges.

Please order with code number.

All prices quoted are in U.S. dollars.

All prices subject to change without notice.

All prices F.O.B. Bally, PA



## Controls/Circulator/Vent Damper



PeerlessBoilers.com

# Peerless® Series MI85™ /MIH™ /MI™

All repair parts orders - no minimum charges.  
Please order with code number.  
All prices quoted are in U.S. dollars.  
All prices subject to change without notice.  
All prices F.O.B. Bally, PA

	Description	Quantity Required	Stock Code
23	Honeywell L8148E-1182 Limit w/ 3/4" Well, (Earlier Units, Prior to 2009)	1	51689
	LIMIT HYDROLEVEL 3200 RESET W/ LWCO	☼	50334
	Bracket / Sensor Assy, Hydrostat Surface Mt. 12"	☼	54522
	Bracket/Sensor Assy, Hydrostat Surface Mt 24"	☼	50835
	Outdoor Sensor	☼	54604
	WELL 3/4" NPT Well Std Length		50723
24	Temperature-Pressure Gauge	1	51324
25	Safety Relief Valve, 30 PSI, Conbraco 10-408-05	1	50501
	Safety Relief Valve, 50 PSI, Watts #350	☼	51028
26	Flame Roll-Out Safety Shut-Off Switch	1	51587
27	Blocked Vent Shut-Off (Spill) Switch – MI Only (Pressure Switch)	1	90592
	Blocked Vent Shut-Off (Spill) Switch – MIH, MIHII, MI-85 (Pressure Switch)	1	90593
28	5" Vent Damper – MI, MIH,MI-II, MI-85-03 thru -04	1	90612
	6" Vent Damper – MI, MIH,MI-II, MI-85-05 thru -06	1	90613
	7" Vent Damper – MI-07	1	90614
	8" Vent Damper – MI-08 thru MI-09	1	90615
	Harness Vent Damper MI/MIHII/MI85	1	54482
<b>Conversion Kit Natural to LP Gas, (Earlier Units) MI Only</b>			
N/S	STDG – MI-03 thru MI-06, Serial Number less than 132,000	☼	50670
N/S	STDG – MI-07 thru MI-08, Serial Number less than 132,000	☼	50671
N/S	STDG – MI-03 thru MI-05, Serial Number greater than 132,000	☼	91118
N/S	STDG – MI-06 - Serial Number greater than 132,000	☼	91119
N/S	STDG – MI-07 thru MI-09, Serial Number greater than 132,000	☼	91120
N/S	SPRK – MI-03 thru MI-06, Serial Number less than 132,000	☼	50678
N/S	SPRK – MI-07 thru MI-09, Serial Number less than 132,000	☼	50679
N/S	SV – MI-03 thru MI-06 (2012+)	☼	50692
N/S	SV – MI-07 thru MI-09 (2012+)	☼	50988
<b>Conversion Kit LP to Natural Gas, (Earlier Units) MI Only</b>			
N/S	STDG – MI-03 thru MI-06, Serial Number less than 132000	☼	50666
N/S	STDG – MI-07 thru MI-09, Serial Number less than 132000	☼	50667
N/S	STDG – MI-03 thru MI-05, Serial Number Greater than 132000	☼	91115
N/S	STDG – MI-06, Serial Number Greater than 132000	☼	91116
N/S	STDG – MI-07 thru MI-09, Serial Number Greater than 132000	☼	91117
N/S	SPRK – MI-03 thru MI-06, MIHII-03 thru MIHII-06, MI85-03 thru MI85-06	☼	50674
N/S	SPRK – MI-07 thru MI-09	☼	50675
N/S	SV – MI-03 thru MI-06, (obs) 10/2012	☼	50989
N/S	SV – MI-07 thru MI-09, (obs) 10/2012	☼	50990
<b>Conversion Kits for Standing Pilot &amp; SV Intermittent Gas Valves, (Earlier Units) MI Only</b>			
N/S	From SPRK Sys to STDG-N48 – MI-03 thru MI-06	☼	51011
N/S	From SPRK Sys to STDG-N49 – MI-07 thru MI-08-MC03-08	☼	51012
N/S	From SPRK to STDG-LP56 – MI-03 thru MI-06	☼	51013
N/S	From SPRK to STDG-L57 – MI-07 thru MI-08-MC03-08	☼	51014
N/S	From STDG to SPRK-N48 – MI-03 thru MI-06	☼	51015
N/S	From STDG to SPRK-N49 – MI-07 thru MI-08-MC03-08	☼	51016
N/S	From STDG to SPRK-LP56 – MI-03 thru MI-06	☼	51017
N/S	From STDG to SPRK-LP57 – MI-07 thru MI-08-MC03-08	☼	51018
N/S	From SV to STDG-N – MI-03 thru MI-06, (obs) 10/2012	☼	90132
N/S	From SV to STDG-N – MI-07 thru MI-08-MC03-08, (obs) 10/2012	☼	90136
N/S	From SV to STDG-LP – MI-03 thru MI-05, (obs) 10/2012	☼	90142
N/S	From SV to STDG-LP – MI-03 thru MI-06, (obs) 10/2012	☼	90143
N/S	From SV to STDG-LP – MI-07 thru MI-08-MC03-08, (obs) 10/2012	☼	90144
N/S	From STDG to SV-N – MI-07 thru MI-08-MC03-08, (obs) 10/2012	☼	90147
<b>(Current, MI-Only) Fuel Conversion Kits for Spark Pilot to Spark Pilot</b>			
N/S	Conversion Kit, MI03-06 DE03-06 SPRK Nat to LP (2012+) OR SV TO LP	-	50692
N/S	Conversion Kit, MI03-06 DE03-06 SPRK LP TO NatP (2012+) OR SV TO LP	-	50989
N/S	Conversion Kit, MI07-09 SPRK, LP to Nat (2012+) OR SV TO LP	-	50990
N/S	Conversion Kit, MI07-09 SPRK Nat to LP (2012+) OR SV TO LP	-	50988



PeerlessBoilers.com

# Peerless® Series DE™

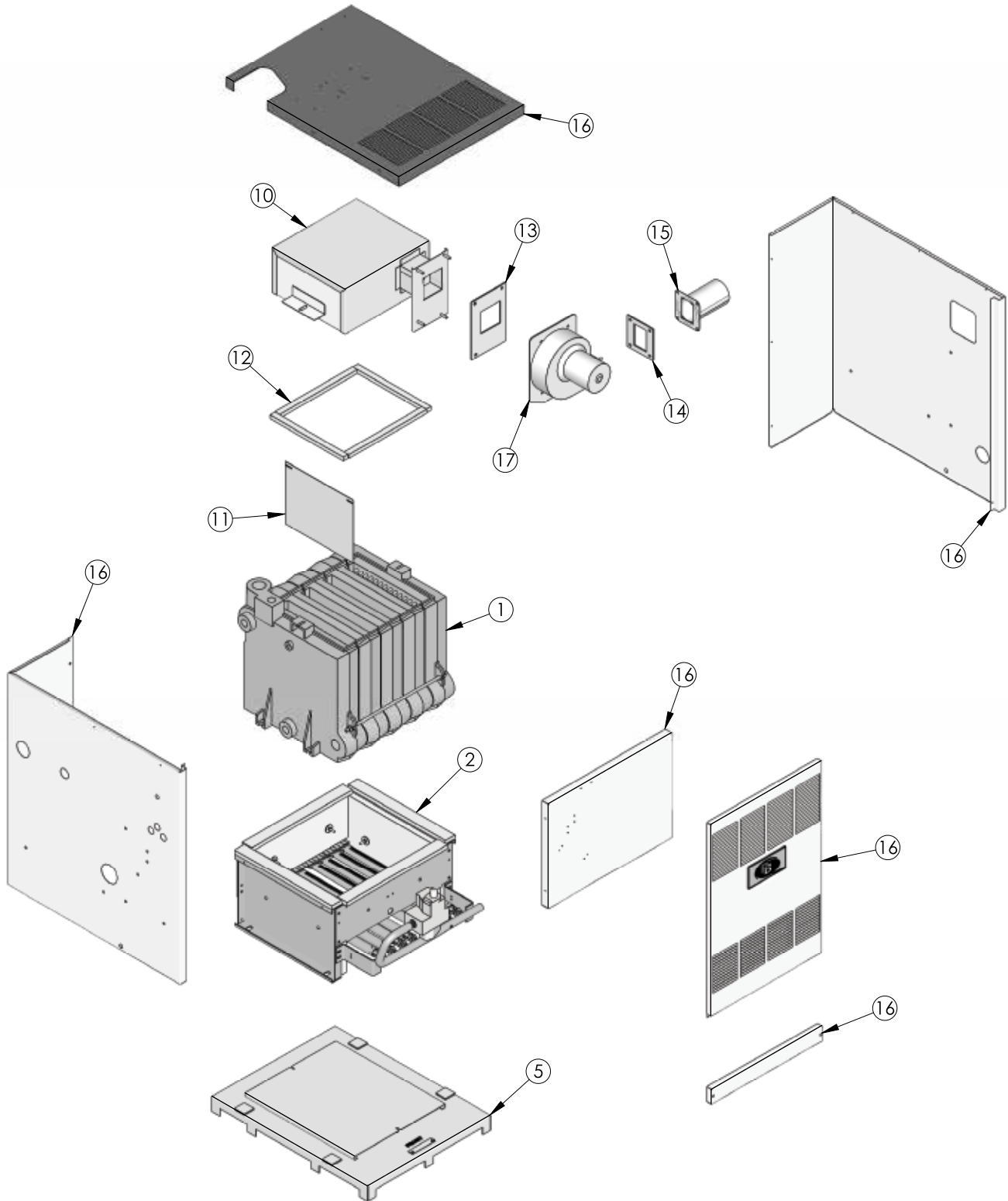
All repair parts orders - no minimum charges.

Please order with code number.

All prices quoted are in U.S. dollars.

All prices subject to change without notice.

All prices F.O.B. Bally, PA







PeerlessBoilers.com

# Peerless® Series DE™

All repair parts orders - no minimum charges.

Please order with code number.

All prices quoted are in U.S. dollars.

All prices subject to change without notice.

All prices F.O.B. Bally, PA

	Description	Quantity Required	Stock Code
1	Block Assembly – DE-03	1	90419
	Block Assembly – DE-04	1	90420
	Block Assembly – DE-05	1	90421
	Block Assembly – DE-06	1	90422
2	Assembled Steel Base – DE-03	1	7800
	Assembled Steel Base – DE-04	1	7801
	Assembled Steel Base – DE-05	1	7802
	Assembled Steel Base – DE-06	1	7803
2a	Base Blanket Seal, (4' to 7')	7.ft	50867
6	Steel Burner w/ Pilot Clip	1	51539
-	Steel Burner – DE-03	3	51537
	Steel Burner – DE-04	5	
	Steel Burner – DE-05	7	
	Steel Burner – DE-06	9	
7	Gas Manifold – DE-03	1	50978
	Gas Manifold – DE-04	1	50979
	Gas Manifold – DE-05	1	50980
	Gas Manifold – DE-06	1	50981
8	Orifice Spud, #48 Natural Gas – DE-03	4	50894
	Orifice Spud, #48 Natural Gas – DE-04	6	
	Orifice Spud, #48 Natural Gas – DE-05	8	
	Orifice Spud, #48 Natural Gas – DE-06	10	
	Orifice Spud, #56 LP Gas – DE-03	4	50899
	Orifice Spud, #56 LP Gas – DE-04	6	
	Orifice Spud, #56 LP Gas – DE-05	8	
	Orifice Spud, #56 LP Gas – DE-06	10	
9	Flame Rollout Safety Shut Off Switch	1	51587
10	Flue Collector/Fan Mount – DE-03	1	90195
	Flue Collector/Fan Mount – DE-04	1	90196
	Flue Collector/Fan Mount – DE-05	1	90197
	Flue Collector/Fan Mount – DE-06	1	90198
10a	1/4"-20 x 2-1/4" Carriage Bolt w/ Nuts & Washer, (Local Hdwr Supply)	2	-
11	Flue Baffle - 8" – DE – 03	2	51584
	Flue Baffle - 8" – DE – 04	3	51584
	Flue Baffle - 8" – DE – 05	4	51584
	Flue Baffle - 8" – DE – 06	5	51584
12	Flue Collector Blanket Seal (Flue Collector Blanket Seal 1/2 X 3/4) 4' to 7'	7.ft	50866
13	Fan Gasket	1	50204
14	Fan Adapter Gasket	1	50203
15	Fan Adapter	1	90199
16	Jacket Assembly – DE-03	1	90244
	Jacket Assembly – DE-04	1	90245
	Jacket Assembly – DE-05	1	90246
	Jacket Assembly – DE-06	1	90247
17	Fan Fasco-7021-9158 – Blower DE-03 thru DE-06 early model (94'-00')	1	51169
	Fan Fasco-7021 10992 – Blower DE-03 thru DE-06 current modern (01'-Present)	1	50212



PeerlessBoilers.com

# Peerless® Series DE™

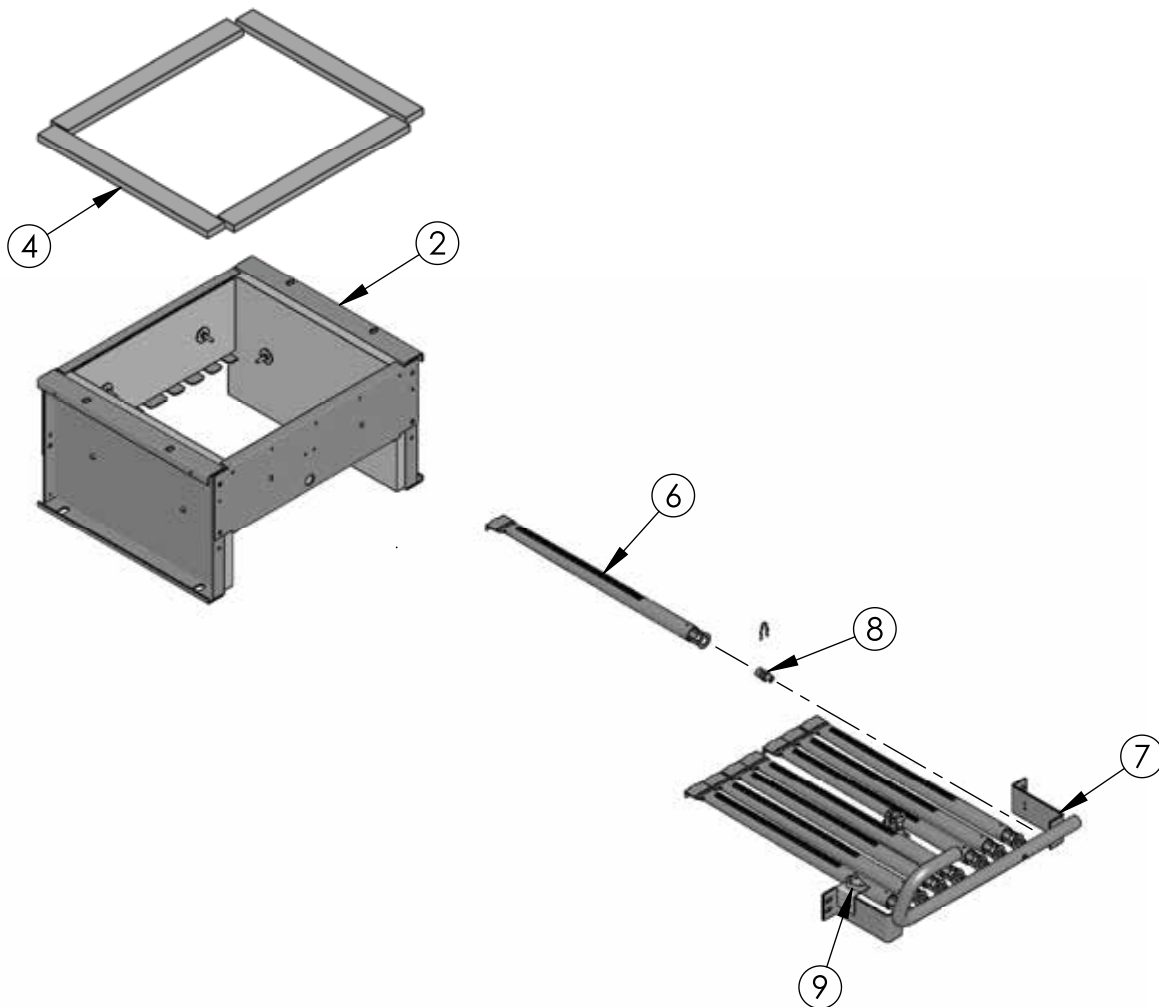
All repair parts orders - no minimum charges.

Please order with code number.

All prices quoted are in U.S. dollars.

All prices subject to change without notice.

All prices F.O.B. Bally, PA





PeerlessBoilers.com

# Peerless® Series DE™

All repair parts orders - no minimum charges.

Please order with code number.

All prices quoted are in U.S. dollars.

All prices subject to change without notice.

All prices F.O.B. Bally, PA

	Description	Quantity Required	Stock Code
2	Assembled Steel Base – DE-03	1	7800
	Assembled Steel Base – DE-04	1	7801
	Assembled Steel Base – DE-05	1	7802
	Assembled Steel Base – DE-06	1	7803
6	Steel Burner w/ Pilot Clip	1	51539
7	Gas Manifold – DE-03	1	50978
	Gas Manifold – DE-04	1	50979
	Gas Manifold – DE-05	1	50980
	Gas Manifold – DE-06	1	50981
8	Orifice Spud, #48 Natural Gas – DE-03	4	50894
	Orifice Spud, #48 Natural Gas – DE-04	6	
	Orifice Spud, #48 Natural Gas – DE-05	8	
	Orifice Spud, #48 Natural Gas – DE-06	10	
	Orifice Spud, #56 LP Gas – DE-03	4	50899
	Orifice Spud, #56 LP Gas – DE-04	6	
	Orifice Spud, #56 LP Gas – DE-05	8	
	Orifice Spud, #56 LP Gas – DE-06	10	
9	Flame Rollout Safety Shut Off Switch	1	51587
-	Honeywell SV9501 M-2700 Smart Gas Valve – Natural Gas – DE-03 thru DE-05	1	51682
-	Honeywell SV9501 M-2064 Smart Gas Valve – LP Gas – DE-03 thru DE-05	1	51691
-	Honeywell SV9601 M-4225 Smart Gas Valve – LP Gas – DE-06	1	51692
-	Honeywell SV9601 M-41 67 Smart Gas Valve – Natural Gas – DE-06	1	51683
-	Honeywell SV9601 M-4225 Smart Gas Valve – LP Gas – DE-06	1	51692
-	Honeywell VR8204A-2183 Spark Gas Valve – LP Gas – DE-03 thru DE-05	1	50584
-	Honeywell VR8304M-4010 Spark Gas Valve – LP Gas – DE-06	1	50590
-	Honeywell VR8204A-2001 Spark Gas Valve – Natural Gas – DE-03 thru DE-05	1	50583
-	Honeywell VR8304M-002 Spark Gas Valve – Natural Gas – DE-06	1	50589
-	Honeywell Q348A-1358 Pilot – LP Gas Spark – DE-03 thru DE-06, OBS	1	-
-	Honeywell Q348A-1 002 Pilot – Natural Gas Spark – DE-03 thru DE-06, OBS	1	-
-	Pilot Assembly, Q3480B1644/B, Natural Gas Spark Ignition	1	50996
-	Pilot Assembly, Q3481B1529/B LP Gas Spark Ignition	1	50997
-	Honeywell Q3480B1041 Pilot – Natural Gas Smart Valve – DE-03 thru DE-06	1	51295
-	Honeywell Q3480B-1 058 Pilot – LP Gas Smart Valve – DE-03 thru DE-06	1	50205
N/S	Ignition Cable 30" SPRK, HW 394800-30, OBS	1	50640
-	Honeywell L4080B-1253 Limit – DE-03 thru DE-06 (early model)	1	50210
N/S	LIMIT HYDROLEVEL 3200 RESET W/ LWCO	☼	50334
N/S	Bracket / Sensor Assy, Hydrostat Surface Mt. 12"	☼	54522
N/S	WELL 3/4" NPT Well Std Length	☼	50723
N/S	Ignition Control Spark Gas – Honeywell S861 0M-1 003	1	50672
N/S	Zettler ZC90113-177 Transformer & 24V Relay (Earlier Models Only)	1	50786
N/S	Pressure Switch Cleveland NS2 1104-03 – 1.68" W.C. Set Point Pink – DE-03	1	50038
N/S	Pressure Switch Cleveland NS2 1104-02 – 1.47" W.C. Set Point Purple – DE-04 & DE-05	1	50037
N/S	Pressure Switch Cleveland NS2 1104-01 – 1.27" W.C. Set Point Brown – DE-06	1	50036
N/S	120V, Zettler Relay ZC90341,(Earlier Models Only)	1	50790
N/S	TRANS ZETTLER ZC90113-178 120/24 40V W/ Relay Socket		50787
-	24V White Rodgers Relay 90-340 (Current Models Only)	1	50726
-	Safety Relief Valve 30 PSI Conbraco 10-408-05	1	50501
-	Safety Relief Valve 50 PSI Watts #350	☼	51028
-	Temperature Pressure Gauge	1	51324
-	Conversion Kit DE-03 thru DE-05 – From SPRK-LP to SPRK-N (early model)	☼	50662
-	Conversion Kit DE-06 – From SPRK-LP to SPRK-N (early model)	☼	50663
-	Conversion Kit DE-06 – From SV-LP to SV-N (early model)	☼	50990
-	Conversion Kit DE03, DE-05 – From SV-LP to SV-N (early model)	☼	50989
-	Conversion Kit DE03, DE-06 – From SV-N to SV-LP (early model)	☼	50988
-	Conversion Kit DE-03, DE-06 – From SPRK-N to SPRK-LP (early model)	☼	90966
<b>(Current, DE-03 thru -06) Fuel Conversion Kits for Spark Pilot to Spark Pilot</b>			
N/S	Conversion Kit MI03-06 DE03-06 SPRK Nat to LP (2012+) OR SV TO LP	☼	50692
N/S	Conversion Kit MI03-06 DE03-06 SPRK LP TO Nat (2012+) OR SV TO N	☼	50989



PeerlessBoilers.com

# Peerless® Series PSC™

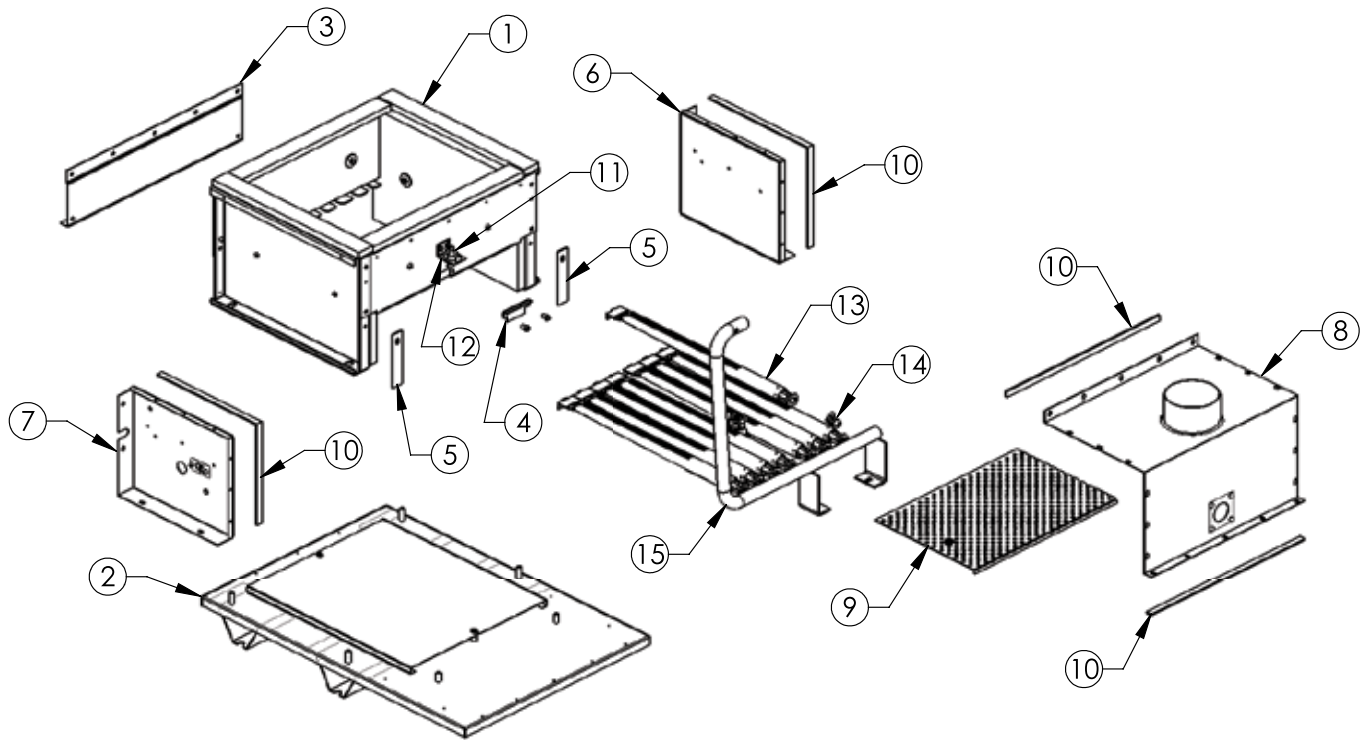
All repair parts orders - no minimum charges.

Please order with code number.

All prices quoted are in U.S. dollars.

All prices subject to change without notice.

All prices F.O.B. Bally, PA





PeerlessBoilers.com

# Peerless® Series PSC™

All repair parts orders - no minimum charges.

Please order with code number.

All prices quoted are in U.S. dollars.

All prices subject to change without notice.

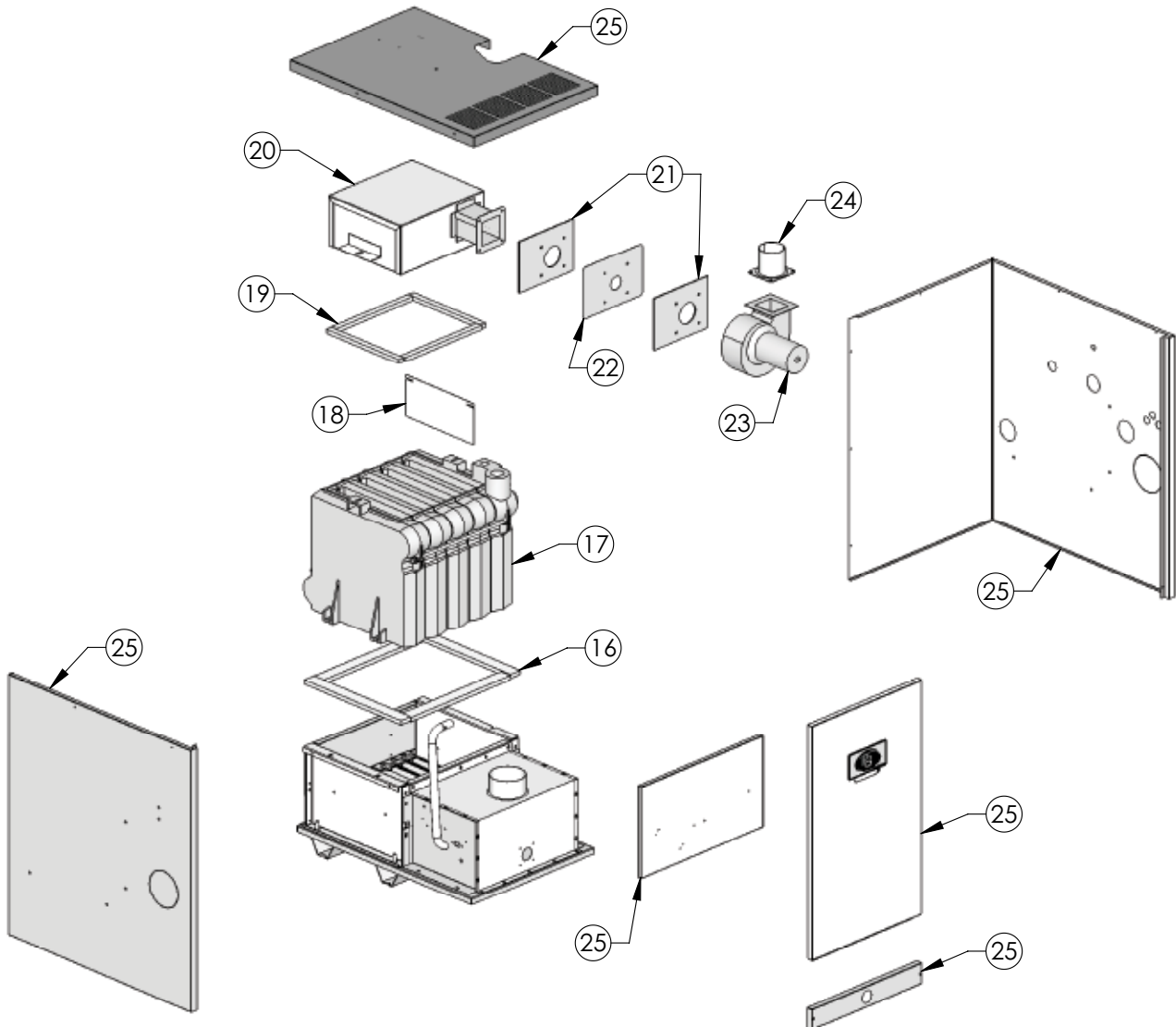
All prices F.O.B. Bally, PA

	Description	Quantity Required	Stock Code
1	Base Assembly – PSC-03	1	7800
	Base Assembly – PSC-04	1	7801
	Base Assembly – PSC-05	1	7802
	Base Assembly – PSC-06	1	7803
2	Floor Pan – PSC-03	1	50100
	Floor Pan – PSC-04	1	50101
	Floor Pan – PSC-05	1	50102
	Floor Pan – PSC-06	1	50103
3	Base Rear Panel Assembly – PSC-03	1	PSC2000
	Base Rear Panel Assembly – PSC-04	1	PSC2000-1
	Base Rear Panel Assembly – PSC-05	1	PSC2000-2
	Base Rear Panel Assembly – PSC-06	1	PSC2000-3
4	Base Observation Port Cover	1	51771
5	Base/Air Box Spacer – 92	2	50152
6	Air Box Right Side	1	PSC2023
7	Air Box Left Side	1	PSC2024
8	Air Box Top/Front Cover – PSC-03	1	50143
	Air Box Top/Front Cover – PSC-04	1	50144
	Air Box Top/Front Cover – PSC-05	1	50145
	Air Box Top/Front Cover – PSC-06	1	50146
9	Air Box Diffuser Screen – PSC-03	1	PSC2025
	Air Box Diffuser Screen – PSC-04	1	PSC2025-1
	Air Box Diffuser Screen – PSC-05	1	PSC2025-2
	Air Box Diffuser Screen – PSC-06	1	PSC2025-3
10	Tape Seal Gasket, 12" x 18" , Air Box, 7ft.	7	50718
11	Flame Rollout Switch, Therm-O-Disc G4AM00_167C	1	51587
12	Flame Rollout Switch Bracket	1	50136
13	Steel Burner – PSC-03	3	51536
	Steel Burner – PSC-04	5	51536
	Steel Burner – PSC-05	7	51536
	Steel Burner – PSC-06	9	51536
-	Burner with Pilot Bracket	1	51535
14	Orifice, #48, Normal Altitude Natural Gas Only – PSC-03	4	50894
	Orifice, #48, Normal Altitude Natural Gas Only – PSC-04	6	50894
	Orifice, #48, Normal Altitude Natural Gas Only – PSC-05	8	50894
	Orifice, #48, Normal Altitude Natural Gas Only – PSC-06	10	50894
	Orifice, #56, Normal Altitude LP Gas Only – PSC-03	4	50899
	Orifice, #56, Normal Altitude LP Gas Only – PSC-04	6	50899
	Orifice, #56, Normal Altitude LP Gas Only – PSC-05	8	50899
	Orifice, #56, Normal Altitude LP Gas Only – PSC-06	10	50899
15	Gas Manifold – PSC-03	1	50121
	Gas Manifold – PSC-04	1	50122
	Gas Manifold – PSC-05	1	50123
	Gas Manifold – PSC-06	1	50124



# Peerless® Series PSC™

All repair parts orders - no minimum charges.  
Please order with code number.  
All prices quoted are in U.S. dollars.  
All prices subject to change without notice.  
All prices F.O.B. Bally, PA





PeerlessBoilers.com

# Peerless® Series PSC™

All repair parts orders - no minimum charges.

Please order with code number.

All prices quoted are in U.S. dollars.

All prices subject to change without notice.

All prices F.O.B. Bally, PA

	Description	Quantity Required	Stock Code
16	Base Blanket Seal, (4' to 7')	7.ft	50867
17	Block – PSC-03	1	90419
	Block – PSC-04	1	90420
	Block – PSC-05	1	90421
	Block – PSC-06	1	90422
18	Flue Baffle – PSC-03	2	51584
	Flue Baffle – PSC-04	3	51584
	Flue Baffle – PSC-05	4	51584
	Flue Baffle – PSC-06	5	51584
19	Flue Collector Blanket Seal (, Flue Collector Blanket Seal 1/2 X 3/4) 4' to 7'	7	50866
20	Flue Collector – PSC-03	1	50171
	Flue Collector – PSC-04	1	50172
	Flue Collector – PSC-05	1	50173
	Flue Collector – PSC-06	1	50174
21	Gasket, Orifice Plate	2	50135
22	Orifice Plate, Normal Altitude Natural Gas Models Only – PSC-03	1	PSC5017
	Orifice Plate, Normal Altitude Natural Gas Models Only – PSC-04	1	PSC5017-1
	Orifice Plate, Normal Altitude Natural Gas Models Only – PSC-05	1	PSC5017-2
	Orifice Plate, Normal Altitude Natural Gas Models Only – PSC-06	1	PSC5017-3
	Orifice Plate, Normal Altitude LP Gas Models Only – PSC-03	1	PSC5018
	Orifice Plate, Normal Altitude LP Gas Models Only – PSC-04	1	PSC5018-1
	Orifice Plate, Normal Altitude LP Gas Models Only – PSC-05	1	PSC5018-2
	Orifice Plate, Normal Altitude LP Gas Models Only – PSC-06	1	PSC5018-3
23	Fan, PSC, (Earlier Models Only) NLA, see 50773	1	50775
	Fan, PSC, and PSCII	1	50773
24	Gasket Fan outlet, PSC	1	PSC5019
24a	Fan Adapter PSC, NLA,	1	50200
27	Jacket – PSC-03, NLA,	1	90729
	Jacket – PSC-04, NLA,	1	90730
	Jacket – PSC-05, NLA,	1	90731
	Jacket – PSC-06, NLA,	1	90732
N/S	Ignition Control -HW, S8610M-3009, NAT	1	50672
-	Gas Valve, SV9501 M2700, Natural Gas	1	51682
-	Gas Valve, SV9501 M2064, LP Gas	1	51691
	Honeywell Q3480B1025 Pilot – Natural Gas – SV Ignition .022 24"	1	-
	Honeywell Q3480B1025 Pilot – LP Gas – SV Ignition .016 36, MI Only,(obs 2012)	1	50205
-	Honeywell VR8204A-2001 Spark Gas Valve – Natural Gas – PSC-03 thru 5	1	50583
-	Honeywell VR8304M-002 Spark Gas Valve – Natural Gas – PSC-06	1	50589
-	Pilot Assembly, Q3480B1 058, w/ Natural Gas Orifice, Obs replaced by 50996	1	90760
-	Pilot, Q3480B1 058, LP Gas , Obs replaced by 50996	1	50997
N/S	Pilot Assembly, Q3480B1644/B, w/ Natural & LP Gas Orifice w/ Cable	1	50996
N/S	Ignition Cable 30" SPRK, HW 394800-30, Obs replaced by 50996	1	50640
N/S	PSC Nat to LP Conversion Kit, SV or SPRK	1	90734
N/S	PSC LP to Nat Conversion Kit, SV or SPRK	1	90733
-	Limit Control, L4080B1 253 (less well) (Earlier Models Only)	1	50210
N/S	Zettler ZC90113-117 Transformer & 24V Relay (Earlier Models Only)	1	50786
N/S	Cleveland NS2-1104-00 Switch – 0.38" W.C. Set Point Red, PSC-03 thru 6	1	50035
N/S	120V, Zettler Relay ZC90341,(Earlier Models Only)	1	50790
N/S	24V Zettler Relay ZC90341, (Current Models Only)	1	50726
N/S	Safety Relief Valve 30 PSI Conbraco 10-408-05	1	50501
N/S	Safety Relief Valve 50 PSI Watts #350	☼	51028
N/S	Temperature Pressure Gauge	1	51324



PeerlessBoilers.com

# Peerless® Series TC™

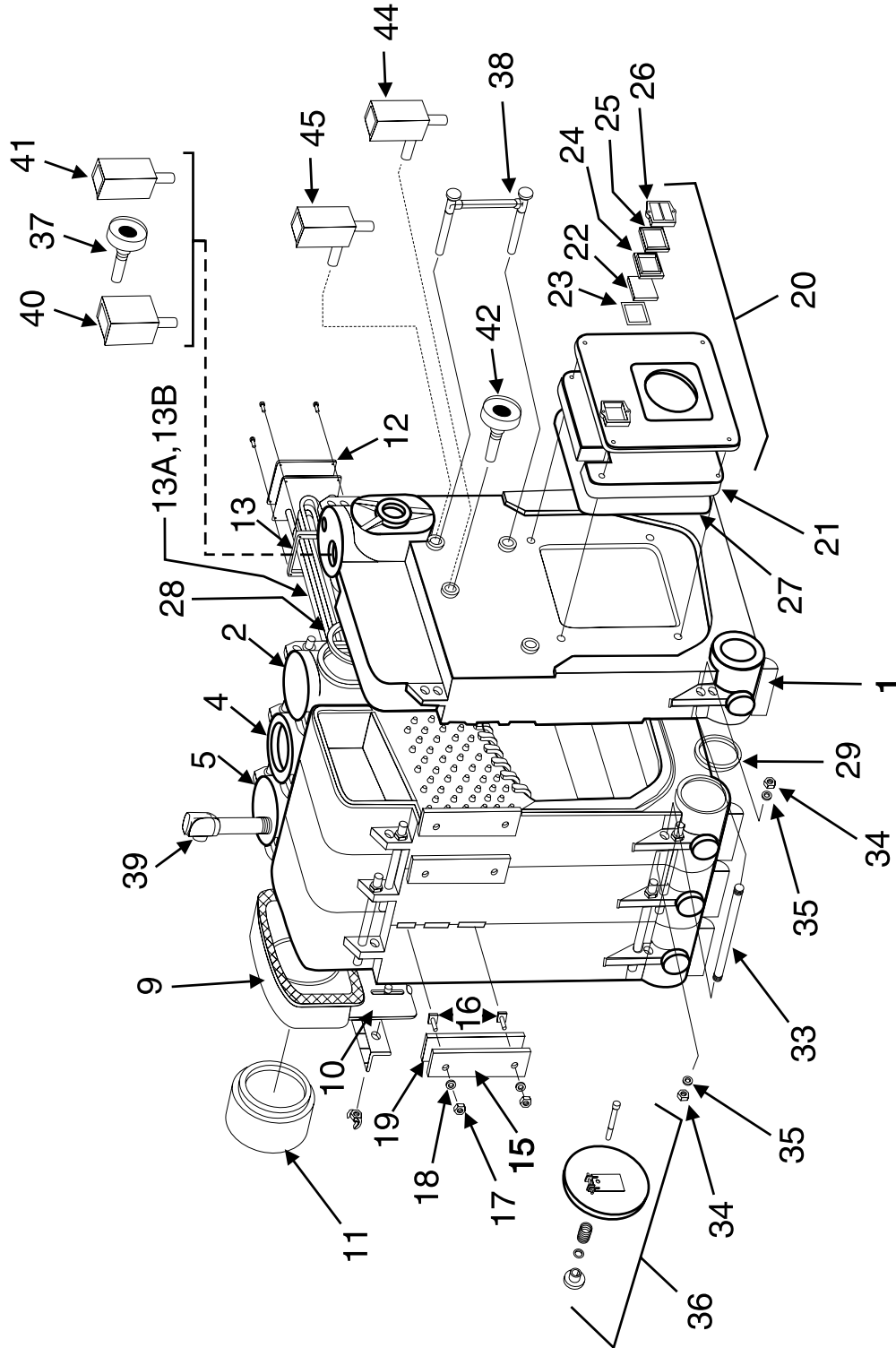
All repair parts orders - no minimum charges.

Please order with code number.

All prices quoted are in U.S. dollars.

All prices subject to change without notice.

All prices F.O.B. Bally, PA







PeerlessBoilers.com

# Peerless® Series TC™

All repair parts orders - no minimum charges.

Please order with code number.

All prices quoted are in U.S. dollars.

All prices subject to change without notice.

All prices F.O.B. Bally, PA

	Description	Quantity Required	Stock Code
1	Front Section	1	76014
1a	Requires ,5" Flange w/ 8-1/2_ Bolt Pattern	1	99431
-	Intermediate Section	-	76002
2	Intermediate Section w/ Heater Connection	-	76004
4	Intermediate Section w/ Supply Connection	-	76003
5	Back Section	1	76015
5a	Requires , Cover Plate	1	76091
<b>Flue Collector Assembly includes: Flue Collector, Slide Damper and Angle Bracket</b>			
9	Flue Collector Assembly (4-6 section)	1	76060
	Flue Collector Assembly (7-8 section)	1	76061
	Flue Collector Assembly (9-13 section)	1	76062
	Flue Collector Assembly (14-18 section)	1	76063
10	Slide Damper Only (4-8 section)	Not Available	
	Slide Damper Only (9-13 section)	Not Available	
	Slide Damper Only (14-18 section)	Not Available	
11	16" to 18" Increaser (17-18 section)	1	76064
12	Tan kless Coil Cover Plate Assembly	-	76075
13	Tan kless Coil Cover Plate Gasket	-	74019
13A	Tankless Coil (8 GPM)	-	76073
13B	Tankless Coil (12 GPM)	Not Available	
<b>Cleanout Cover Plate Includes – Must Order 20 to 27: Cleanout Plate, Insulation, Rope and Hardware</b>			
15	Cleanout Cover Plate	-	7807
16	Cleanout Cover Plate Bolts	2	7622
17	Cleanout Cover Plate Nut	4	51574
18	Cleanout Cover Plate Washer	2	86
19	Rope Seal (3/8" dia. x 3-3/4" long)	4. ft	55521
<b>Burner Mounting Plate Assembly – Must Order 20 to 27: Burner Mounting Plate, Observation Port Glass and Cover</b>			
20	Burner Mounting Plate – 7-3/4"	1	76028
	Burner Mounting Plate – 8-1/2"	1	76023
	Burner Mounting Plate – 9"	1	76027
	Burner Mounting Plate – 10-1/4" (Web-JB2)	1	76026
	Burner Mounting Plate – 10-1/4" (GP-R10.1)	1	76025
	Burner Mounting Plate – 10-1/4" (STD) (GP-R10.1)	1	76025
	Burner Mounting Plate – 12-1/2"	1	76022
-	Burner Mounting Plate Hardware	1	7653
21	Burner Insulating Block	1	76029
-	Insulating Block Hardware (1/4-20 X 5"Nut, Bbolt & Washer)	4	7720
22	Observation Glass Only	1	7648
23	Observation Glass Gasket	1	7650
24	Observation Glass Gasket	1	7649
25	Observation Glass Retainer	1	7651
26	Observation Cover Plate	Not Available	
27	Rope Seal (3/8" x 7" long)	7. ft	55521
28 & 29	Graphite Port Connector, (1 sets)	1	7655
	Graphite Port Connector A (3 sets)	1	76053
	Graphite Port Connector B (4 sets)	1	76054
	Graphite Port Connector C (5 sets)	1	76055

	Description	Quantity Required	Stock Code
N/S	Rope Seal (1/2" x 12-1/2' long) Between Sections	12.5 ft	7964
33	5/8" x 11" Draw Rod	4	7621
34	5/8" Hex Nuts	4	51567
35	5/8" Washer	4	7289
N/S	Spray Adhesive	1	55485
36	Rear Observation Port Assembly	1	7632
<b>Steam Trim and Controls</b>			
37	3-1/2" Steam Gauge w/ Internal Siphon	1	51769
38	Gauge Glass Set	1	50521
39	1-1/4" Safety Relief Valve 15 PSI (4-5 Section)	1	50508
	1-1/2" Safety Relief Valve 15 PSI (6-7 Section)	1	50509
	2" Safety Relief Valve 15 PSI (8-10 Section)	1	50503
	2-1/2" Safety Relief Valve 15 PSI (11-13 Section)	1	50504
	3" Safety Relief Valve 15 PSI (14-16 Section)	1	50505
	2-1/2" Safety Relief Valve 15 PSI (17-18 Section)	1	50511
40	PA404A Operating Control	1	50549
41	L404C Limit Control	1	50681
<b>Water Trim and Controls</b>			
42	Pressure/Temperature Gauge	1	55737
N/S	3/4" - 30 PSI Water Relief Valve (4 Section)	1	51300
39	1" - 30 PSI Water Relief Valve (4-6 Section)	1	51301
N/S	1-1/4" - 30 PSI Water Relief Valve (7-10 Section)	1	51302
N/S	1-1/2" - 30 PSI Water Relief Valve (11-14 Section)	1	51303
N/S	2" - 30 PSI Water Relief Valve (15-18 Section)	1	51304
44	L4006A Operating Control	1	51702
45	L4006E Limit Control	1	50570
46	Return Yoke (not pictured), (Obsolete 10/09)	1	76072
N/S	Balanced Temperature Return Cover Plate (Steam)	1	76091
<b>Jackets</b>			
-	Front/Rear	Not Available	
-	Top/Side A	Not Available	
-	Top/Side B	Not Available	
-	Top/Side C	Not Available	
-	Top Side D	Not Available	
-	Top/Side E	Not Available	
-	Top Side F	Not Available	
-	Top/Side G	Not Available	
-	Top Side H	Not Available	
-	Top/Side I	Not Available	
-	Top/Side J	Not Available	
<b>Assembly Kit</b>			
N/S	Assembly Kit A 4 Section	-	76050
N/S	Assembly Kit B 5 Section	-	76051
N/S	Assembly Kit C 6 Section	-	76052



PeerlessBoilers.com

# Peerless® Partner® PT

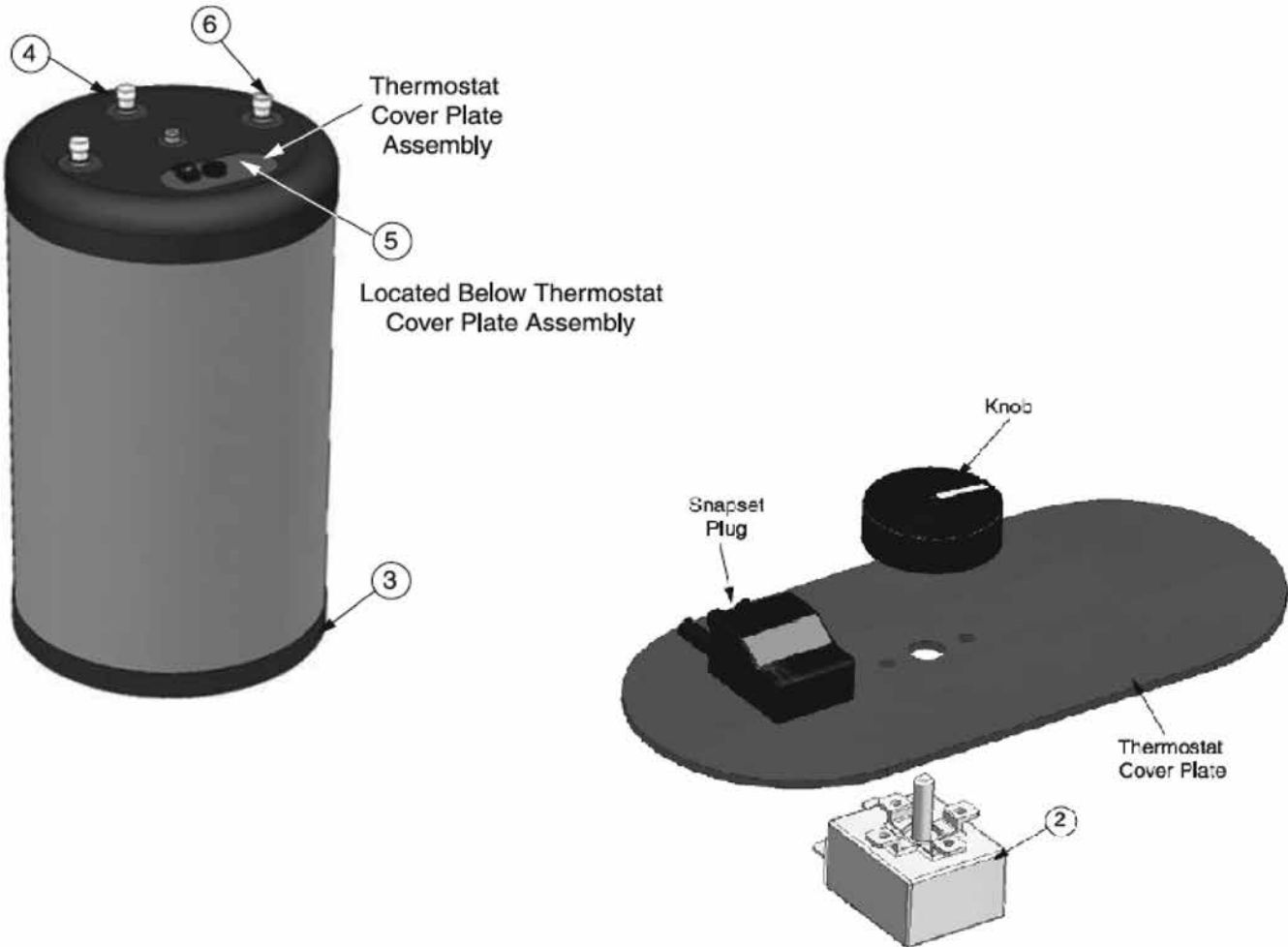
All repair parts orders - no minimum charges.

Please order with code number.

All prices quoted are in U.S. dollars.

All prices subject to change without notice.

All prices F.O.B. Bally, PA





PeerlessBoilers.com

# Peerless® Partner® PT

All repair parts orders - no minimum charges.

Please order with code number.

All prices quoted are in U.S. dollars.

All prices subject to change without notice.

All prices F.O.B. Bally, PA

	<i>Description</i>	<i>Quantity Required</i>	<i>Stock Code</i>
1	Air vent	1	51329
2	Limit Control (160°F, 15°F Diff )	1	51330
	Limit Control (194°F, 15°F Diff )	1	51331
2a	DHW Sensor, Optional ( PT Partner) 12kOhm Tasseron TSK10B7	1	54478
3	Botton Cap, 30 thru 60	1	51332
	Botton Cap, 80	1	51333
	Botton Cap, 120	1	51334
4	Top Cap, 30 thru 60	1	51335
	Top Cap, 80	1	51336
	Top Cap, 120	1	51337
5	Dry Well , for Limit , 30	1	51338
	Dry Well , for Limit, 40	1	51339
	Dry Well , for Limit, 50	1	51340
	Dry Well , for Limit, 60 & 80	1	51341
	Dry Well , for Limit, 120	1	51342
6	Dip Tube for, 30	1	51343
	Dip Tube for, 40	1	51344
	Dip Tube for, 50	1	51345
	Dip Tube for, 60 & 80	1	51346
	Dip Tube for, 120	1	51347
7	Temp. / Press. Relief Valve (100 MBH, 8" Element)	1	-
	Temp. / Press. Relief Valve (200 MBH, 8" Element)	1	-