



PeerlessBoilers.com

Peerless® Series TCII™

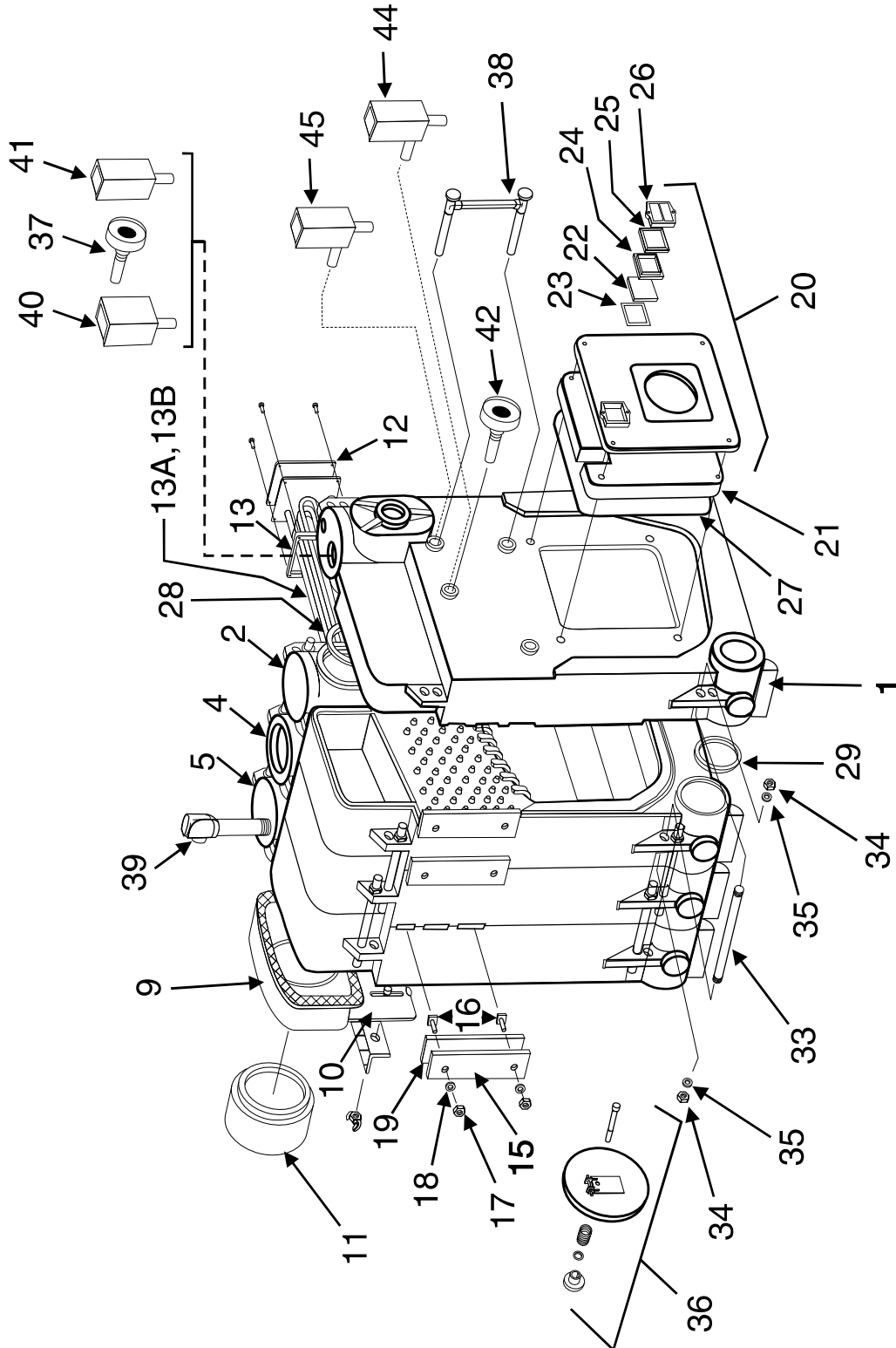
All repair parts orders - no minimum charges.

Please order with code number.

All prices quoted are in U.S. dollars.

All prices subject to change without notice.

All prices F.O.B. Bally, PA





PeerlessBoilers.com

Peerless® Series TCI™

All repair parts orders - no minimum charges.

Please order with code number.

All prices quoted are in U.S. dollars.

All prices subject to change without notice.

All prices F.O.B. Bally, PA

	Description	Quantity Required	Stock Code
1	Front Section	1	76014
-	Intermediate Section	-	76002
2	Intermediate Section w/ Heater Connection	-	76004
4	Intermediate Section w/ Supply Connection	-	76003
5	Back Section	1	76015
Flue Collector Assembly includes: Flue Collector, Slide Damper and Angle Bracket			
9	Flue Collector Assembly (4-6 section)	1	76060
	Flue Collector Assembly (7-8 section)	1	76061
	Flue Collector Assembly (9-13 section)	1	76062
	Flue Collector Assembly (14-18 section)	1	76063
10	Slide Damper Only - OBSOLETE	-	N/A
11	16" to 18" Inceaser (17-18 section)	1	76064
12	Tankless Coil Cover Plate Assembly	-	76075
13	Tankless Coil Cover Plate Gasket	-	74019
13A	Tankless Coil (8 GPM)	-	76073
Cleanout Cover Plate Assembly			
15	Cleanout Cover Plate Assembly w/ rope seal and hardware	-	90777
16	Cleanout Cover Plate Bolts	-	CF
17	Cleanout Cover Plate Nut	-	CF
18	Cleanout Cover Plate Washer	-	CF
Burner Mounting Plate Assembly – Must Order 20 to 27: Burner Mounting Plate, Observation Port Glass and Cover			
20	Burner Mounting Plate – 7-3/4"	-	76028
	Burner Mounting Plate – 8-1/2"	-	76023
	Burner Mounting Plate – 9"	-	76027
	Burner Mounting Plate – 10-1/4" (STD)	-	76025
	Burner Mounting Plate – 12-1/2"	-	76022
-	Burner Mounting Plate Hardware	1	90712
21	Burner Insulating Block	1	76029
-	Burner Insulating Block Hardware	1	90717
22	Observation Glass Only	1	7648
23	Observation Glass Gasket	1	7650
24	Observation Glass Gasket	1	7649
25	Observation Glass Retainer	1	7651
26	Observation Cover Plate	1	7677
27	Rope Seal (3/8" x 7' long)	7 ft	55521

	Description	Quantity Required	Stock Code
28 & 29	Graphite Port Connector A (Single set)	1	7655
	Graphite Port Connector A (3 sets)	1	76053
	Graphite Port Connector B (4 sets)	1	76054
	Graphite Port Connector C (5 sets)	1	76055
-	Rope Seal (1/2" x 12-1/2' long) Between Sections	12.5 ft	7964
33	5/8" x 11" Draw Rod	4	7621
34	5/8" Hex Nuts	8	51567
35	5/8" Washer	8	7289
-	Spray Adhesive	1	55485
36	Rear Observation Port Assembly	1	7632
Steam Trim and Controls			
37	3-1/2" Steam Gauge w/ Internal Siphon	1	51769
38	11" Gauge Glass Set	1	50521
39	1-1/4" Safety Relief Valve 15 PSI (4-5 Section)	1	50508
	1-1/2" Safety Relief Valve 15 PSI (6-7 Section)	1	50509
	2" Safety Relief Valve 15 PSI (8-10 Section)	1	50503
	2-1/2" Safety Relief Valve 15 PSI (11-13 Section)	1	50504
	3" Safety Relief Valve 15 PSI (14-16 Section)	1	50505
-	2-1/2" Safety Relief Valve 15 PSI (17-18 Section)	1	50511
40	PA404A Operating Control	1	50549
41	L404C Limit Control	1	50681
Water Trim and Controls			
42	Pressure/Temperature Gauge	1	55737
-	3/4" – 30 PSI Water Relief Valve (4 Section)	1	51300
39	1" – 30 PSI Water Relief Valve (4-6 Section)	1	51301
-	1-1/4" – 30 PSI Water Relief Valve (7-10 Section)	1	51302
-	1-1/2" – 30 PSI Water Relief Valve (11-14 Section)	1	51303
-	1-1/2" – 40 PSI Water Relief Valve (15-18 Section)	1	6899
44	L4006A Operating Control	1	51702
45	L4006E Limit Control	1	50570
-	Balanced Temperature Return Cover Plate (Steam)	1	76091
Assembly Kit			
-	Assembly Kit A 4 Section	1	76156
-	Assembly Kit B 5 Section	1	76157
-	Assembly Kit C 6 Section	1	76158



PeerlessBoilers.com

Peerless® Series TCII™

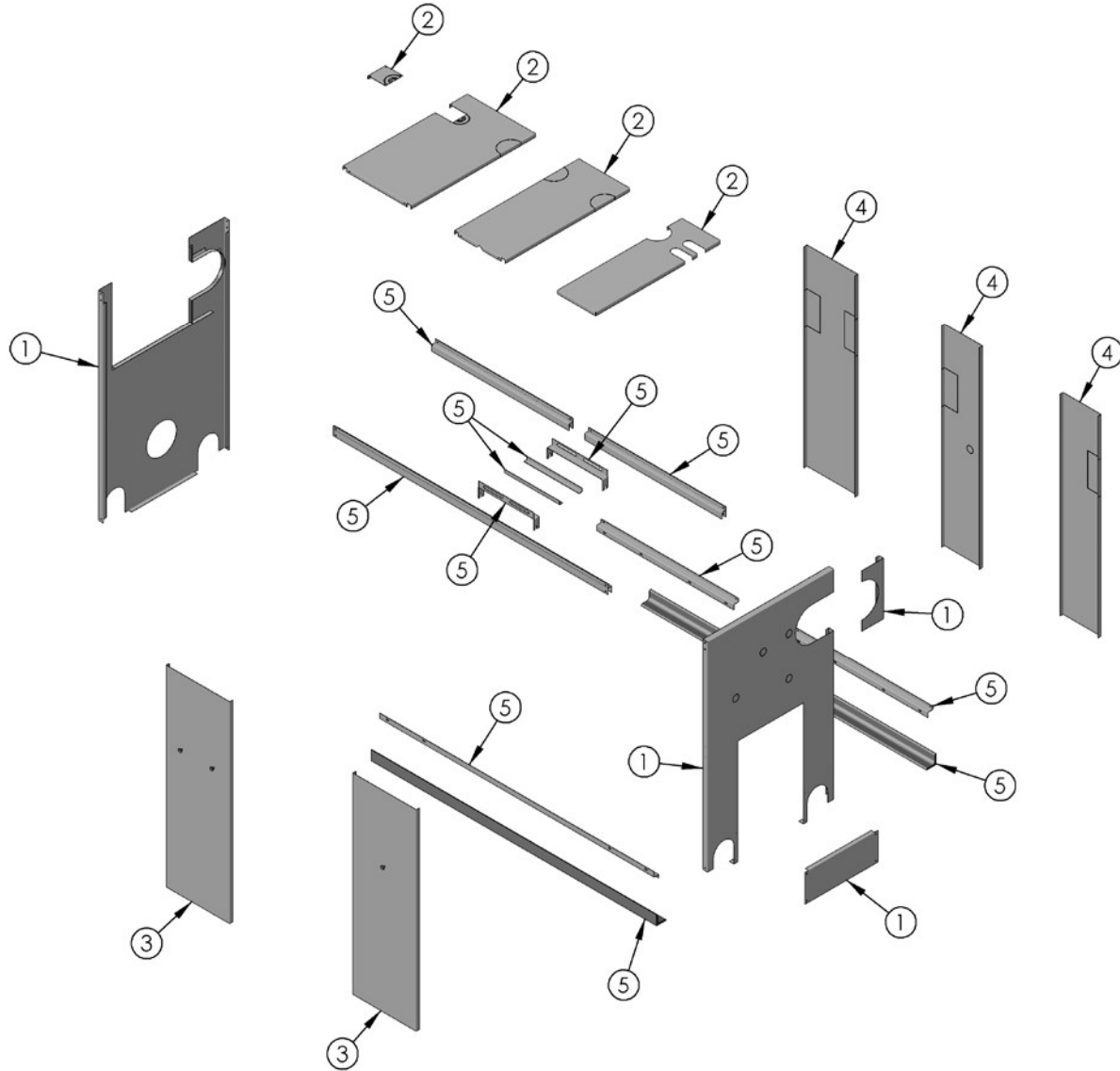
All repair parts orders - no minimum charges.

Please order with code number.

All prices quoted are in U.S. dollars.

All prices subject to change without notice.

All prices F.O.B. Bally, PA





PeerlessBoilers.com

Peerless® Series TCII™

All repair parts orders - no minimum charges.

Please order with code number.

All prices quoted are in U.S. dollars.

All prices subject to change without notice.

All prices F.O.B. Bally, PA

	Description	Quantity Required	Stock Code
1	Front/Rear panel – All Sizes	–	76100
2	CTN Top Panels – TCII-04	–	76104
2	CTN Top Panels – TCII-05	–	76105
2	CTN Top Panels – TCII-06	–	76106
2	CTN Top Panels – TCII-07	–	76107
2	CTN Top Panels – TCII-08	–	76108
2	CTN Top Panels – TCII-09	–	76109
2	CTN Top Panels – TCII-10	–	76110
2	CTN Top Panels – TCII-1 1	–	76111
2	CTN Top Panels – TCII-12	–	76112
2	CTN Top Panels – TCII-13	–	76113
2	CTN Top Panels – TCII-14	–	76114
2	CTN Top Panels – TCII-15	–	76115
2	CTN Top Panels – TCII-16	–	76116
2	CTN Top Panels – TCII-17	–	76117
2	CTN Top Panels – TCII-18	–	76118
3 & 4	Left/Right Panels – TCII-04	–	76119
3 & 4	Left/Right Panels – TCII-05	–	76120
3 & 4	Left/Right Panels – TCII-06	–	76121
3 & 4	Left/Right Panels – TCII-07	–	76122
3 & 4	Left/Right Panels – TCII-08	–	76123
3 & 4	Left/Right Panels – TCII-09	–	76124
3 & 4	Left/Right Panels – TCII-10	–	76125
3 & 4	Left/Right Panels – TCII-11	–	76126
3 & 4	Left/Right Panels – TCII-12	–	76127
3	Left Side Panels – TCII-13	–	76128
3	Left Side Panels – TCII-14	–	76129
3	Left Side Panels – TCII-15	–	76130
3	Left Side Panels – TCII-16	–	76131
3	Left Side Panels – TCII-17	–	76132
3	Left Side Panels – TCII-18	–	76133
4	Right Side Panels – TCII-13	–	76134
4	Right Side Panels – TCII-14	–	76135
4	Right Side Panels – TCII-15	–	76136
4	Right Side Panels – TCII-16	–	76137
4	Right Side Panels – TCII-17	–	76138
4	Right Side Panels – TCII-18	–	76139
5	Jacket Channel Rails – TCII-04	–	76164
5	Jacket Channel Rails – TCII-05	–	76165
5	Jacket Channel Rails – TCII-06	–	76166
5	Jacket Channel Rails – TCII-07	–	76167
5	Jacket Channel Rails – TCII-08	–	76168
5	Jacket Channel Rails – TCII-09	–	76169
5	Jacket Channel Rails – TCII-10	–	76170
5	Jacket Channel Rails – TCII-1 1	–	76171
5	Jacket Channel Rails – TCII-12	–	76172
5	Jacket Channel Rails – TCII-13	–	76173
5	Jacket Channel Rails – TCII-14	–	76174
5	Jacket Channel Rails – TCII-15	–	76175
5	Jacket Channel Rails – TCII-16	–	76176
5	Jacket Channel Rails – TCII-17	–	76177
5	Jacket Channel Rails – TCII-18	–	76178