



PeerlessBoilers.com

# Peerless® Series 61/62™

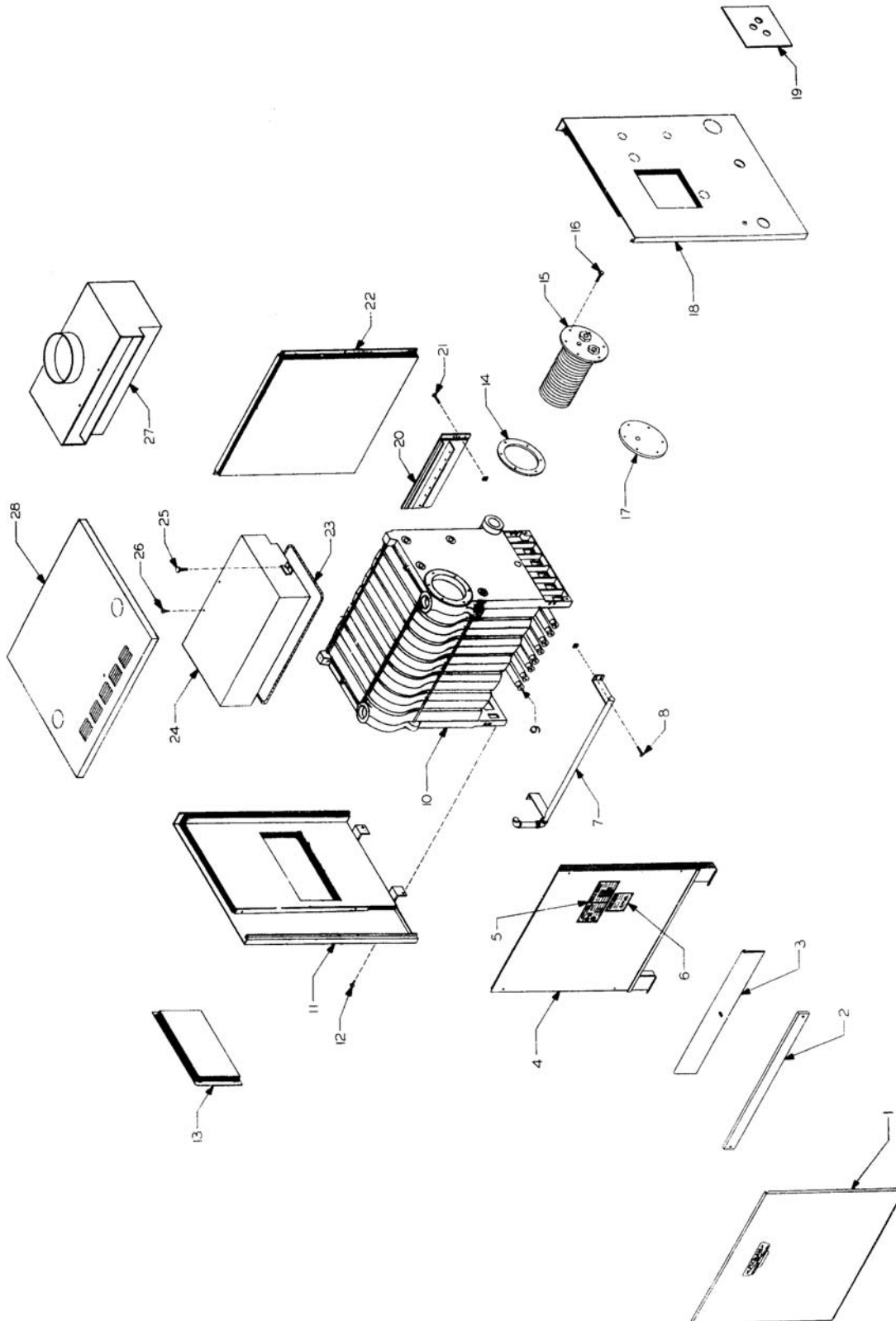
All repair parts orders - no minimum charges.

Please order with code number.

All prices quoted are in U.S. dollars.

All prices subject to change without notice.

**All prices F.O.B. Bally, PA**





PeerlessBoilers.com

# Peerless® Series 61/62™

All repair parts orders - no minimum charges.

Please order with code number.

All prices quoted are in U.S. dollars.

All prices subject to change without notice.

**All prices F.O.B. Bally, PA**

	Description	Quantity Required	Stock Code
-	Jacket Assembly		NOT AVAILABLE
1	Front Door Panel		NOT AVAILABLE
2	Front Jacket, Support		NOT AVAILABLE
3	Cover Door		NOT AVAILABLE
4	Inner Front Panel		NOT AVAILABLE
5	Rating Plate		NOT AVAILABLE
6	ASME Plate		NOT AVAILABLE
7	3/4" Gas Manifold		NOT AVAILABLE
	1" Gas Manifold		NOT AVAILABLE
	1-1/4" Gas Manifold for 62-15		NOT AVAILABLE
8	1/4"-20 X1" Studs & Hardware (Local Hdw Supply)	4	-
9	Steel Burner w/ Pilot Bracket (STDG Q314 - Red)	1	51501
	Steel Burner w/ Pilot Bracket (Spark Q327, Q348 - Blue)	1	51502
	Steel Burner (2 Tubes per Flue)	-	51534
	Intermediate Section - 50 lb. Working Pressure		NOT AVAILABLE
	Left Hand End Section - 50 lb. Working Pressure	-	90084
	Right Hand End Section (open)		NOT AVAILABLE
	Right Hand End Section (closed)		NOT AVAILABLE
	Tapped Intermediate Section - 50 lb. Working Pressure		NOT AVAILABLE
	Complete Block Assembly - 61-03 Standard (open)	1	90935
	Complete Block Assembly - 61-04 Standard (open)		NOT AVAILABLE
	Complete Block Assembly - 61-05 Standard (open)	1	90937
	Complete Block Assembly - 61-06 Standard (open)		NOT AVAILABLE
	Complete Block Assembly - 61-07 Standard (open)		NOT AVAILABLE
	Complete Block Assembly - 61-03 Standard (closed)	1	90200
	Complete Block Assembly - 61-04 Standard (closed)		NOT AVAILABLE
10	Complete Block Assembly - 61-05 Standard (closed)		NOT AVAILABLE
	Complete Block Assembly - 61-06 Standard (closed)	1	90203
	Complete Block Assembly - 61-07 Standard (closed)		NOT AVAILABLE
	Left Hand Block Assembly - 61-08 thru 62-09 - 4 Section		NOT AVAILABLE
	Left Hand Block Assembly - 62-10 - 5 Sections	1	90209
	Left Hand Block Assembly - 62-11 - 6 Sections	1	90210
	Left Hand Block Assembly - 62-12, 62-13 - 7 Section		NOT AVAILABLE
	Left Hand Block Assembly - 62-14, 62-15 - 8 Section		NOT AVAILABLE
	Right Hand Block Assembly - 61-08 - 4 Sections		NOT AVAILABLE
	Right Hand Block Assembly - 62-09 thru 62-12 - 5 Section	1	90205
	Right Hand Block Assembly - 62-13, 62-14 - 6 Section	1	90206
	Right Hand Block Assembly - 62-15 - 7 Sections	1	90207
N/S	#64 Large Push Nipple	1	51546
N/S	#12 Small Push Nipple	1	51543
N/S	5/8" High Temperature Rope - 42" Required Per Joint	4'	55723
11	Left Side Panel		NOT AVAILABLE
12	1/4"-20 X1" Studs & Hardware (Local Hdw Supply)	4	-
13	Clean Out Cover Plate	1	51170
14	Round Cover Plate Gasket	1	51800
15	Tan kless Heater Flange w/ Screws - X-1020	1	90534
16	3/8"-16 X 3/4 Hex Cap (Local Hdw Supply)	6	-
	Steel Cover Plate w/ Gasket & Cap Screws	1	99812
17	Steel Cover Plate w/ Gasket & Screws w/ (2) 3/4" NPT Taps for Limits	1	91477

	Description	Quantity Required	Stock Code
18	Right Side Jacket		NOT AVAILABLE
19	TI Cover Square		NOT AVAILABLE
	Base Back - 61-03 - P155	1	90370
	Base Back - 61-04 - P155-1	1	90371
	Base Back - 61-05 - P155-2	1	90372
20	Base Back - 61-06 - P155-3	1	90373
	Base Back - 61-07 - P155-4	1	90374
	Base Back - 61-08 - P155-5	1	90375
	Base Back - 62-09 - P155-6	1	90376
	Base Back - 62-10 - P155-7	1	90377
	Base Back - 62-11 - P156	1	90378
	Base Back - 62-11 - P156-3	1	90381
	Base Back - 62-12 - P156	1	90378
	Base Back - 62-12 - P156-4	1	90382
20	Base Back - 62-13 - P156-1	1	90379
	Base Back - 62-13 - P156-4	1	90382
	Base Back - 62-14 - P156-1	1	90379
	Base Back - 62-14 - P156-5	1	90383
	Base Back - 62-15 - P156-2	1	90380
21	5/16"-18 X 1-1/4" Studs & Nuts (Local Hdw Supply)	4	-
22	Rear Jacket Panel		NOT AVAILABLE
23	1/2" High Temperature Rope	12	55723
	Flue Collector - 61-03 w/ 1/2"-42" Fiberglass Rope - P503		NOT AVAILABLE
	Flue Collector - 61-04 w/ 1/2"-50" Fiberglass Rope - P503-1		NOT AVAILABLE
	Flue Collector - 61-05 w/ 1/2"-58" Fiberglass Rope - P503-2		NOT AVAILABLE
	Flue Collector - 61-06 w/ 1/2"-66" Fiberglass Rope - P503-3		NOT AVAILABLE
	Flue Collector - 61-07 w/ 1/2"-75" Fiberglass Rope - P503-4		NOT AVAILABLE
	Flue Collector - 61-08 w/ 1/2"-85" Fiberglass Rope - P503-5		NOT AVAILABLE
24	Flue Collector - 62-09 w/ 1/2"-91" Fiberglass Rope - P503-6		NOT AVAILABLE
	Flue Collector - 62-10 w/ 1/2"-99" Fiberglass Rope - P503-7		NOT AVAILABLE
	Flue Collector - 62-11 w/ 1/2"-108" Fiberglass Rope - P503-8		NOT AVAILABLE
	Flue Collector - 62-12 w/ 1/2"-116" Fiberglass Rope - P503-9		NOT AVAILABLE
	Flue Collector - 62-13 w/ 1/2"-124" Fiberglass Rope - P503-10		NOT AVAILABLE
	Flue Collector - 62-14 w/ 1/2"-132" Fiberglass Rope - P503-11		NOT AVAILABLE
	Flue Collector - 62-15 w/ 1/2"-141" Fiberglass Rope - P503-12		NOT AVAILABLE
25	3/8"-16 x 2-1/4" Bolt with Nuts & Washer (Local Hdw Supply)	4	-
26	Slit Screw #10-24 X 1/4", 316 SS (Local Hdw Supply)	4	-
27	Draft Hood		NOT AVAILABLE
	Draw Rods w/ Nuts & Washers - 61-08		NOT AVAILABLE
	Draw Rods w/ Nuts & Washers - 62-09	1	91033
	Draw Rods w/ Nuts & Washers - 62-10	1	91034
	Draw Rods w/ Nuts & Washers - 62-11	1	91035
N/S	Draw Rods w/ Nuts & Washers - 62-12		NOT AVAILABLE
	Draw Rods w/ Nuts & Washers - 62-13	1	91037
	Draw Rods w/ Nuts & Washers - 62-14	1	91038
	Draw Rods w/ Nuts & Washers - 62-15	1	91039
N/S	Draw-Up Clamp Body	2	51146
N/S	Draw-Up Clamp Jaws	4	51148
	Clean Out Cover Plate	1	51170
N/S	1/4" High Temperature Rope - 44" Required	4'	51209



PeerlessBoilers.com

# Peerless® Series 61/62™

All repair parts orders - no minimum charges.

Please order with code number.

All prices quoted are in U.S. dollars.

All prices subject to change without notice.

**All prices F.O.B. Bally, PA**

	Description	Quantity Required	Stock Code	
N/S	Gas Valve – STDG NAT 3-5 – Honeywell VR8200A-21 16	–	50581	
N/S	Gas Valve – STDG NAT 6-7 – Honeywell VR8300A-4003	–	50587	
N/S	Gas Valve – SPRK NAT 3-5 – Honeywell VR8204A-2001	–	50583	
N/S	Gas Valve – SPRK NAT 6-8 – Honeywell VR8304M-4002	–	50589	
N/S	Gas Valve – STDG LP 3-5 – Honeywell VR8200A-21 65	–	50582	
N/S	Gas Valve – STDG LP 6-7 – Honeywell VR8300A-401 1	–	50588	
N/S	Gas Valve – SPRK-1 LP 3-5 – Honeywell VR8204A-2183	–	50584	
N/S	Gas Valve – SPRK-1 LP 6-8 – Honeywell VR8304M-4010	–	50590	
N/S	Gas Valve (3/4) 9-11 – Honeywell V88A-1 659	–	50621	
N/S	Gas Valve (1) 12-15 – Honeywell V88A-1618	–	50618	
N/S	Pilot – SPRK NAT 3-15 – Honeywell Q348A-1 002	–	50558	
N/S	Pilot – STDG NAT 3-8 – Honeywell Q314A-3679	–	50554	
N/S	Pilot – STDG NAT 9-15 – Honeywell Q327A-1 006	–	50556	
N/S	Pilot – STDG LP 3-8 – Honeywell Q314A-3703	–	50555	
N/S	Pilot – SPRK LP 3-8 – Honeywell Q348A-1 358	–	51814	
N/S	Pilot – STDG LP 9-15 – Honeywell Q327A-1 147	–	50557	
N/S	Ignition Cable – Honeywell 394800-30	–	50640	
N/S	Thermal Cut-Off Switch – Therm-O-Disc G4AM_240C	–	51588	
N/S	Ignition Control – NAT – Honeywell S861 0F-1 024	–	50672	
N/S	Steel Burner – X3005	–	51534	
N/S	Thermo Pilot Valve – H1 7CA-1	–	50752	
N/S	Pilot Stat – L62GB-2, Pilot Switch	–	50755	
N/S	Pilot Gas Valve (24 volt) – H91 BG-2 – 24 Volt	–	50754	
N/S	Pilot Gas Valve (120 volt) – H91 BA-3 – 120 Volt	–	50753	
N/S	Transformer, 100VA – Y64T22-0	–	51716	
N/S	Transformer, 40VA – AHR 40281 MM-1 77	–	50791	
N/S	Honeywell Q309A-21 19 (24) 3-6 – Honeywell Q309A-21 19	–	50838	
N/S	K1 5DA-36 (36") – K1 5DA-36	–	50839	
N/S	K1 6BA-60 (60") – K1 6BA-60	–	50840	
<b>Conversion Kit Natural to LP Gas</b>				
N/S	STDG – 6103	–	90872	
N/S	STDG – 6104-6107	–	90873	
N/S	STDG – 6108, 6209-6211	–	90875	
N/S	SPRK – 6103	–	90886	
N/S	SPRK – 6104-6107	–	90887	
N/S	SPRK – 6209-6211	–	90961	
<b>Conversion Kit LP to Natural Gas</b>				
N/S	STDG – 6103	–	90870	
N/S	STDG – 6104-6107	–	90871	
N/S	STDG – 6108, 6209-6211	–	90874	
N/S	SPRK – 6103	–	90884	
N/S	SPRK – 6104-6107	–	90885	
<b>Flue Dampers</b>				
N/S	61 03-4 – Effikal-RVGP-5BK	–	90608	
N/S	6105 – Effikal-RVGP-6BK	–	90609	
N/S	6106 – Effikal-RVGP-7BK	–	90610	
N/S	6107-8 – Effikal-RVGP-8BK	–	90611	



# **Peerless® Series 61/62™**

All repair parts orders - no minimum charges.

Please order with code number.

All prices quoted are in U.S. dollars.

All prices subject to change without notice.

**All prices F.O.B. Bally, PA**

**Blank Page**



PeerlessBoilers.com

# Peerless® Series 61/62™

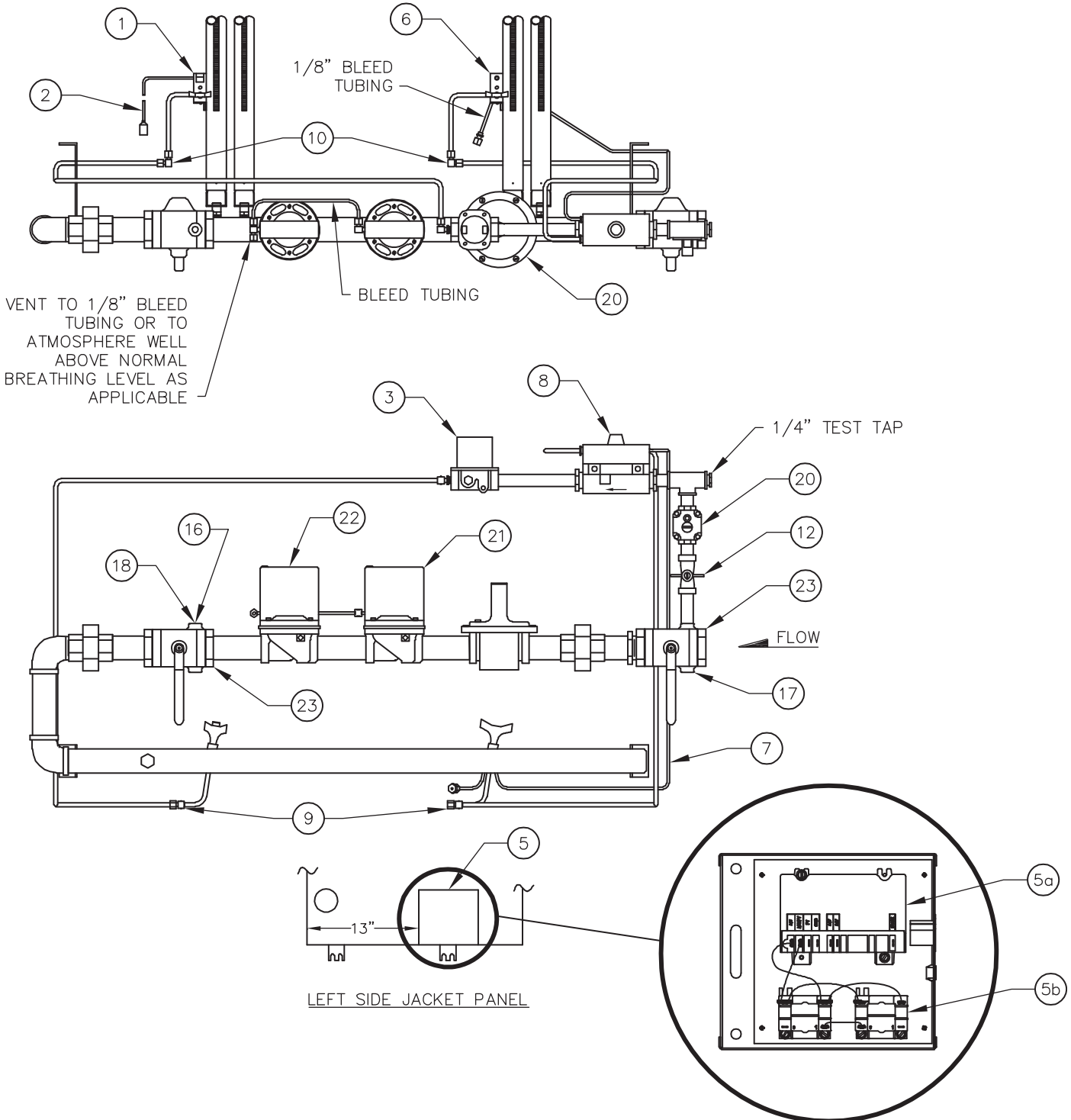
All repair parts orders - no minimum charges.

Please order with code number.

All prices quoted are in U.S. dollars.

All prices subject to change without notice.

**All prices F.O.B. Bally, PA**





PeerlessBoilers.com

# Peerless® Series 61/62™

All repair parts orders - no minimum charges.

Please order with code number.

All prices quoted are in U.S. dollars.

All prices subject to change without notice.

**All prices F.O.B. Bally, PA**

	Description	Quantity Required	Stock Code
<b>Spark HSP Ignition System</b>			
1	Pilot - (HSP) Nat. 0.22 AB Orifice, (HW Q348A)	1	50558
2	*Ignition & Sensing Cable w/32" Green Hi-Temp. Gr. Wire	1	50640
3	24V, *1/4" Pilot Gas valve - (HSP), Johnson H91BG-2	1	50754
5	Ignition Control Mtg. Box	1	X3009
5a	Ign Ctrl Hon S8610M3009	1	50672
5b	*Switching Relay, (for 120V Gas Valves)	2	50566
6	Standing Aux. Pilot , HW Q327A	1	50556
7	Standing Aux. Pilot Thermocouple, Johnson K15DA-36	1	50839
8	3/8" Standing Aux. Pilot Valve, Johnson H17CA-1	1	50752
9	1/4" Pilot Tubing, alum.	1	718
10	1/4" Union Compression, Brass	1	769
11	Transformer - 40VA (obsolete), Not shown	1	50528
	Transformer - 40VA, Not shown	1	50791
	Transformer - 100VA, Not shown	1	51716
N/S	Bleed Clip, Not shown	1	50636
<b>Spark(E/E) Ignition System</b>			
N/S	RM7890A Sprk, Not shown, (OBSOLETE)	1	50658
4b	RM7890A (requires a jumper wire / terminals 3 & 20, & 6 & 7), Not shown	1	50665
N/S	Ignition Transformer (E-E system), Not shown	1	51299
1b	KIT Sprk NAT W/WIRE ASSY	1	90462
3b	120V Pilot Valve 1/4"	1	50753
<b>Standing E-M Ignition System</b>			
4a	RM7890C Stdg, Not shown, Obs.	1	50659
1a	KIT Stdg NAT w/ Wire & Thermocouple Assy	1	90463
N/S	Orifice LP for Stdg Pilot ↑	1	50635
8	3/8" Standing Aux. Pilot Valve Nat & LP	1	50752
6	Standing Aux. Pilot	1	50556
6	Standing Aux. Pilot , LP STDG .014 AB	1	50557
7	36" Lead Thermocouple	1	50839
<b>Misc gas train</b>			
12	1/4" Gas Pilot Shut Off valve	1	50559
13	Not Used	-	-
14	Bleed restrictor, (Main valve bleed) , Not shown	1	50631
15	3/8" Pilot Tubing, alum., Not shown	1	719
16	1/8" Leak test cock Kit w/ plug, fittings assembly, Not shown	1	90957
<b>Gas switches</b>			
17	Low Gas Pressure Switch, MR , (When Used)	1	50700
18	High Gas Pressure Switch, MR, (When Used)	1	50701
19	Vent limit, Not shown	1	50656
<b>Regulators</b>			
20	1/4" Gas Regulator	1	50643
	3/4" Gas Regulator	1	50644
	1" Gas Regulator	1	50645
	1-1/4" Gas Regulator	1	50647
<b>24 Volt Diaphragm Valves</b>			
21-22	3/4" NPT. 24 Volt Diaphragm Valves	1	50621
	1" NPT. 24 Volt Diaphragm Valves	1	50618
	1-1/4" NPT. 24 Volt Diaphragm Valves	1	50619
<b>120 Volt Diaphragm Valves</b>			
21-22	3/4" NPT. 120 Volt Diaphragm Valves	1	50597
	1" NPT. 120 Volt Diaphragm Valves	1	50598
	1-1/4" NPT. 120 Volt Diaphragm Valves	1	50599
<b>120 Volt Solenoid Valves</b>			
21-22	3/4" 120 V Solenoid Gas Valve (Obsolete)	1	50739
	1" NPT. 120 Volt Solenoid Valves	NOT AVAILABLE	
	1-1/4" NPT 120V Solenoid Gas Valve	1	50743
<b>Shut Off Valves</b>			
23	1/4" F X 1/4" F Pilot Ball Valve	1	50599
	1", LH SHUT-OFF	1	51703
	1-1/4", LH SHUT-OFF	2	51704