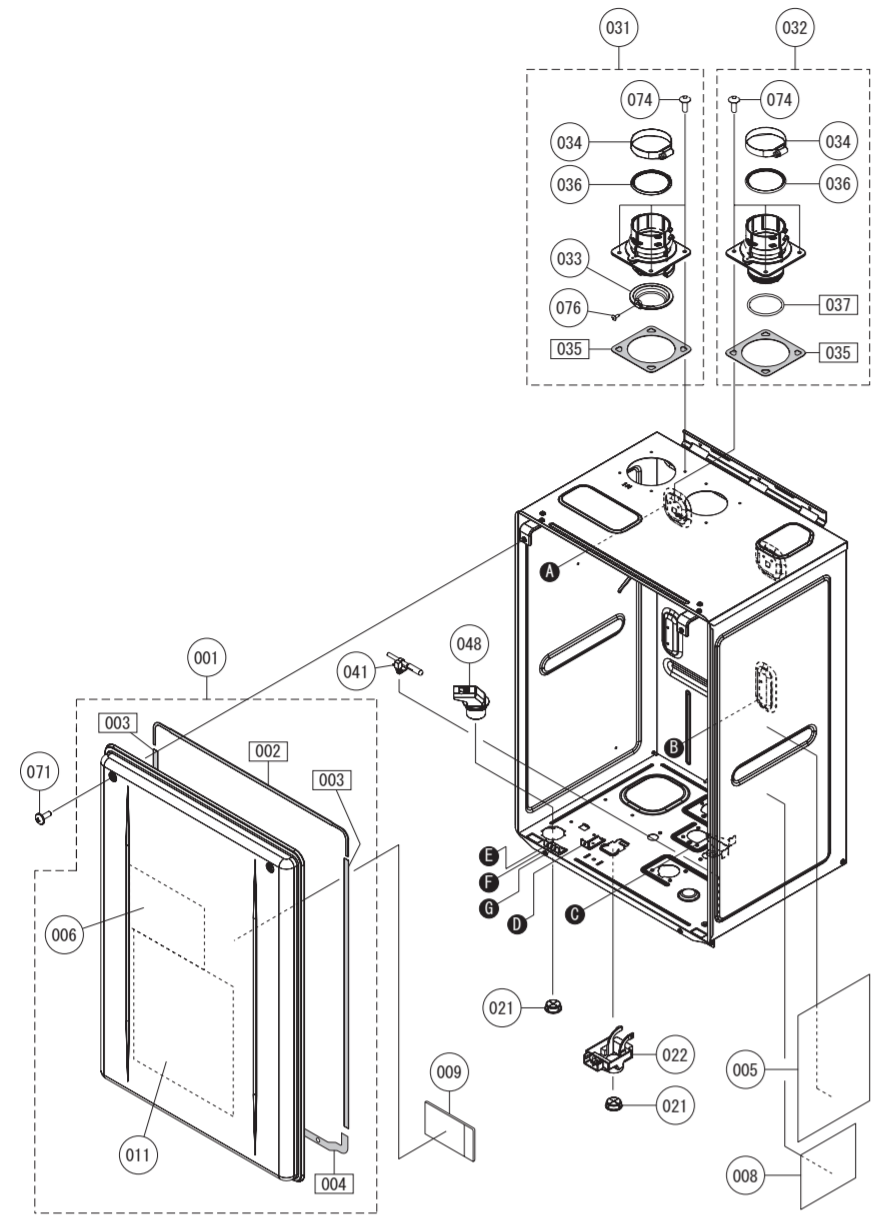


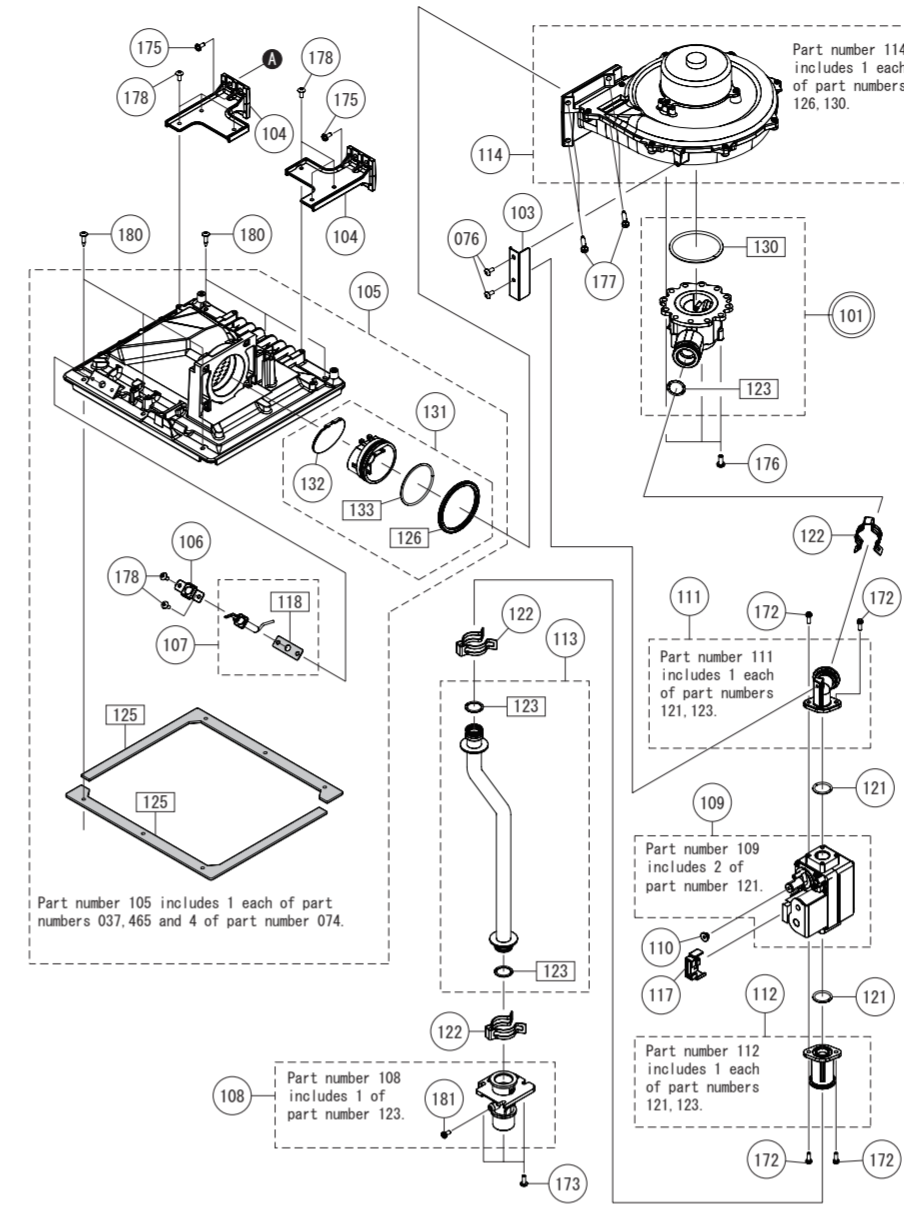
External outfitting Series PR™



External outfitting Series PR™

Part Nos	Part Names	Order Nos	Q'ty/unit
001	Front Cover - 60-C3260WX-FF US	SKJ72M	1 (NCR Series)
002	Front Cover - 60-C3260WX-FF PB US	SKJ72S	1 (PR Series)
003	Gasket - Front Cover Top	FABL011	2
004	Gasket - Front Cover Sides	CVAL004	2
005	Gasket - Front Cover Top and Bottom	APRL015	1
006	Label - Outside Front Cover Caution Label	ELV003	1
008	Label - Inside Front Cover Caution Label	EYS006	1
009	Label - Rating Plate DV/00	FDC151	1
011	Parts List/Technical sheet	FDC251	1
011	Wiring Diagram	FDR002	1
021	Wire Grommet - Rubber	CXPA026	2
022	External Remote Terminal Block	EBTA017	1
031	Intake Flue w/ O-Ring and Gasket (SET)	SKJ71M	1
032	Exhaust Flue w/ O-Ring and Gasket (SET)	SKJ71W	1
033	Filter - Intake Air	FABF101	1
034	Clamp - Exhaust Pipe	FABF108	2
035	O-Ring - Exhaust Pipe	FABL101	2
036	O-Ring - Exhaust Pipe	FABL102	2
037	O-Ring - Exhaust Flue	FABL103	1
041	Thermistor - Air	EZMH101	1
071	Screw - Front Cover with washer MAX12 S410		
074	Screw - Pre-Coated Machined MAX12 S410		
075	Screw - Long Mounting Machine MAX12 S430		
076	Screw - Remote Terminal MAX10 S430		

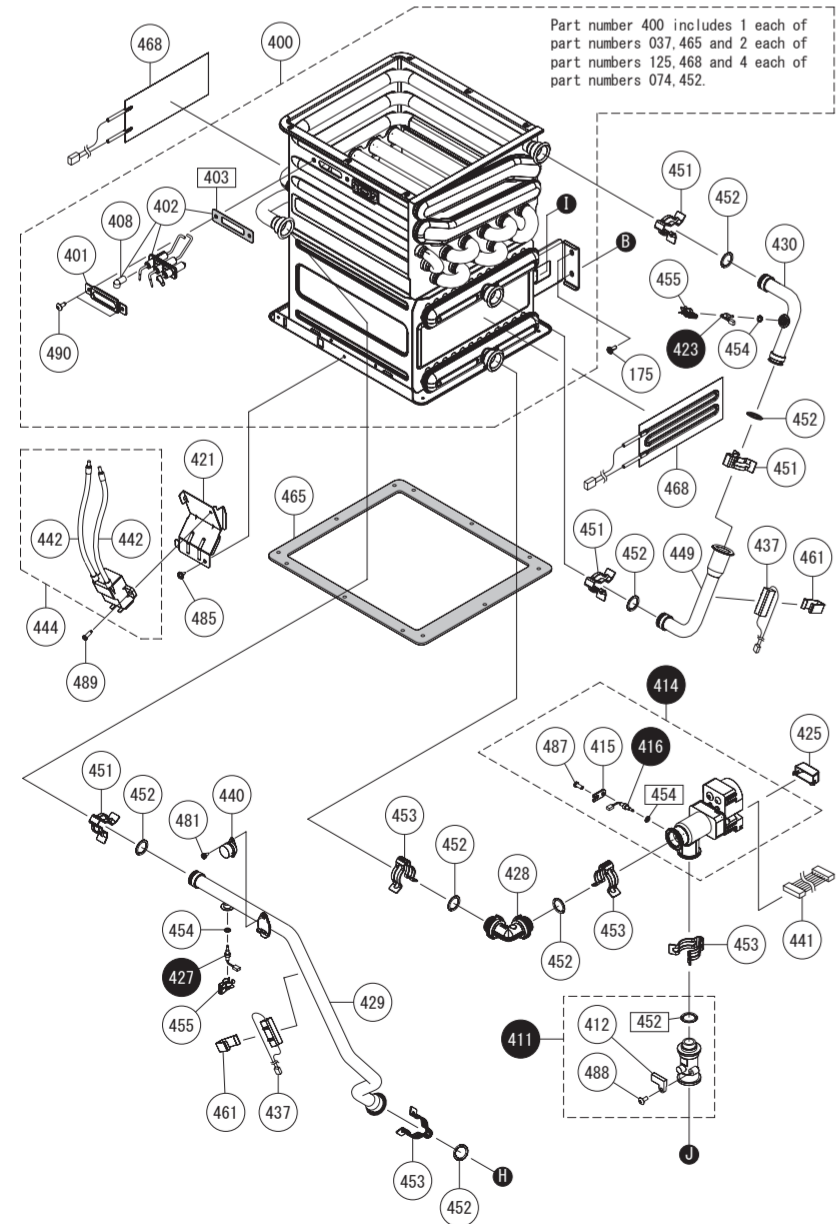
Combustion unit and gas route Series PR™



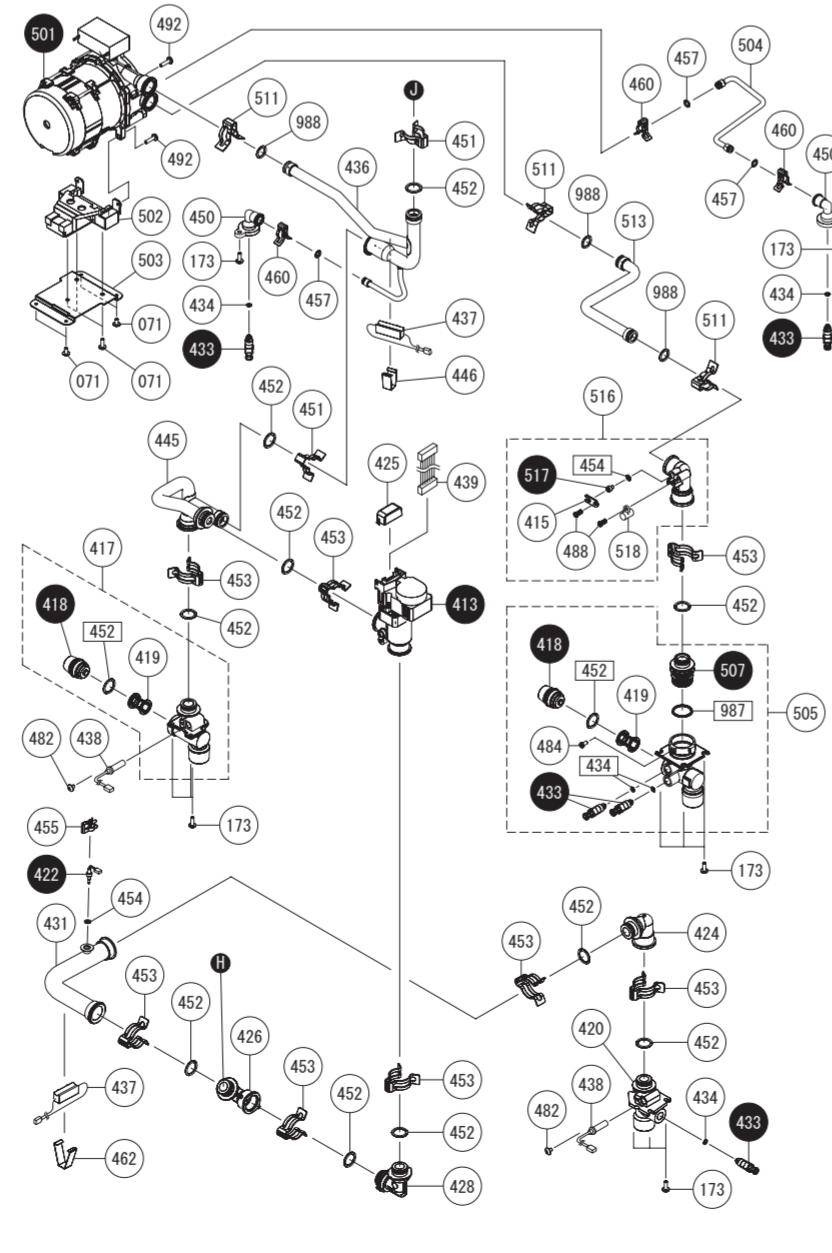
Combustion unit and gas route Series PR™

Part Nos	Part Names	Order Nos	Q'ty/unit
101	Venturi 199kbtuh - LP (SET)	SKJ72K	1 (LP)
103	Venturi 199kbtuh - NG (SET)	SKJ72G	1 (NG)
104	Mounting Plate - Gas Valve	FDA101	1
105	Mounting Plate - Chamber	FAB0031	2
106	Burner Chamber (SET)	SKJ72M4	1
107	Mounting Plate - Flame Lifting Detection	FDA0314	1
108	Flame Lifting Detection w/ Gasket (SET)	SKJ72D	1
109	Inlet Gas Connection w/ Screw (SET)	SKJ71UX	1
110	Gas Valve (SET)	SKJ71W	1
111	Cover - Offset Adjustment	FAB0311	1
112	Gas Valve Outlet Connector (SET)	SKJ72MR	1
113	Gas Valve Inlet Connector (SET)	SKJ71VX	1
114	Gas Pipe (SET)	SKJ72MS	1
117	Fan Motor w/ Housing	SKJ72MS	1
118	Cover - Gas Valve Connector	FABJ032	1
118	Gasket - Flame Lifting Detection	FDAL020	1
121	O-Ring - P20	2192004	2
122	"C" Clamp - 16B	6340407	3
123	O-Ring - P18	2110903	3
125	Gasket - Burner	FDAL002	2
126	Gasket - Chamber Inlet	FDAL004	1
130	O-Ring - Venturi - φ60	FABL017	1
131	Non-return valve (SET)	SKJ72Y1	1
132	Non-return valve cap	FDA0042	1
133	O-ring - Non-return valve	FDAL005	1
172	Screw - Long Mounting Machine with Spring Washer MAX12 S430		
173	Screw - Long Machine MAX12 S410		
175	Screw - Medium Machine 4X10 S410		
176	Screw - Mounting Machine M5X12 S430		
177	Screw - Long Mounting Machine M5X25 S430 Scot		
178	Screw - Medium Machine MAX10 S410 for Aluminum		
179	Screw - Short Machine M3X5 S410 for Aluminum		
180	Screw - Truss Head Self Drilling Tapping MAX18 S410		
181	Screw - Inlet and Manifold Gas M4X8		

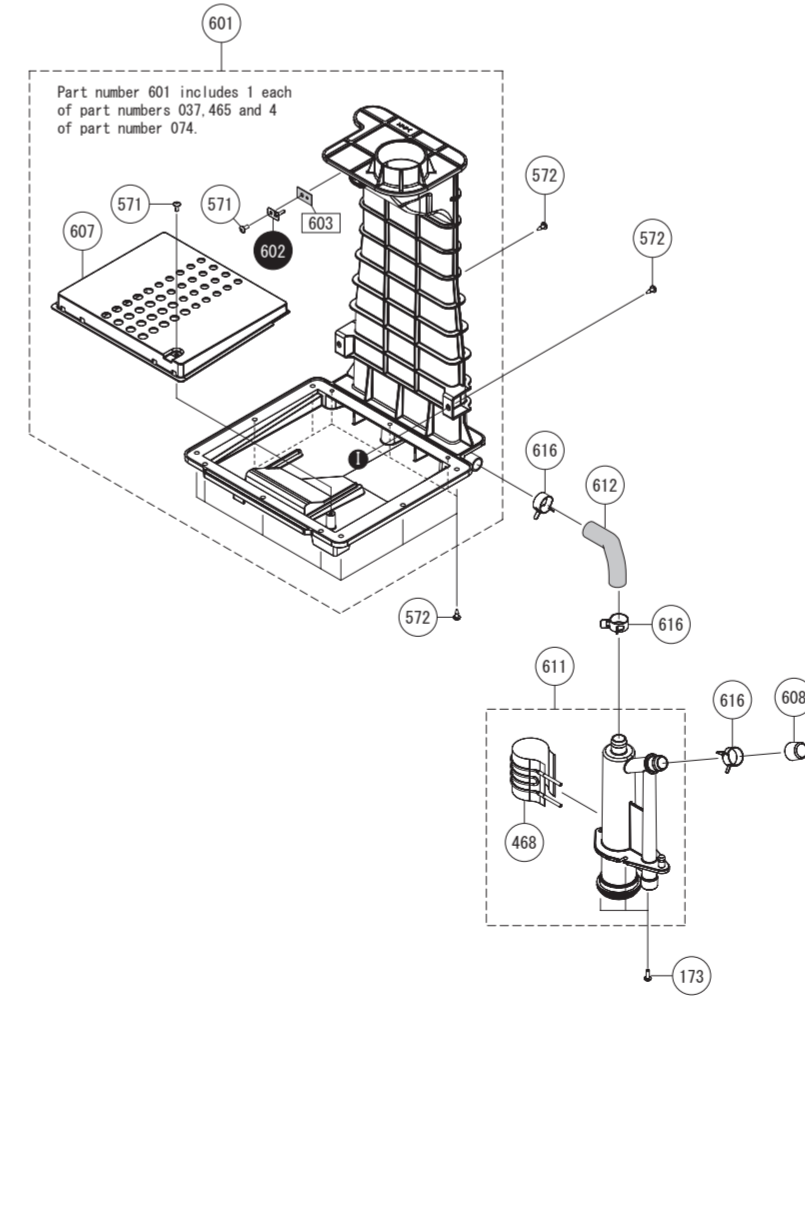
Hot-water feed route 1 Series PR™



Hot-water feed route 2 Series PR™



Condensate feed route Series PR™



Hot-water feed route and Condensate feed route Series PR™

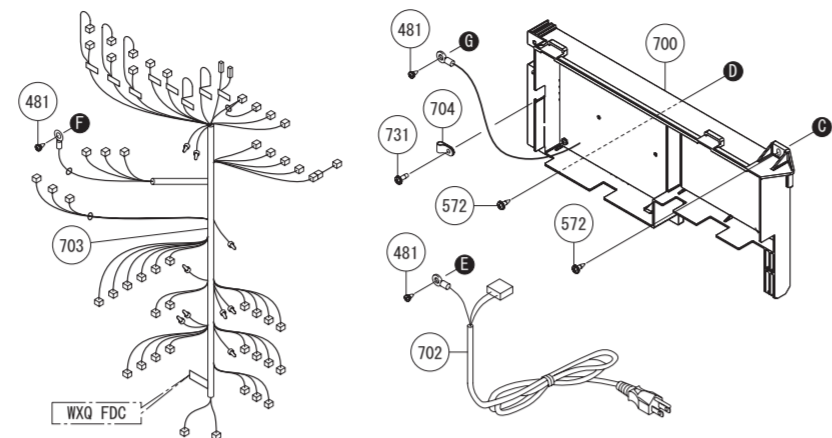
Part Nos	Part Names	Order Nos	Q'ty/unit
401	Heat Exchanger Kit (SET)	SKJ72M	1
402	Mounting Plate - Ignition Plug	FDA0665	1
403	Ignition Plug w/ Gasket	SKJ72MT	1
404	Gasket - Ignition Plug (HEX)	FDAL009	1
411	Silicon Grommet	FDA0052	1
412	Water Flow Sensor (SET)	EBSD101	1
413	Magnetic Sensor	1	
414	Water Servo - Bypass (SET)	ETFD050	1
415	Water Servo - Main (SET)	FBR0011	1
416	Thermistor Holding Plate	2	
417	Thermistor - Red	1	
418	Inlet Water Connection (SET)	1	
419	Water Filter Cap	2	
420	Water Filter	2	
421	Outlet Water Connection	1	
422	Mounting Plate - Igniter	1	
423	Thermistor - Pink	1	
424	Thermistor - Blue	1	
425	Water Connector - Elbow	1	
426	Wire Cover - Servo	2	
427	Water Connector T-Elbow	1	
428	Water Connector - Elbow	1	
429	Pipe - Primary SS HEX to T-Elbow	2	
430	Pipe - Secondary SS HEX to Primary SS HEX	1	
431	Pipe - T-Elbow to Outlet Water Connection	1	
432	Drain Plug	5	
433	O-Ring - High Temp P3	5	
434	Pipe - Inlet Water Connection to Water Flow Sensor	1	
435	Freeze Prevention Heater - Rectangle	4	
436	Freeze Prevention Heater - Round Short	2	
437	Wiring Harness - Bypass Water Servo	1	
438	High Limit Switch - 194	1	
439	Wiring Harness - Main Water Servo	1	
440	High Voltage Igniter Wire L175	2	
441	Igniter (SET)	1	
442	Pipe - Inlet to Bypass Servo SET	1	
443	Clamp - Rectangle Heater	1	
444	Pipe - Secondary SS HEX to Primary SS HEX	1	
445	Drain Connection - 1/4" tube	2	
446	"C" Clamp - Water Pipe 16-25	6	
447	O-Ring - High Temp P16	20	
448	"C" Clamp - Water Pipe 16A	12	
449	O-Ring - Thermistor High Temp P4	5	
450	"C" Clamp - Thermistor	3	
451	O-Ring - High Temp P6	3	
452	"C" Clamp - 1/4" tube 6-13	3	
453	Clamp - Freeze Prevention	2	
454	Clamp - Freeze Prevention	1	
455	Gasket - Exhaust Duct	1	
456	Freeze Prevention Heater - Condensate Container	3	
481	Screw - Small Tapping w/o collar MAX8 S410		
482	Screw - Short Machined MAX6 S410		
484	Screw - Blind Set MAX8 S430		
485	Screw - Short Tapping MAX8 S410		
486	Screw - Medium Machine MAX10 PS550		
487	Screw - Round Head Medium Tapping MAX10 S410		
488	Screw - Round Head Medium Tapping MAX10 S305		
489	Screw - Long Mounting Machine MAX12 S430		
490	Screw - Truss Head Self Drilling Tapping MAX18 S410		
492	Screw - Long Tapping 4X16 S410		

Hot-water feed route and Condensate feed route
 NRRC111DV (GQ-C3260WXQ-FF US) · NRRC92DV (GQ-C2660WXQ-FF US)
 PR199DV (GQ-C3260WXQ-FF PB US)

Part Nos	Part Names	Order Nos	Q'ty/unit
501	Circulation Pump (SET)	SKJ7212	1
502	Mounting Rubber - Pump	FDCA021	1
503	Mounting Plate - Pump	FDCA012	1
504	Connection Pipe - Pump Water Drain	FDCD105	1
505	Return Connection (SET)	FDCD011	1
507	Inlet Water Connection	DJPS012	1
511	"C" Clamp - Water Pipe 13-22	SAD6537	3
513	Return Pipe	FDCD040	1
516	Water Flow Sensor (SET)	EGG0037	1
517	Plug - Water Flow Sensor	AKG0099	1
518	Magnetic Sensor	BEV0006	1
571	Screw - Medium Tapping M4X10 S410		
572	Screw - Long Tapping M4X12 S410		
601	Exhaust Duct (SET)	SKJ72N7	1
602	Theristor - Exhaust	ETHR022	1
603	Gasket - Exhaust Theristor	ETHL004	1
607	Condensate Drainage Plate	FDAF045	1
608	Drain Cap	FABF056	1
611	Condensate Container (SET)	SKJ71NF	1
612	Drain Hose - SS HEX	FDAF051	1
616	Clamp - Condensate Hose NO.45	SAD6536	3

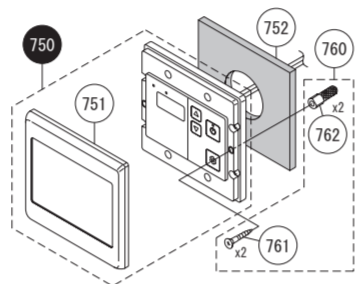
Electronic control unit and Remote controller
 NRRC111DV (GQ-C3260WXQ-FF US) · NRRC92DV (GQ-C2660WXQ-FF US)
 PR199DV (GQ-C3260WXQ-FF PB US)

Electronic control unit



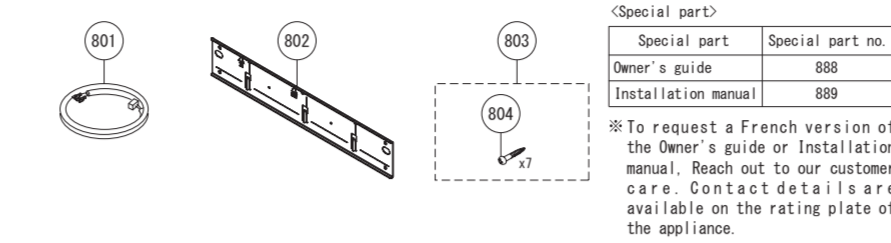
Remote controller

RC-7651M-A US (For NRRC Series)
 RC-7651M-A NB (For PR Series)

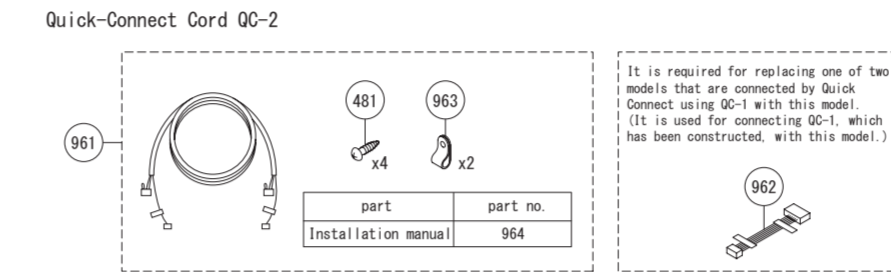


Included Accessories
 NRRC111DV (GQ-C3260WXQ-FF US) · NRRC92DV (GQ-C2660WXQ-FF US)
 PR199DV (GQ-C3260WXQ-FF PB US)

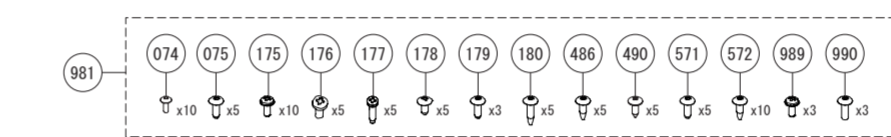
Included Accessories



Optional Accessories



Screw Kit



O-ring Kit



Electronic control unit and Remote controller and Included Accessories
 NRRC111DV (GQ-C3260WXQ-FF US) · NRRC92DV (GQ-C2660WXQ-FF US)
 PR199DV (GQ-C3260WXQ-FF PB US)

Part Nos	Part Names	Order Nos	Q'ty/unit
700	Circuit Board	SKJ72M0	1
702	Power Supply Cord	ERLU001	1
703	Wiring Harness - GQ-C3260WXQ-FF US	SKJ72NB	1
704	Wire Clamp - Nylon #4	7287909	1
731	Screw - Remote Terminal Cover M4X12 S410		
750	Remote Controller - RC-7651M-A US (SET)	SHC71HM	1<NRRC Series>
751	Cover - Remote	SHC71LG	1<PR Series>
752	Mounting Gasket - Remote	QHA013	1
760	Screw Package - Remote(SET)	QHA115	1
761	Screw - Round Head Wood M4.1X25 S305	QQA100	1
762	Dry Wall Anchors6X25		
800	Box - GQ-C3260WXQ-FF US	SKJ72MA	1<NRRC Series>
801	Box - GQ-C3260WXQ-FF PB US	SKJ7277	1<PR Series>
801	Remote Cord - 6ft	ETHM001	1
802	Wall Mounting Plate	FDAA103	1
803	Wood Screw Set7	SAD2028	1
804	Screw - Round Head Wood 4.8X38 S305		
888	Owner's Guide - GQ-C3260WXQ-FF US	SB88167	1<NRRC Series>
888	Owner's Guide - GQ-C3260WXQ-FF PB US	SB8819F	1<PR Series>
889	Installation Manual - GQ-C3260WXQ-FF US	SB88168	1<NRRC Series>
889	Installation Manual - GQ-C3260WXQ-FF PB US	SB8819G	1<PR Series>
961	Quick Connect Cord - QC-2	0706377	1
962	Adaptor - QC-1 to QC-2	SA04672	1
963	Wire Clamp - Nylon #3	7223901	2
964	Installation Manual - QC-2	SA08992	1
981	Screw Kit	SKJ72M0	1
982	O-Ring Kit	SKJ72M1	1
987	O-Ring - High Temp P22	7573308	1
988	O-Ring - High Temp P12.5	3359808	3
989	Screw - Short Mounting Machine with Spring Washer M3X8 S430		
990	Screw - Round Head Short Tapping M3X8 S410		

Procedure for Flushing the Heat Exchanger

This procedure is only intended for use by a qualified service professional or authorized Service Representative. Any unauthorized use of this procedure may result in voiding the warranty. Reach out to our customer care for additional support. Contact details are available on the rating plate of the appliance.

If the alarm code "C1#" is flashing on the Remote Controller, it means there is Scale Build-up in the Heat Exchanger. To prevent damage to the Heat Exchanger from Scale Build-up, the Heat Exchanger needs to be flushed** to remove the Scale Build-up. Damage to the water heater due to Scale Build-up is not covered by the water heater's warranty. To clear the alarm code "C1#" the Heat Exchanger must be flushed. If the alarm code "C1#" is displayed and flashing on the Remote Controller, please contact the contact address of instruction manual.

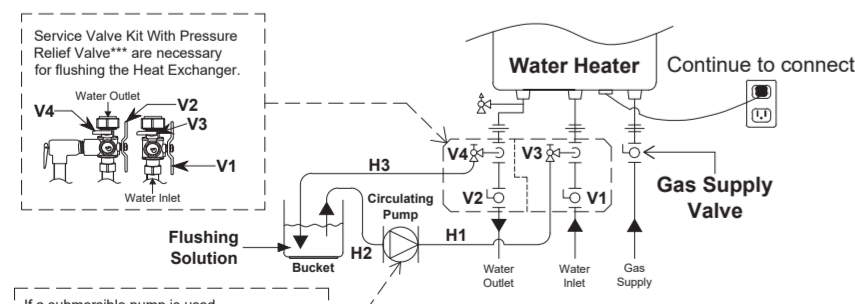
* Warning indication, # = 1-9
 ** Connect the blue connector marked "FLUSH" for flushing near the Circuit Board when flushing the Heat Exchanger.

The water heater must remain connected to electrical power when flushing the Heat Exchanger.

Basic Procedure

<<Procedure 1. The preparation of the flushing system>>

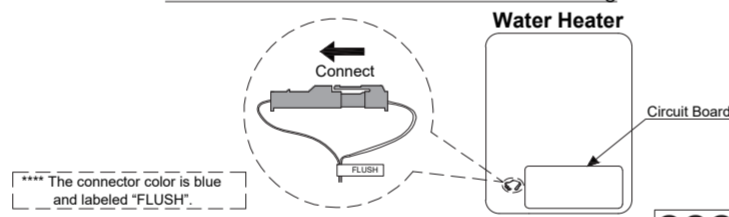
1. Close the gas supply valve.
2. Close the water inlet valve (V1) and the water outlet valve (V2).
3. Connect the one drain hose (H1) to the drain valve (V3), and then the other to the circulating pump.
4. Connect the drain hose (H2) to the circulating pump.
5. Connect the drain hose (H3) to the drain valve (V4).
6. Pour 1 gallon of "Calcium, Lime and Rust Removal Product" and 1 gallon water into the bucket. Recommend "Calcium, Lime and Rust Removal Product" for flushing.
7. Place the both drain hoses (H2 and H3) into the bucket filled with the flushing solution.
8. Open the both drain valves (V3 and V4).



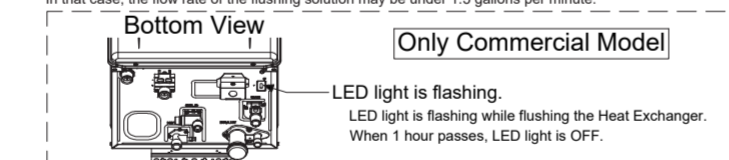
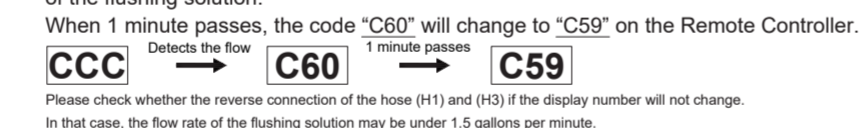
If a submersible pump is used, then only 2 hoses will be needed (H1 and H3).
 *** Service Valve Kit With Pressure Relief Valve may be purchased as an accessory from an authorized wholesaler. They allow for full diagnostic testing and easy flushing of the system. Refer to appliance's installation manual or reach out to our customer care, if more information is needed for flushing. Contact details are available on the rating plate of the appliance.

<<Procedure 2. Flushing the Heat Exchanger - For Single Unit>>

1. Open the Front Cover.
2. Connect the blue connector**** marked "FLUSH" for flushing near the Circuit Board.



3. Then the code "CCC" is displayed on the Remote Controller.
4. Turn on the circulating pump to circulate the flushing solution through the water heater for 1 hour at a rate of 1.5 gallons per minute or more.
5. The code "C60" is displayed on the Remote Controller when the water heater detects the flow of the flushing solution.

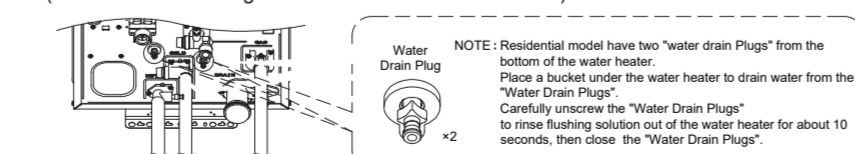


6. When 1 hour passes, the code "C00" is flashing on the Remote Controller. Do not disconnect the blue connector marked "FLUSH" for flushing.
7. Turn off the circulating pump.

<<Procedure 3. Cleaning the Heat Exchanger>>

The flushing solution needs to be rinsed and cleaned out of the water heater. Below is the way to rinse and clean the flushing solution.

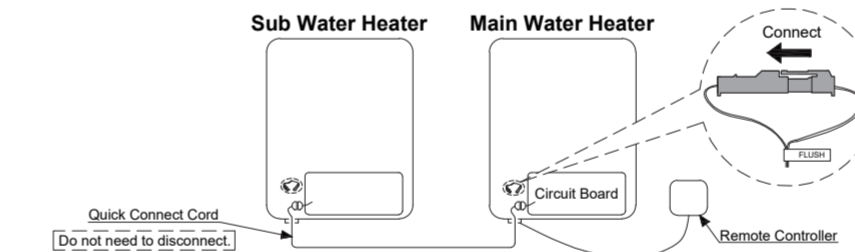
1. Remove both drain hoses (H2 and H3) from the bucket. And then place the drain hose (H3) into the sink or outside to drain.
2. Close the drain valve (V3) and then open the water inlet valve (V1). Do not open the fresh water outlet valve (V2).
3. Clean the water heater with fresh water for 3 minutes or more. (Needs to have enough time to clean the water heater.)



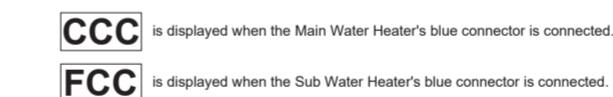
4. Close the drain valve (V4) and then remove the drain hose (H3) from the drain valve (V4).
5. Remove the drain hose (H1) from the drain valve (V3).
6. Disconnect the blue connector marked "FLUSH" for flushing. The code "C00" goes out on the Remote Controller.
7. Close the Front Cover.
8. Open the gas supply valve and water outlet valve (V2).
9. Check for correct operation of the water heater.

In case of the "Quick Connect Multi System Procedure"

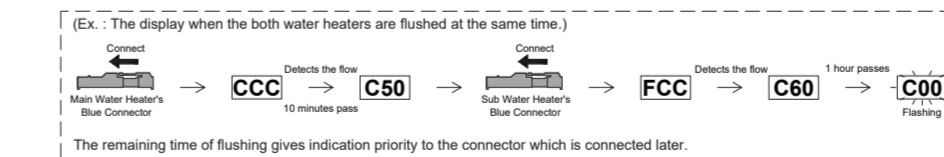
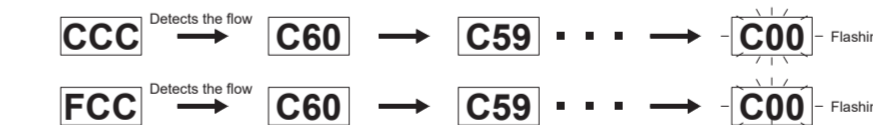
1. Connect the blue connector marked "FLUSH" for unit needing to be flushed. (The water heater is isolated from Quick Connect Multi System when the blue connector marked "FLUSH" is connected. Not need to disconnect the Quick Connect Cord.)



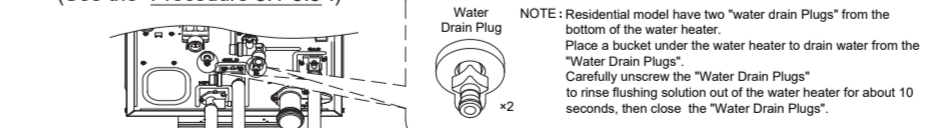
2. Then the code "CCC" or "FCC" is displayed on the Remote Controller.



3. Turn on the circulating pump to circulate the flushing solution through the water heaters for 1 hour at a rate of 1.5 gallons per minute or more. (LED light is flashing while flushing the Heat Exchanger. See the "Procedure 2.5".)
4. When 1 hour passes, the code "C00" is flashing on the Remote Controller. Do not disconnect the blue connector marked "FLUSH" for flushing.



5. Turn off the circulation pump.
6. Rinse and clean the flushing solution out of the water heaters in accordance with "Procedure 3". (See the "Procedure 3.1-3.5".)



7. Disconnect the "blue connector for flushing". The Code "C00" goes out on the Remote Controller.
8. Close the Front Covers.
9. Open the gas supply valves and water outlet valves.
10. Check for correct operation of the water heaters.

Refer to appliance's installation manual or reach out to our customer care, if more information is needed for flushing. Contact details are available on the rating plate of the appliance.