



PeerlessBoilers.com

# Peerless® Series MI-e®

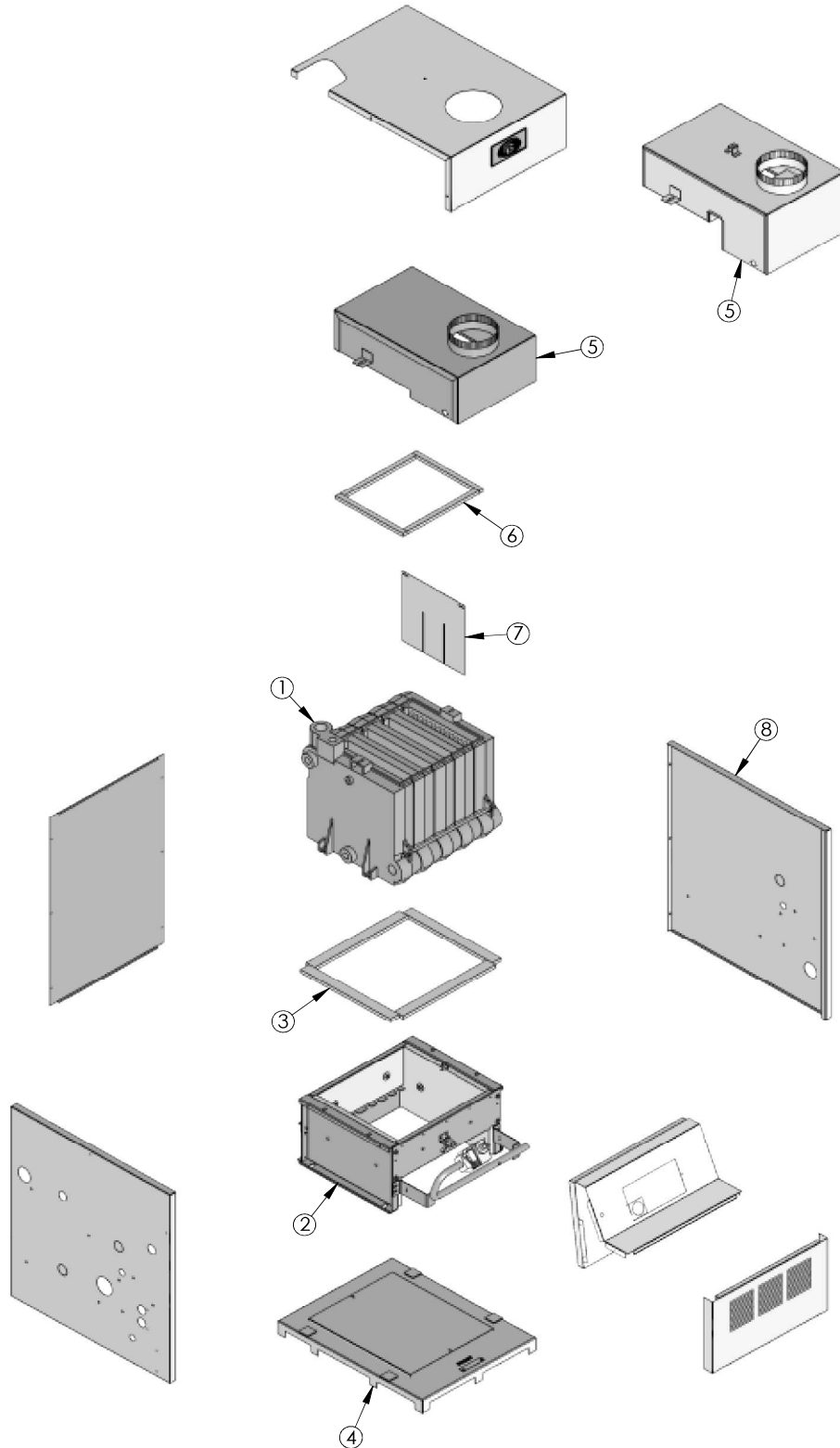
All repair parts orders - no minimum charges.

Please order with code number.

All prices quoted are in U.S. dollars.

All prices subject to change without notice.

All prices F.O.B. Bally, PA





PeerlessBoilers.com

# Peerless® Series MI-e®

All repair parts orders - no minimum charges.

Please order with code number.

All prices quoted are in U.S. dollars.

All prices subject to change without notice.

All prices F.O.B. Bally, PA

|                                     | Description  | Quantity Required | Stock Code |
|-------------------------------------|--|-------------------|------------|
| 1                                   | Block Assembly – MI-e-03   | 1                 | 90419      |
|                                     | Block Assembly – MI-e-04   | 1                 | 90420      |
|                                     | Block Assembly – MI-e-05   | 1                 | 90421      |
|                                     | Block Assembly – MI-e-06   | 1                 | 90422      |
|                                     | Block Assembly – MI-e-07   | 1                 | 90423      |
|                                     | Block Assembly – MI-e-08   | 1                 | 90424      |
|                                     | Block Assembly – MI-e-09   | 1                 | 90425      |
| 2                                   | Base Assembly – MI-e-03  | 1                 | 7800       |
|                                     | Base Assembly – MI-e-04  | 1                 | 7801       |
|                                     | Base Assembly – MI-e-05  | 1                 | 7802       |
|                                     | Base Assembly – MI-e-06  | 1                 | 6600       |
|                                     | Base Assembly – MI-e-07  | 1                 | 6601       |
|                                     | Base Assembly – MI-e-08  | 1                 | 6602       |
|                                     | Base Assembly – MI-e-09  | 1                 | 6603       |
| 3                                   | Base Blanket Seal, (4' to 7')  | 7ft.              | 50867      |
| 4                                   | Combustible Floor Pan Assembly – MI-e-03                                     | ☼                 | 90700      |
|                                     | Combustible Floor Pan Assembly – MI-e-04                                     | ☼                 | 90701      |
|                                     | Combustible Floor Pan Assembly – MI-e-05                                     | ☼                 | 90702      |
|                                     | Combustible Floor Pan Assembly – MI-e-06                                     | ☼                 | 90703      |
|                                     | Combustible Floor Pan Assembly – MI-e-07                                     | ☼                 | 90704      |
|                                     | Combustible Floor Pan Assembly – MI-e-08                                     | ☼                 | 90705      |
|                                     | Combustible Floor Pan Assembly – MI-e-09                                     | ☼                 | 90706      |
| 5                                   | Flue Collector/Draft Hood – MI-e-03  | 1                 | 90510      |
|                                     | Flue Collector/Draft Hood – MI-e-04  | 1                 | 90511      |
|                                     | Flue Collector/Draft Hood – MI-e-05  | 1                 | 90512      |
|                                     | Flue Collector/Draft Hood – MI-e-06  | 1                 | 90513      |
|                                     | Flue Collector/Draft Hood – MI-e-07  | 1                 | 90514      |
|                                     | Flue Collector/Draft Hood – MI-e-08  | 1                 | 90515      |
| 6                                   | Flue Collector Blanket Seal (Flue Collector Blanket Seal 1/2 X 3/4) 4' to 7' | 7.ft              | 50866      |
| 7                                   | Flue Baffle - 8" – MI-e-03   | 2                 | 51608      |
|                                     | Flue Baffle - 8" – MI-e-04   | 3                 | 51608      |
|                                     | Flue Baffle - 8" – MI-e-05   | 4                 | 51608      |
|                                     | Flue Baffle - 8" – MI-e-06   | 5                 | 51608      |
|                                     | Flue Baffle - 8" – MI-e-07   | 6                 | 51608      |
|                                     | Flue Baffle - 8" – MI-e-08   | 7                 | 51608      |
| 8                                   | Flue Baffle - 8" – MI-e-09   | 8                 | 51608      |
|                                     | Jacket Assembly (Complete Jacket*) –MI-e-03                                  | 1                 | 90630      |
|                                     | Jacket Assembly (Complete Jacket*) –MI-e-04                                  | 1                 | 90631      |
|                                     | Jacket Assembly (Complete Jacket*) –MI-e-05                                  | 1                 | 90632      |
|                                     | Jacket Assembly (Complete Jacket*) –MI-e-06                                  | 1                 | 90633      |
|                                     | Jacket Assembly (Complete Jacket*) –MI-e-07                                  | 1                 | 90634      |
| 16A<br>16B<br>16C<br>16D<br>16E-16G | Jacket Assembly (Complete Jacket*) –MI-e-08                                  | 1                 | 90635      |
|                                     | Jacket Assembly (Complete Jacket*) –MI-e-09                                  | 1                 | 90636      |
|                                     | *Complete Jacket Consists of:  |                   |            |
|                                     | Left Side Panel  |                   |            |
|                                     | Right Side Panel   |                   |            |
|                                     | Rear Panel   |                   |            |
|                                     | Top Upper Front Panel, Inner Front Baffle Panel, Removable Front Panel       |                   |            |



# Peerless® Series MI-e®

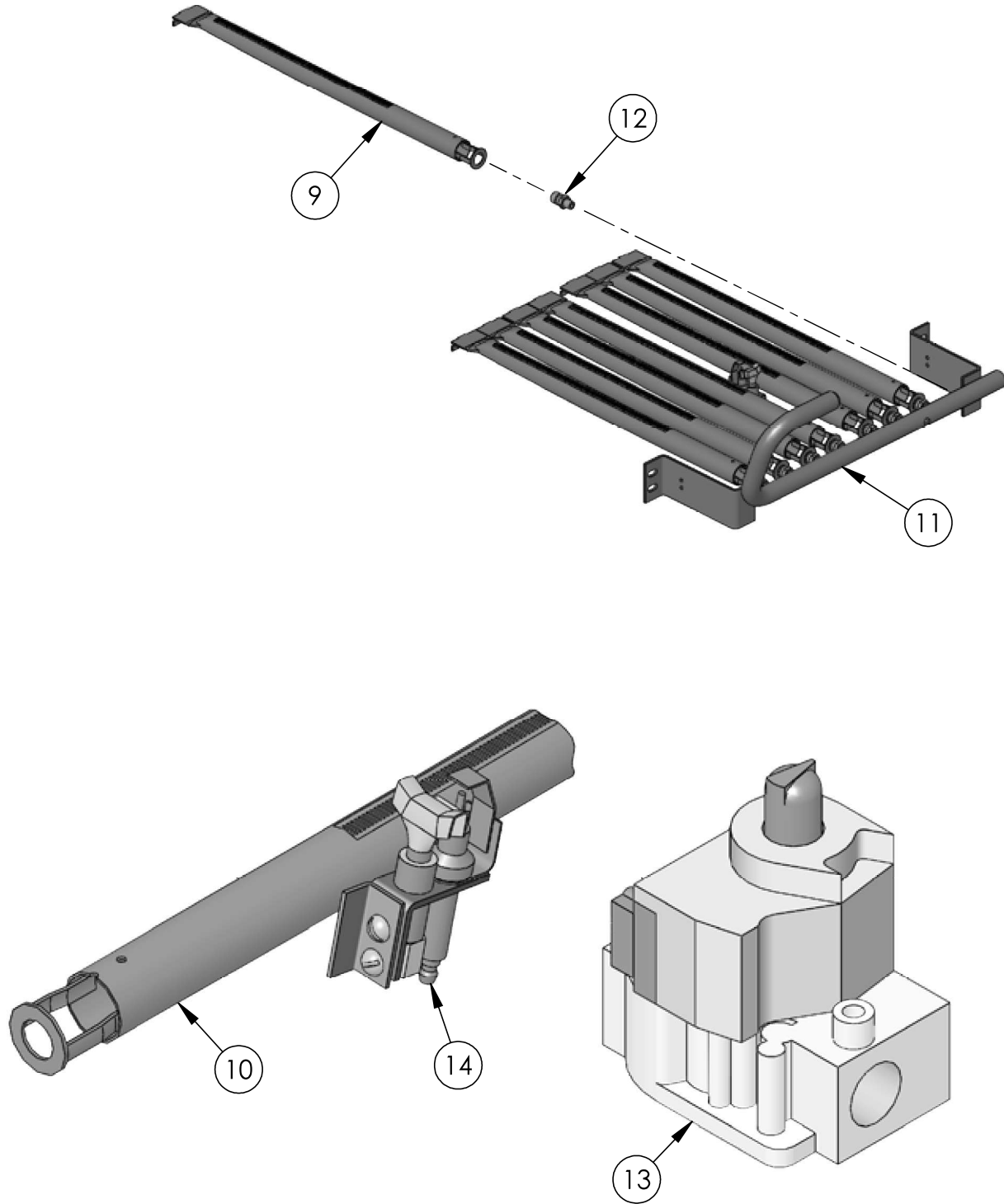
All repair parts orders - no minimum charges.

Please order with code number.

All prices quoted are in U.S. dollars.

All prices subject to change without notice.

All prices F.O.B. Bally, PA





PeerlessBoilers.com

# Peerless® Series MI-e®

All repair parts orders - no minimum charges.

Please order with code number.

All prices quoted are in U.S. dollars.

All prices subject to change without notice.

All prices F.O.B. Bally, PA

|   | Description                                    | Quantity Required  | Stock Code |       |
|---|--|--|------------|-------|
| 9   | Steel Burners – MI-e-03                        | 3  | 51537      |       |
|   | Steel Burners – MI-e-04                        | 5  | 51537      |       |
|   | Steel Burners – MI-e-05                        | 7  | 51537      |       |
|   | Steel Burners – MI-e-06                        | 9  | 51537      |       |
|   | Steel Burners – MI-e-07                        | 11   | 51537      |       |
|   | Steel Burners – MI-e-08                        | 13   | 51537      |       |
|   | Steel Burners – MI-e-09                        | 15   | 51537      |       |
| 10  | Steel Burner w/ Spark Pilot Bracket            | 1  | 51539      |       |
| N/S   | KIT Air Shutters w/Screws (when used), qty. 16 | 1  | 90487      |       |
| 11  | Gas Manifold – MI-e-03                         | 1  | 50978      |       |
|   | Gas Manifold – MI-e-04                         | 1  | 50979      |       |
|   | Gas Manifold – MI-e-05                         | 1  | 50980      |       |
|   | Gas Manifold – MI-e-06                         | 1  | 50981      |       |
|   | Gas Manifold – MI-e-07                         | 1  | 50954      |       |
|   | Gas Manifold – MI-e-08                         | 1  | 50955      |       |
|   | Gas Manifold – MI-e-09                         | 1  | 50956      |       |
| 12  | Orifice Spud, #48 Natural Gas – MI-e-03        | 4  | 50894      |       |
|   | Orifice Spud, #48 Natural Gas – MI-e-04        | 6  |            |       |
|   | Orifice Spud, #48 Natural Gas – MI-e-05        | 8  |            |       |
|   | Orifice Spud, #48 Natural Gas – MI-e-06        | 10   |            |       |
|   | Orifice Spud, #48 Natural Gas – MI-e-07        | 12   |            |       |
|   | Orifice Spud, #48 Natural Gas – MI-e-08        | 14   |            |       |
|   | Orifice Spud, #48 Natural Gas – MI-e-09        | 16   |            |       |
|   | Orifice Spud, #56 Lp Gas – MI-e-03             | 4  | 50899      |       |
|   | Orifice Spud, #56 Lp Gas – MI-e-04             | 6  |            |       |
|   | Orifice Spud, #56 Lp Gas – MI-e-05             | 8  |            |       |
|   | Orifice Spud, #56 Lp Gas – MI-e-06             | 10   |            |       |
|   | Orifice Spud, #56 Lp Gas – MI-e-07             | 12   |            |       |
|   | Orifice Spud, #56 Lp Gas – MI-e-08             | 14   |            |       |
|   | Orifice Spud, #56 Lp Gas – MI-e-09             | 16   |            |       |
|   | 13   | Gas Valve Spark – Natural Gas MI-03 thru MI-05, Honeywell VR8204A-2001       | 1          | 50583 |
|   |  | Gas Valve Spark – Natural Gas MI-03 thru MI-05, White Rodgers 36g33-530 1/2" | 1          | 50797 |
| Gas Valve Spark – Natural Gas MI-06 thru MI-09, Honeywell VR8304M-4002  |  | 1  | 50847      |       |
| Gas Valve Spark – LP Gas MI-03 thru MI-05, Honeywell VR8204A-2103       |  | 1  | 50584      |       |
| Gas Valve Spark - LP Gas MI-03 thru MI-05, White Rodgers 36G33-531 1/2" |  | 1  | 50799      |       |
| Gas Valve Spark – LP Gas MI-06 thru MI-09, Honeywell VR8304P-4314       |  | 1  | 50724      |       |
| 14  | Pilot Assembly for Natural Gas, Q3481B1644     | 1  | 50996      |       |
|   | Pilot Assembly for LP Gas, 3481B-1529          | 1  | 50997      |       |



PeerlessBoilers.com

# Peerless® Series MI-e®

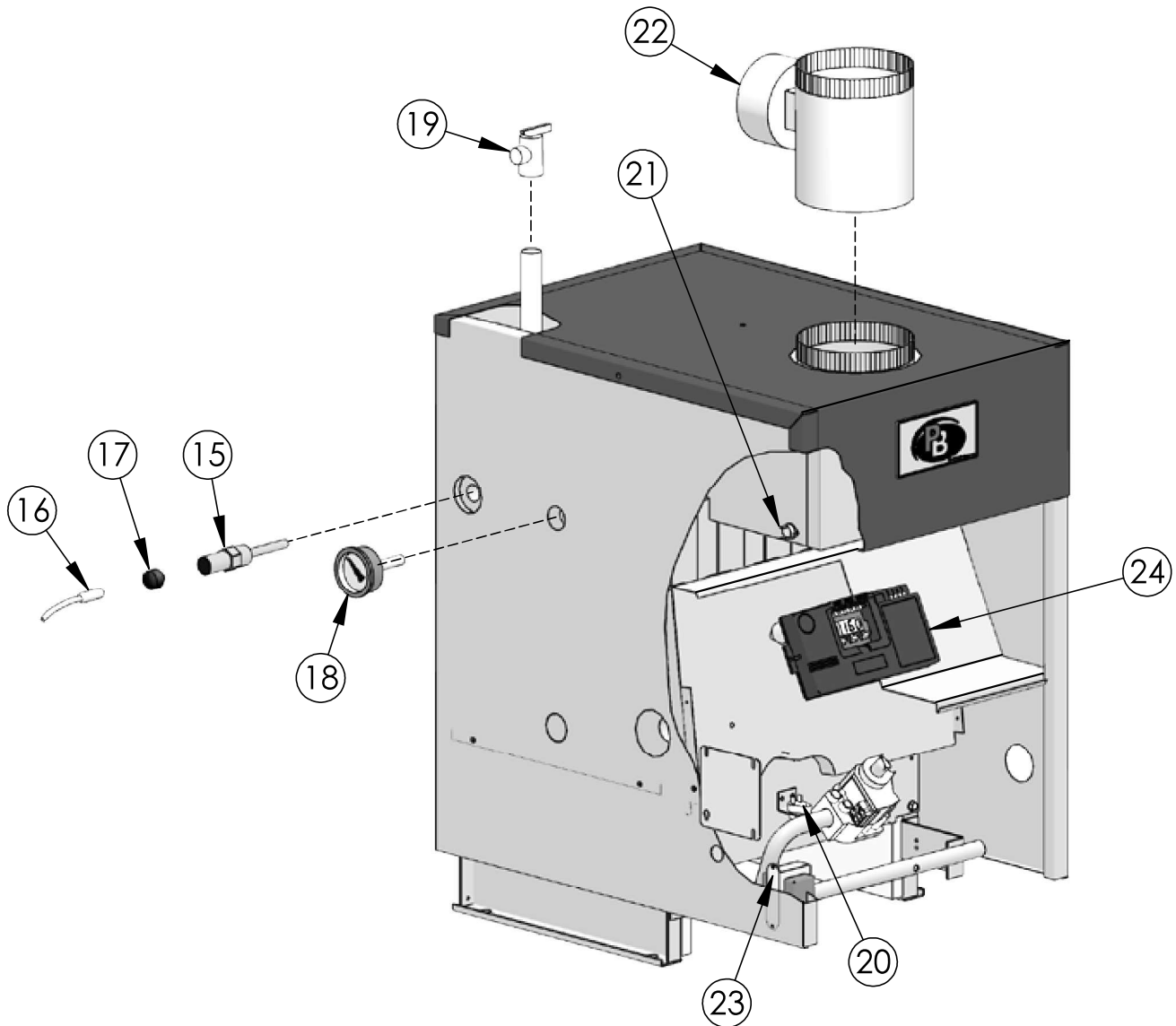
All repair parts orders - no minimum charges.

Please order with code number.

All prices quoted are in U.S. dollars.

All prices subject to change without notice.

All prices F.O.B. Bally, PA





PeerlessBoilers.com

# Peerless® Series MI-e®

All repair parts orders - no minimum charges.

Please order with code number.

All prices quoted are in U.S. dollars.

All prices subject to change without notice.

All prices F.O.B. Bally, PA

|                                  | Description   | Quantity Required | Stock Code |
|----------------------------------|---|-------------------|------------|
| 15                               | WELL 3/4" NPT Well Std Length All Sizes               | 1                 | 50723      |
| 16                               | SENSOR HYDROLEVEL 48" All Sizes                       | 1                 | 50361      |
| 17                               | GROMMET HYDROSTAT 4200 All Sizes                      | 1                 | 50362      |
| 18                               | Temperature-Pressure Gauge All Sizes                  | 1                 | 51324      |
| 19                               | Safety Relief Valve, 30 PSI, Conbraco 10-408-05       | 1                 | 50501      |
|                                  | Safety Relief Valve, 50 PSI, Watts #350               | ☼                 | 51028      |
| 20                               | Flame Roll-Out Safety Shut-Off Switch MI-e All Sizes  | 1                 | 51587      |
| 21                               | Blocked Vent Shut-Off (Spill) Switch – MI-e All Sizes | 1                 | 90593      |
| 22                               | 5" Vent Damper – MI-e-03/04                           | 1                 | 90612      |
|                                  | 6' Vent Damper – MI-e-05/06                           | 1                 | 90613      |
|                                  | 7" Vent Damper – MI-e-07                              | 1                 | 90614      |
|                                  | 8' Vent Damper – MI-e-08/09                           | 1                 | 90615      |
|                                  | Harness Vent Damper MI/MIHII/MI85                     | 1                 | X7132      |
| 23                               | Transformer, 40VA                                     | 1                 | 50359      |
| 24                               | LIMIT HYDROLEVEL 4200 LWCO                            | 1                 | 50360      |
| <b>MI-E Harness</b>              |   |                   |            |
| N/S                              | Wire Harness, Vent Damper, 4 pin to 6 pin             | 1                 | X7132      |
| N/S                              | Wire Harness, Low Voltage, 9 pin                      | 1                 | X7138      |
| N/S                              | Wire Harness, Line Voltage, 5 pin                     | 1                 | X7137      |
| N/S                              | Conversion Kit, MI-e 06-09 SPRK, LP to Nat            | 1                 | X7141      |
| <b>MI-E Fuel Conversion Kits</b> |   |                   |            |
| N/S                              | Conversion Kit, MI-e-03-05 Natural Gas to LP          | –                 | 50902      |
| N/S                              | Conversion Kit, MI-e-03-05 LP to Natural Gas          | –                 | 50903      |
| N/S                              | Conversion Kit, MI-e 06-09 SPRK, Natural Gas to LP    | –                 | 50904      |
| N/S                              | Conversion Kit, MI-e 06-09 SPRK, LP to Natural Gas    | –                 | 50905      |